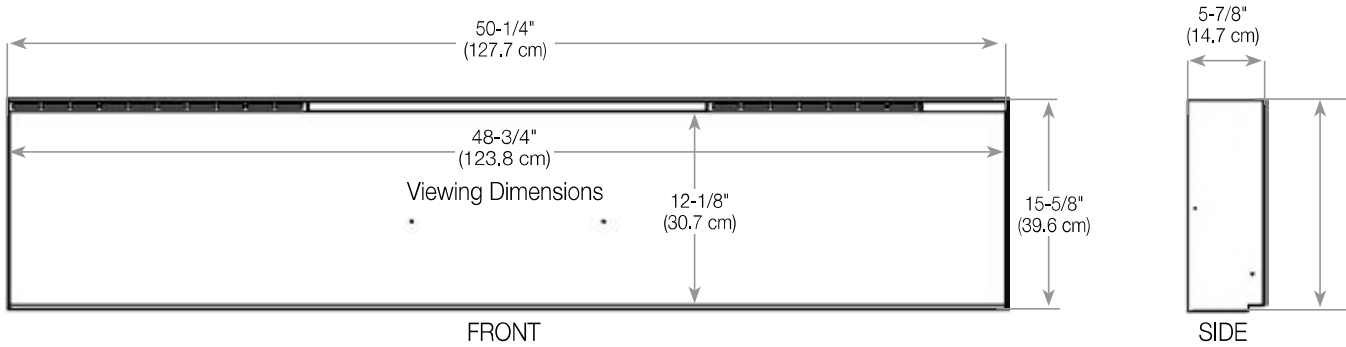


IgniteXL® 50" Linear Electric Fireplace

XLF50

Product Dimensions:

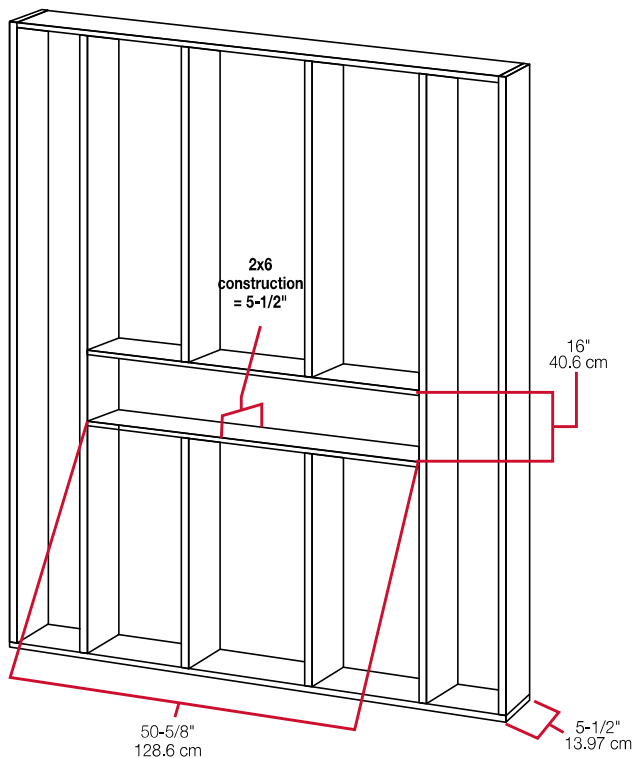


Framing Dimensions

NOTE: The bottom sill needs to be a minimum of 3-1/2" (8,9 cm) deep. The sill can be constructed to support the front of the unit to allow the power supply wires to easily be run behind or flush with the back of the unit and a pass through hole drilled for electrical wire routing.

It is recommended that the bottom of the unit be mounted between 30" (76.2 cm) and 40" (102 cm) from the ground to maintain an optimized viewing angle of the flame.

2x6 framing



2x4 framing

