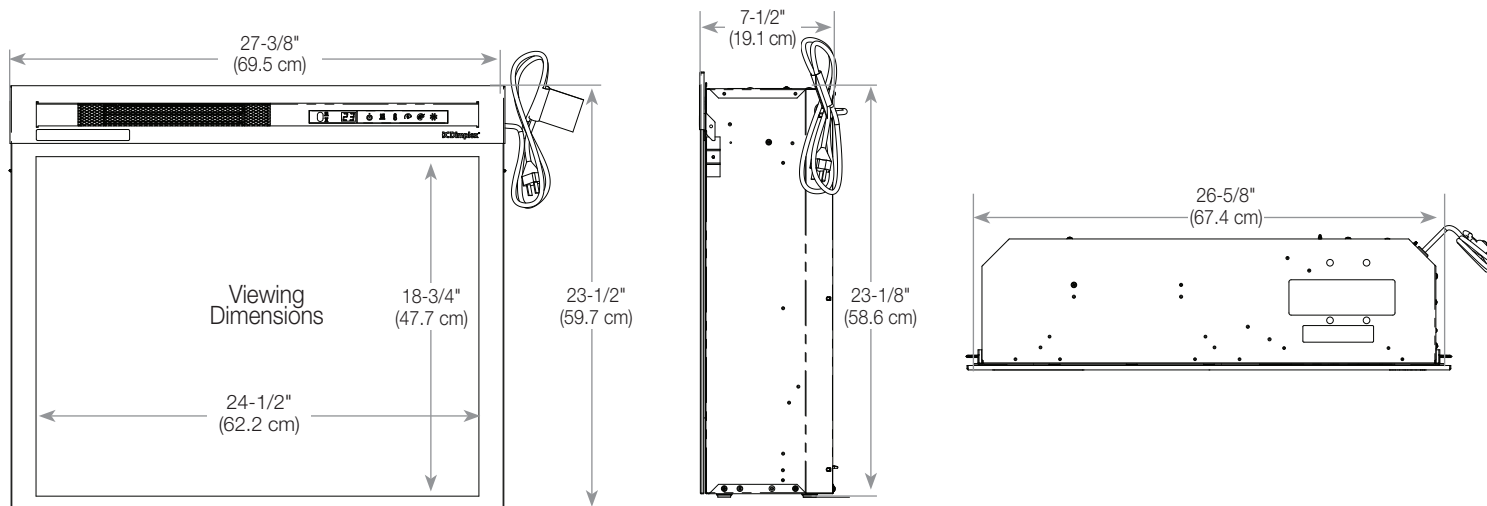


## Multi-Fire XHD™

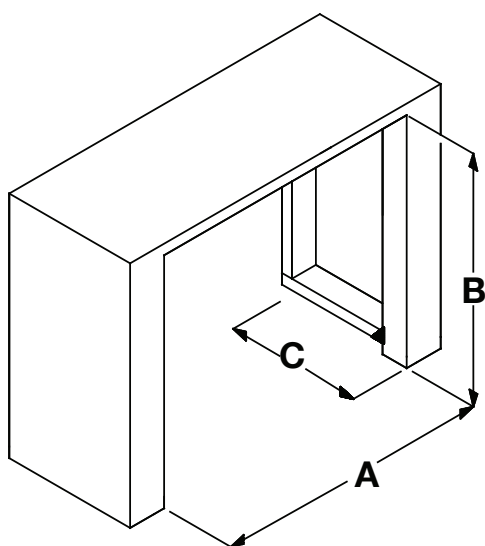
### 28" Plug-in Electric Firebox

XHD28G

#### Product Dimensions:



#### Framing Dimensions:



#### XHD28G

A	B	C
27" (68.6)	23-1/8" (58.7 cm)	8" (20.3 cm)

**NOTE:** The XHD28G Electric Firebox does not require any special venting. Make sure there is clearance for air circulation beneath the unit and at least 1/2" behind it.