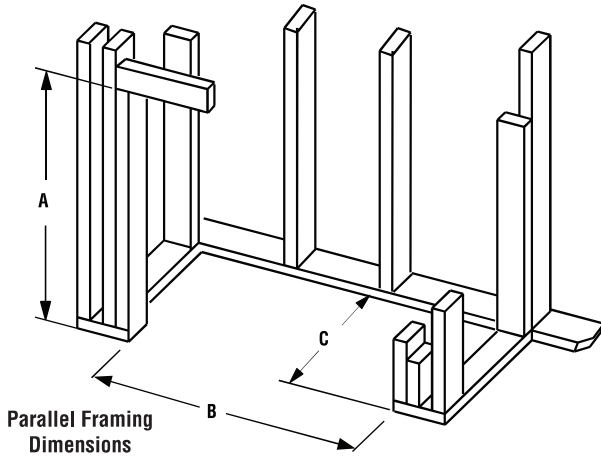


WRT4536 SERIES

INDOOR WOOD-BURNING FIREPLACES

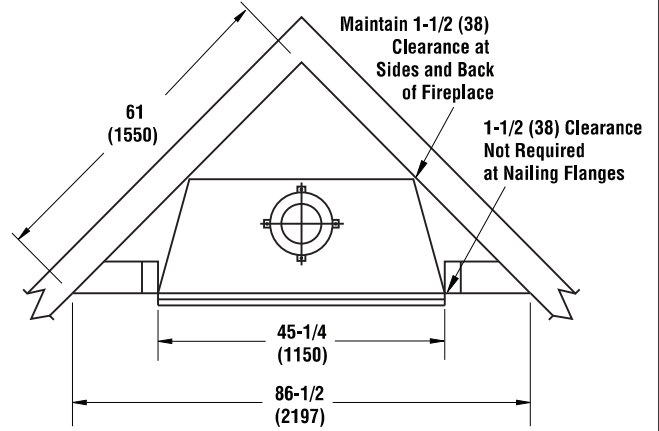
Framing Dimensions



Parallel Framing Dimensions

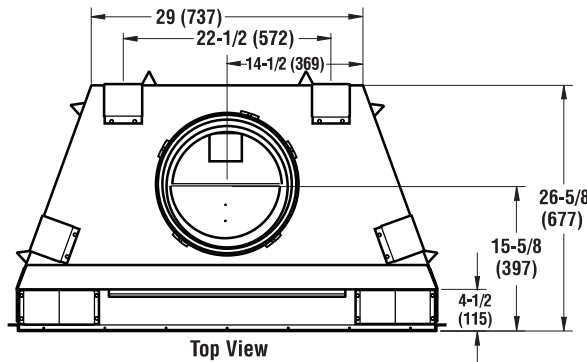
	A	B	C
36" Models	67-1/8 (1705)	45-5/8 (1159)	28-1/4 (718)

Inches (millimeters)

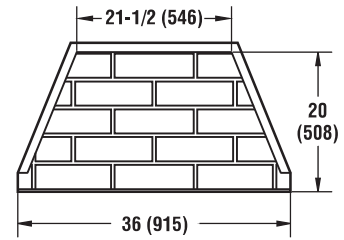


Corner Framing Dimensions

Inches (millimeters)

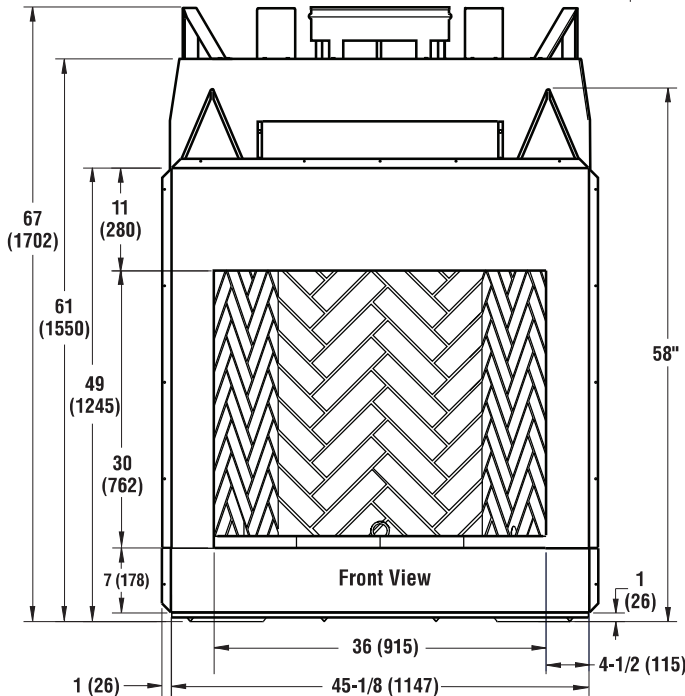


Top View

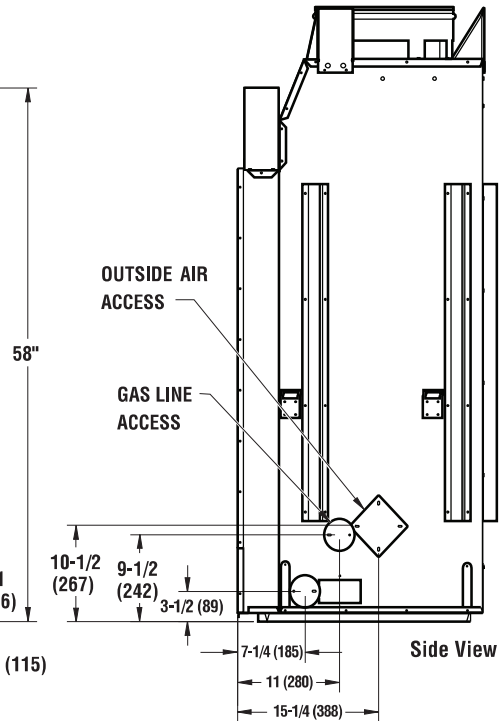


36" HEARTH

Fireplace Dimensions



Front View



Side View

WRT4536 SERIES

Product Information

Product Reference Information			
Cat. No.	Model	Shipping Weight	Shipping Volume
F0620	WRT4536RS	550 lb.	131.5 cu. ft.
F0626	WRT4536WS	550 lb.	131.5 cu. ft.
F0621	WRT4536RH	550 lb.	131.5 cu. ft.
F0627	WRT4536WH	550 lb.	131.5 cu. ft.

Listing Information



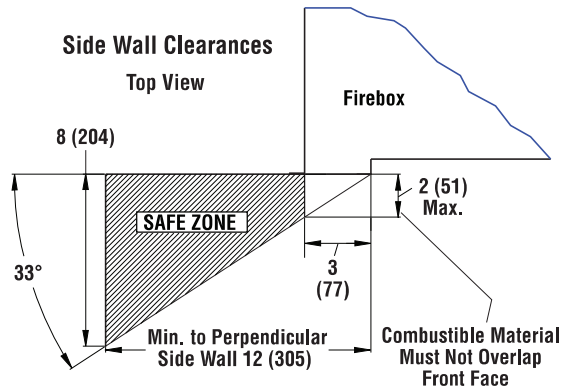
Report No. 10-078

This fireplace has been tested and approved by PFS Corporation under UL127/ULC-S610 standard as a Factory Built Appliance and may be used with gas logs approved to ANSI Z21.60, Z21.84 or Z21.11.2 standards.

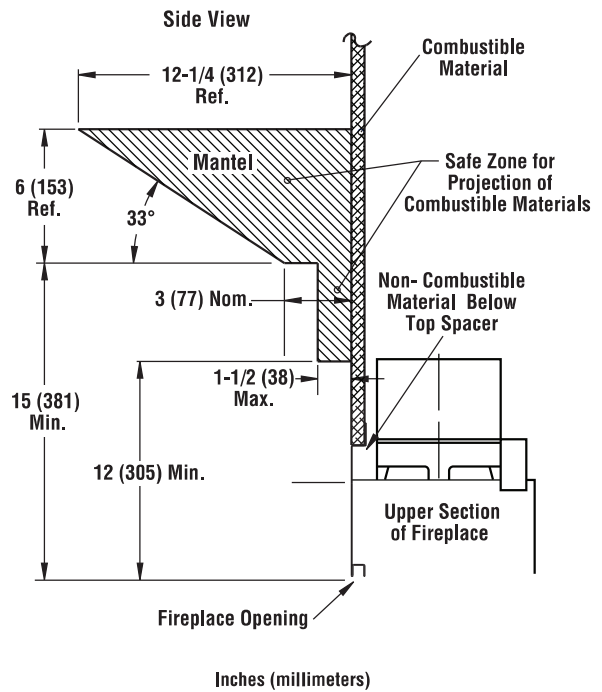
Clearances

Clearances to Combustibles	
Description	Min. Clearance
Back and sides of fireplace	1-1/2 (38)*
Ceiling	42 (1067)
Front of fireplace	48 (1220)
Floor	0 (0)**
Perpendicular wall to opening	12 (305)
Top spacers	0 (0)
Chimney outer pipe surface	1 (26)

* Not required at nailing flanges
 ** See step 2 of Framing in the Installation and Operation Manual



Mantel Clearances



Venting

Venting
 Uses Standard (12DM) and Hi-Temp (12HT) Wood-Burning Chimney. For Canada Use 12HT Chimney

