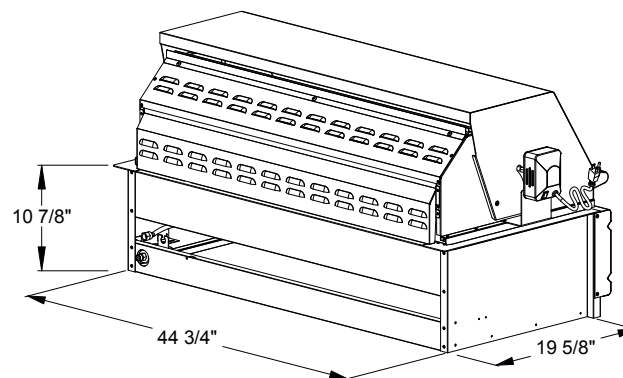
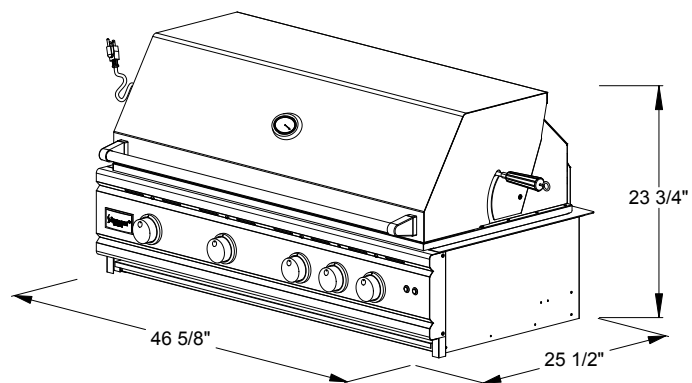


TRL-D 44"

SKU: TRLD44

NOTES



DISCLAIMER

We recommend adding a 1/4" (.25) to the inner dimension to ensure the unit fits properly in the build out.