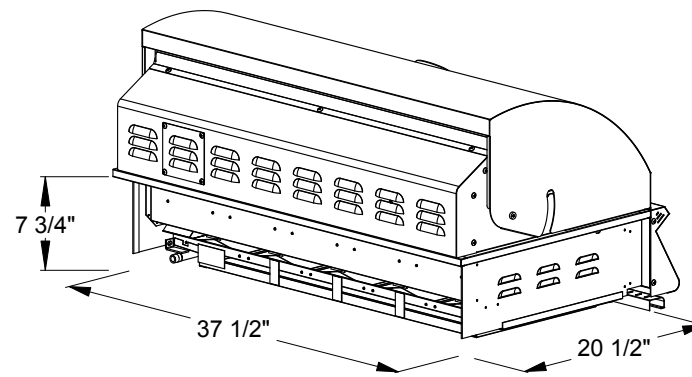
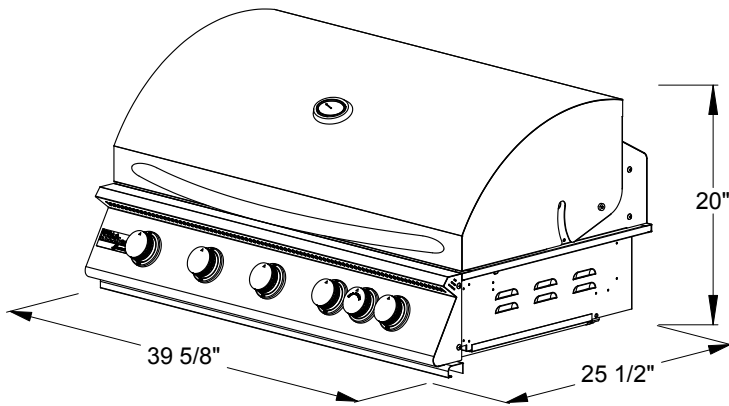


Sizzler 40"

SKU: SIZ40

NOTES



**DISCLAIMER**

We recommend adding a 1/4" (.25) to the inner dimension to ensure the unit fits properly in the build out.