

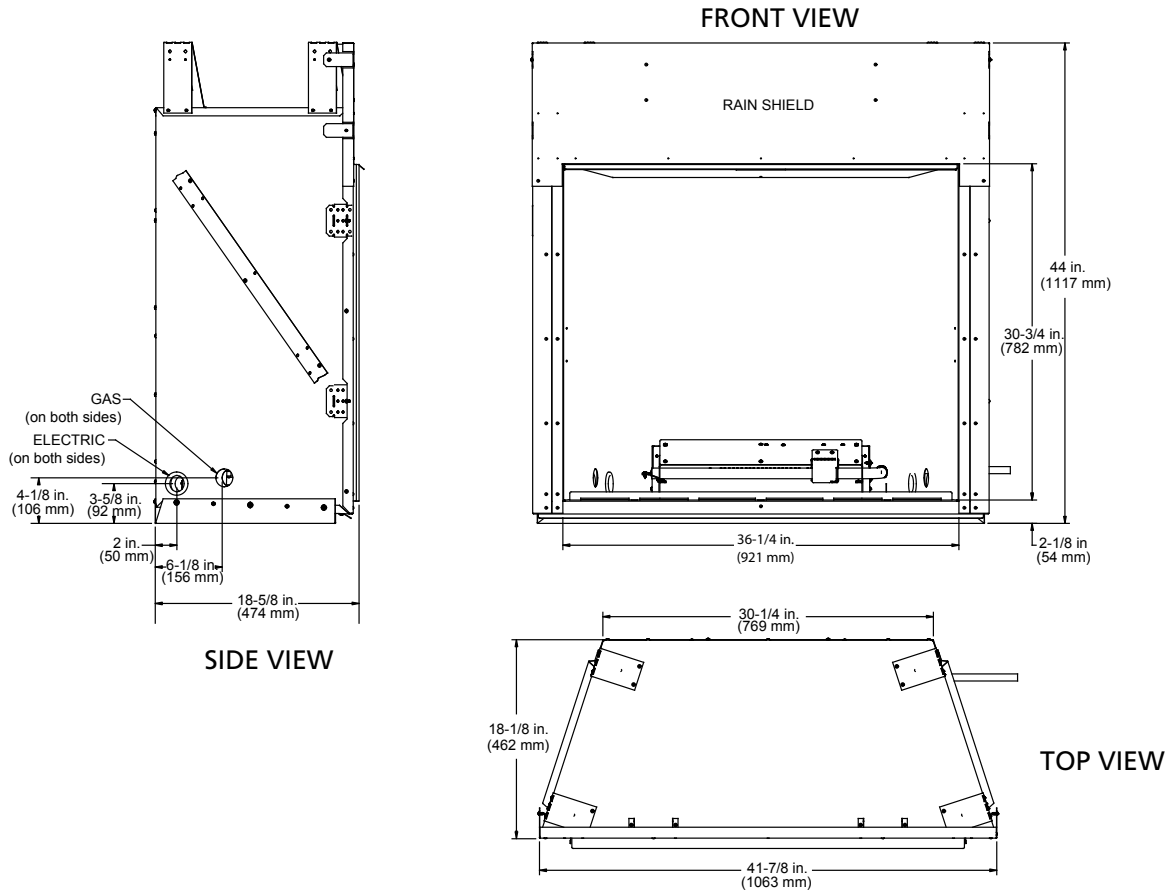


Please consult the manufacturer's installation manual for all details and requirements before making a final design layout decision.

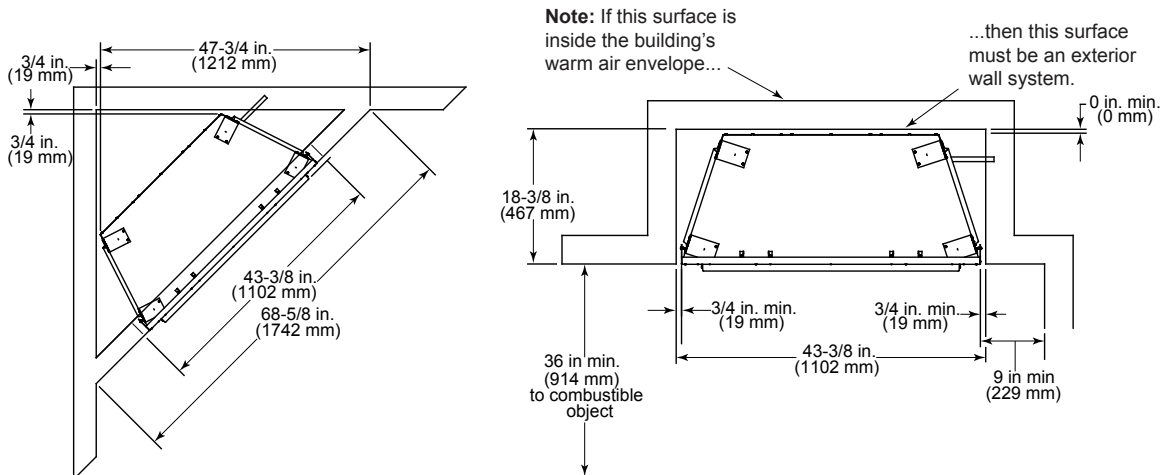
# Courtyard 36

Outdoor Gas Fireplace

MODEL	FRONT WIDTH		BACK WIDTH		HEIGHT		DEPTH		VIEWING AREA
	Actual	Framing	Actual	Framing	Actual	Framing	Actual	Framing	
ODCOUG-36	41-7/8" (1063mm)	43-3/8" (1102mm)	30-1/4" (769mm)	43-3/8" (1102mm)	44" (1117mm)	44-1/8" (1121mm)	18-1/8" (462mm)	18-3/8" (467mm)	36-1/4" x 30-3/4" (921mm x 782mm)

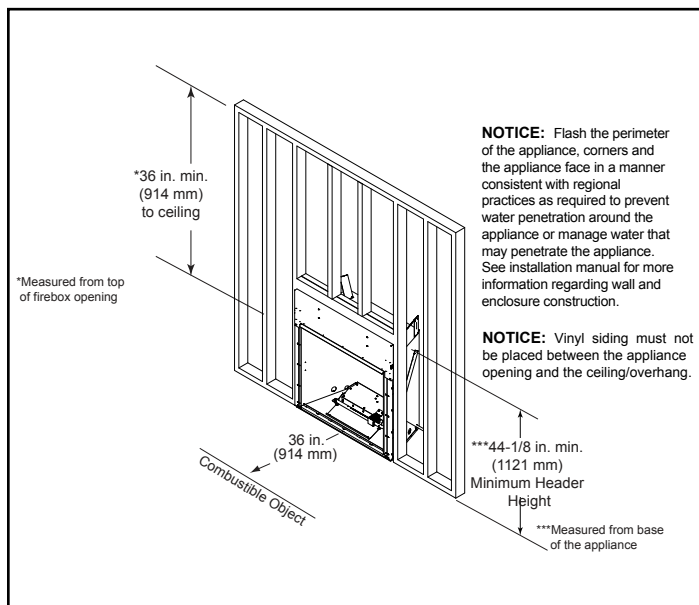


## APPLIANCE LOCATIONS

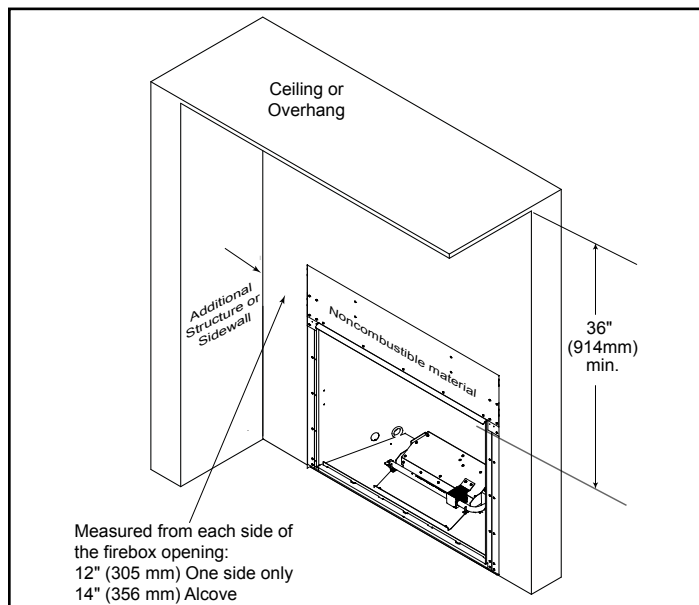


**NOTICE:** Illustrations reflect typical installations and are **FOR DESIGN PURPOSES ONLY**. Illustrations/diagrams are not drawn to scale. Actual installation may vary due to individual design preference.

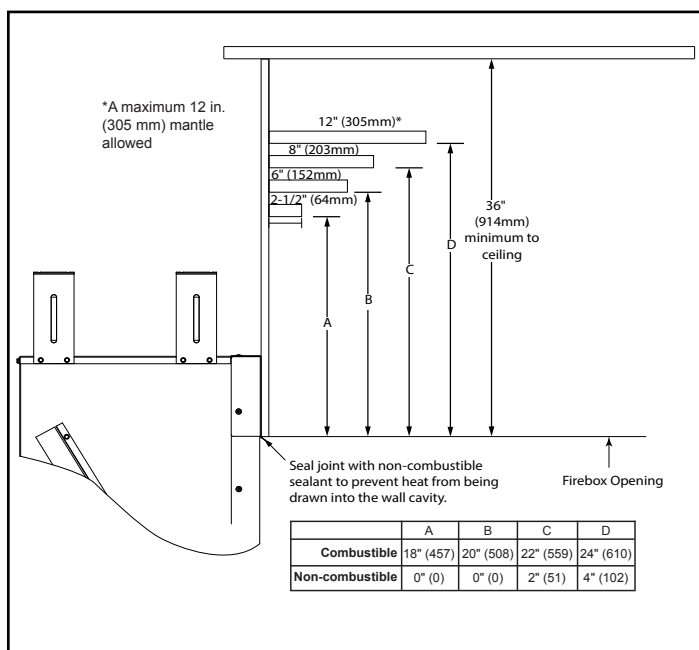
FRAMING DIMENSIONS



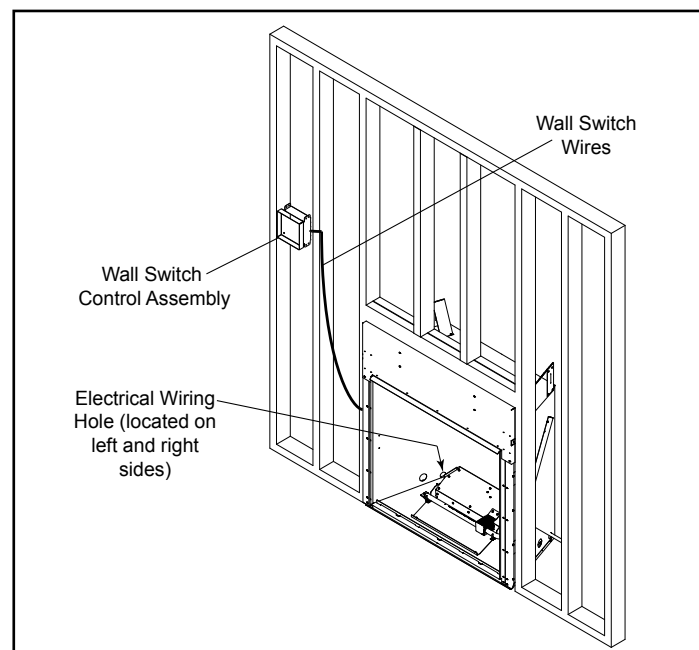
CLEARANCES TO COMBUSTIBLES



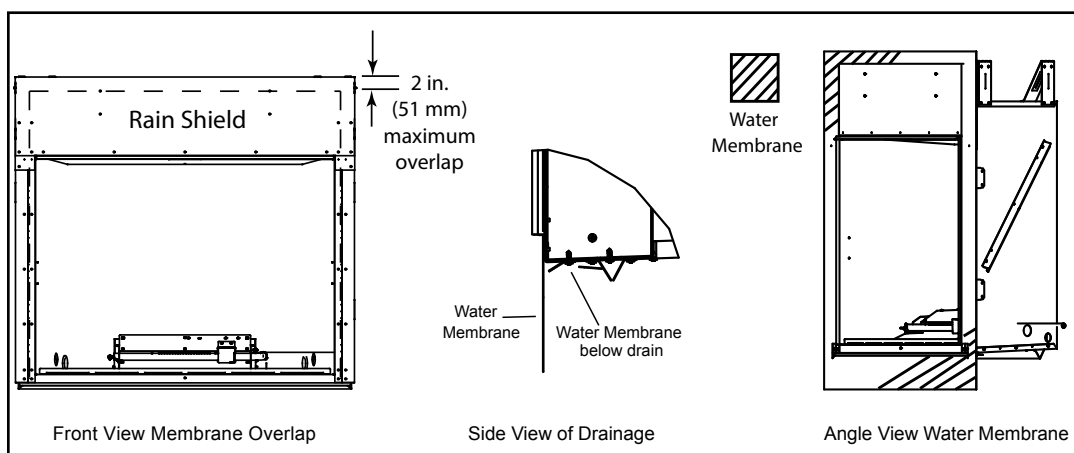
MANTEL PROJECTIONS



WALL SWITCH LOCATION



MOISTURE RESISTANCE



PRODUCT LISTING CODES	
US	ANSI Z21.97-2014
CAN	CSA 2.41-2014

Additional information can be found online at [www.fireplaces.com](http://www.fireplaces.com).

Product information provided is not complete and is subject to change without notice. Product installation must adhere strictly to instructions accompanying product to avoid risk of fire and potential injury.