



Features

- Ventless design
- 304 Stainless steel
- Fans provide zone heating up to 10'

MAHANA
OUTDOOR SERIES

SPECIFICATIONS AND FEATURES

MAHANA
CONTEMPORARY

PL42VO,
PL60VO

Ventless
Outdoor

QUICK DIMENSIONS

	PL42VO		PL60VO	
	UNIT	FRAM.	UNIT	FRAM.
F.WIDTH	29½	42	33½	66
B.WIDTH	19⅞	42	23⅞	66
HEIGHT	20	32½	23¾	29¼
DEPTH	13½	14¾	14½	14¾
VIEWING	24¼ x 14½		28¾ x 18⅞	

Standard

- Concealed burner with Quartz firebeads
- Built in fan system
- Safety screen

Options

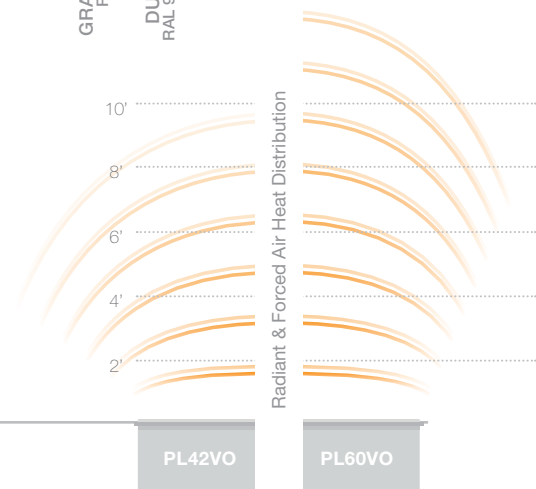
- LED backlighting
- Stainless steel and powdercoated enclosures
- Enclosure pedestal
- Enclosure cover
- Speckled stones, driftwood, glass media
- Remote control on/off



CARBON
RAL 9005

GRAPHITE
RAL 7015

DUNE
RAL 9002

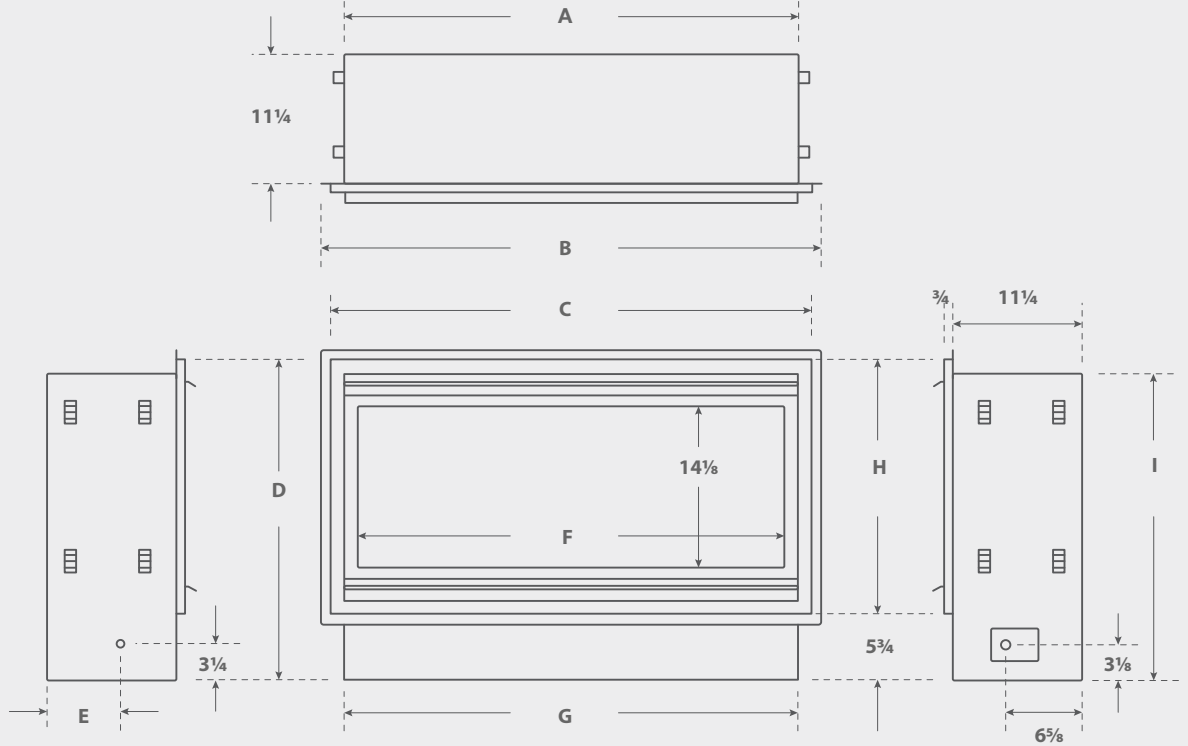


BTU LISTING

PL42VO* / 28,000
PL60VO* / 47,000



MAHANA DIMENSIONS



	A	B	C	D	E	F	G	H	I	J	K
PL42VO	39 ³ / ₈	43 ³ / ₈	42	28	6 ³ / ₈	37 ¹ / ₄	39 ³ / ₈	22 ¹ / ₄	26 ⁷ / ₈	51 ⁵ / ₈	34 ³ / ₈
PL60VO	63 ³ / ₈	67 ³ / ₈	66	28 ⁵ / ₈	4 ⁷ / ₈	61 ¹ / ₄	63 ³ / ₈	22 ³ / ₈	27 ¹ / ₄	76 ⁵ / ₈	35 ³ / ₈

For enclosure dimensions please reference framing dimensions page



MONTIGO / MAHANA / PL60VO / QUARTZ FIREBEADS /

Features

Listed for wood frame construction and facing

Mount a TV directly above the fireplace



OPTIONS & FEATURES



ENCLOSURES PLVOBE**



ENCLOSURE PEDESTAL PL**VOBE-P



ENCLOSURE COVER PL**CVR



LED BACKLIGHTING PLVOBE**

REMOTE ON/OFF RXM40VACVO

Unit Specifications

Icon Legend

AVAILABLE +

NOT AVAILABLE -

DEDICATED ◊

STANDARD ○

	BTU Natural Gas	BTU Liquid Propane	Clearance Top	Clearance Sides	Clearance Back	Clearance Floor	Standard media	Front glass type	Powervent	Remote control	Fans	Uplighting	Downlighting
H34VO**	26,000	26,000	9	1	1	0	Traditional	Tempered	-	-	-	-	-
H38VO**	34,000	34,000	9	1	1	0	Traditional	Tempered	-	-	-	-	-
HL38VO**	34,000	34,000	9	1	1	0	HW1157	Tempered	-	-	-	-	-
H38SVO**	34,000	34,000	36	12	N/A	0	Traditional	Tempered	-	-	-	-	-
HL38SVO**	34,000	34,000	36	12	N/A	0	HW1157	Tempered	-	-	-	-	-
H42VO**	40,000	40,000	9	1	1	0	Traditional	Tempered	-	-	-	-	-
PL42VO*	28,000	28,000	0	1	0	0	HW1106	Tempered	-	-	◊	-	-
PL60VO*	47,000	47,000	0	1	0	0	HW1106	Tempered	-	-	◊	-	-

DIVINE OUTDOOR FRAMING

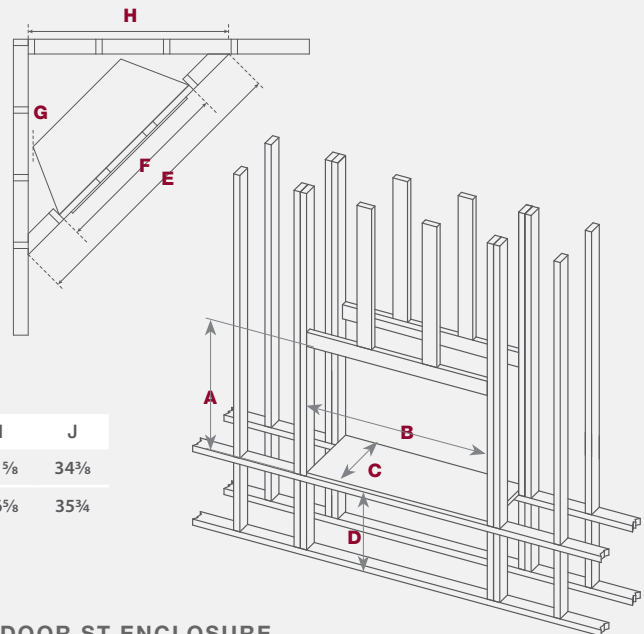
	A	B	C	D	E	F	G	H
H34VO	40 ³ / ₈	33 ³ / ₈	20 ³ / ₄ [†]	12*	61 ⁵ / ₈	33 ³ / ₈	1	43 ⁵ / ₈
H38VO	40 ³ / ₈	37 ⁷ / ₈	21 [†]	12*	65 ⁵ / ₈	37 ⁷ / ₈	1	49 ¹ / ₁₆
H42VO	46 ³ / ₄	42	22 ⁵ / ₈ [†]	12*	72 ¹ / ₄	42	1	51 ¹ / ₁₆

DIVINE OUTDOOR ST FRAMING

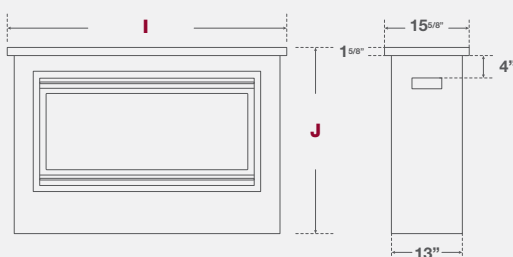
	A	B	C	D
H38SVO	38	41	23 ⁷ / ₈	12*

MAHANA FRAMING AND ENCLOSURE

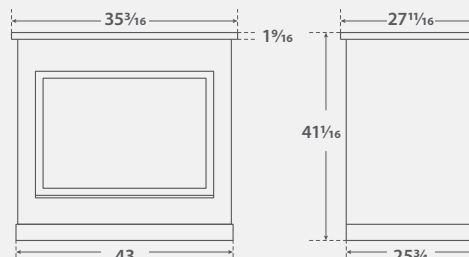
	A	B	C	D	E	F	G	H	I	J
PL42VO	27 ¹ / ₂	42	14 ³ / ₄	12*	62 ⁷ / ₁₆	42 ⁷ / ₈	0	48 ⁷ / ₈	51 ⁵ / ₈	34 ³ / ₈
PL60VO	27 ¹ / ₂	66	14 ³ / ₄	12*	87	67	0	65 ¹ / ₂	76 ⁵ / ₈	35 ³ / ₄



MAHANA ENCLOSURE



DIVINE OUTDOOR ST ENCLOSURE



See instruction manual for detailed instructions

Be sure to plan a drain system for both in the wall and standalone installations.

*Measurement above grade for US installations

[†]Dimension is to back wall or back studs