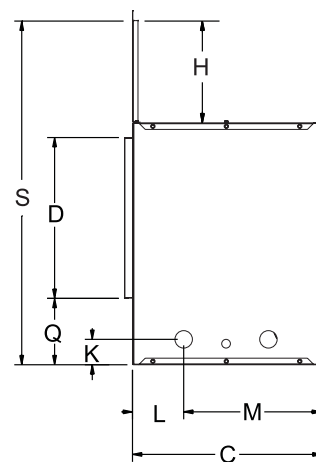
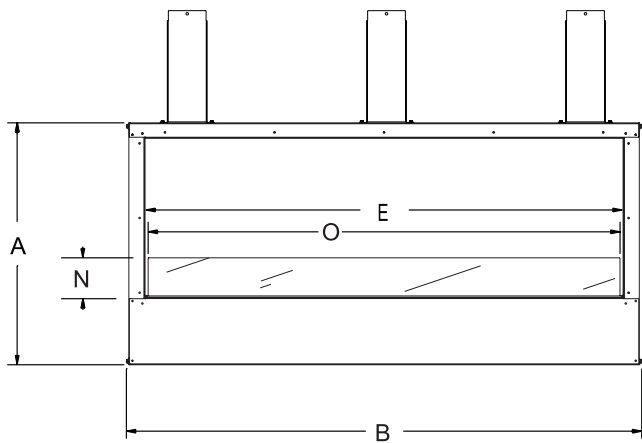
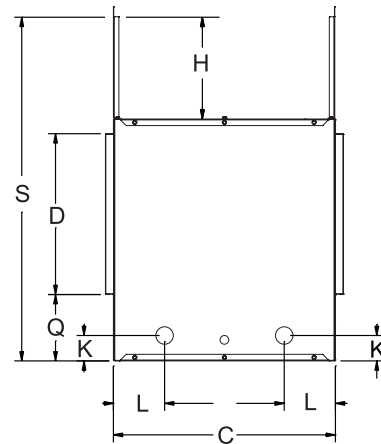
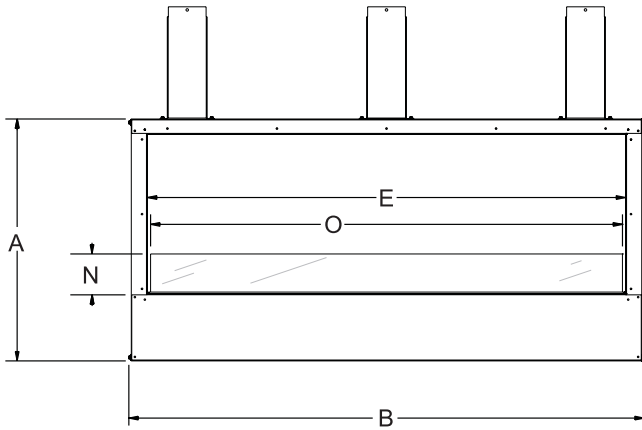


# FIREPLACE DIMENSIONS



INDEX LETTER	DIMENSION DESCRIPTION	OLL48FP	OLL48SP
		Dimensions in Inches	
A	The maximum height of firebox face (excluding standoffs)	24-5/16	24-5/16
B	The maximum width of the firebox face (excluding nailing flanges)	51-3/4	51-3/4
C	The maximum depth of the firebox	19-1/16	22-5/16
D	The height of the firebox opening	16-3/16	16-3/16
E	The width of the firebox opening	48	48
F	The interior depth of the firebox (not shown)	19	22-9/32
G	The rear exterior width of the firebox (not shown)	51-3/4	51-3/4
H	The height to the firebox standoffs	16-1/2	16-1/2
I	Width from the left side of the box to the centerline of vent	N/A	N/A
J	Depth from back of box to centerline of top vent	N/A	N/A
K	Height from the bottom of the box to the gas line opening	2-9/16	2-9/16
L	Depth from the front of the box to gas line opening	5-3/16	5-3/16
M	Depth from rear of box to gas line opening	13-21/32	N/A
N	Glass height	3-1/2	3-1/2
O	Glass width	47-3/8	47-3/8
P	Depth from front of box to centerline of vent	N/A	N/A
Q	Distance from floor to fireplace opening	6-11/16	6-11/16
R	Height from floor to vent collar	N/A	N/A
S	Overall height to header	40-13/16	40-13/16

N/A - Not applicable for this unit.