

VRE4600 SERIES

36/48/60/72 LINEAR OUTDOOR VENT-FREE GAS FIREPLACES

Framing Dimensions

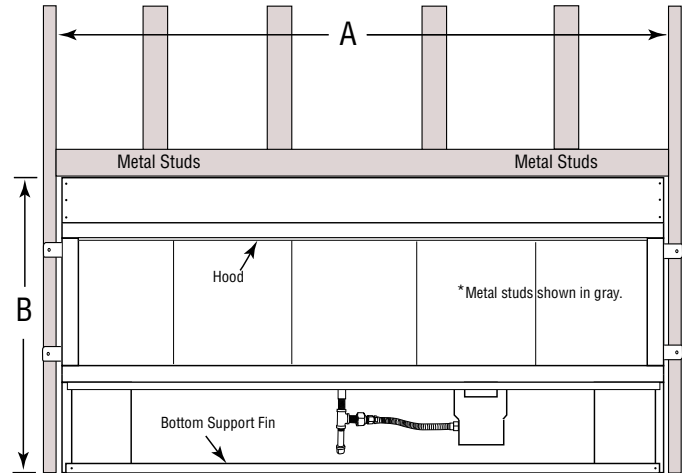
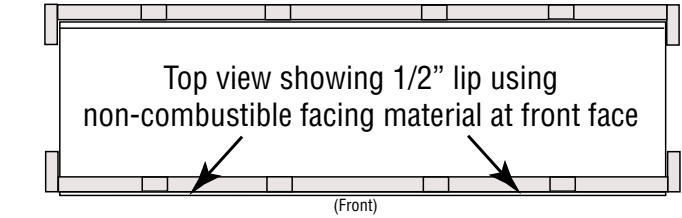
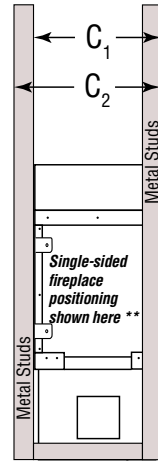
Model	FRAMING WITH METAL STUDS			
	A Width	B Height	C ₁ Single Sided Depth	C ₂ ** See-Thru Depth
VRE4636	40-1/2 (1029)	37-3/4 (959)	16-1/4 (413)	15 (381)
VRE4648	52-1/2 (1334)	37-3/4 (959)	16-1/4 (413)	15 (381)
VRE4660	64-1/2 (1638)	37-3/4 (959)	16-1/4 (413)	15 (381)
VRE4672	76-1/2 (1943)	37-3/4 (959)	16-1/4 (413)	15 (381)

Inches (millimeters)

* Metal studs are shaded

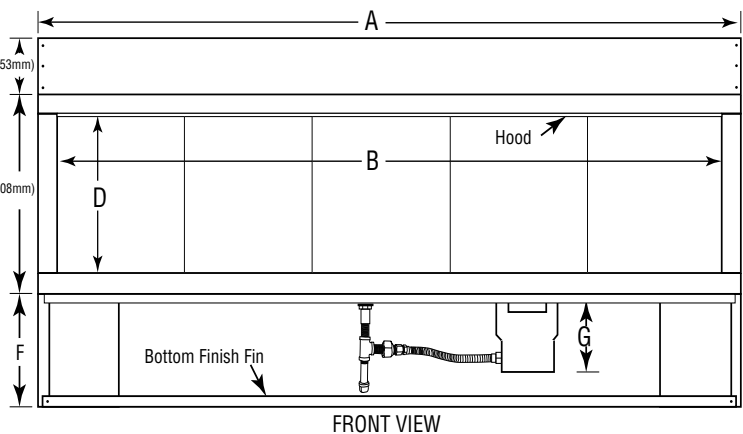
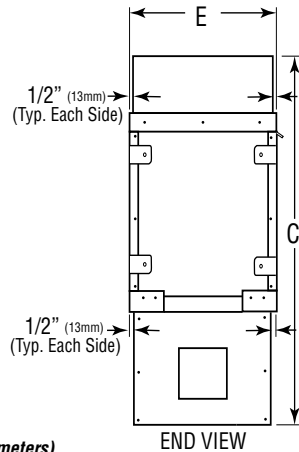
** In See-Thru Applications, the face on each side will be flush with the outside surface of studs.

NOTE: This fireplace requires metal studs for framing. Wood studs are not permitted.



Fireplace Dimensions

NOTE: These fireplaces are not "load bearing" fireplaces. All finishing materials must be supported by the surrounding structure and not rely on the fireplace itself.



Inches (millimeters)

Model	A Width	B Opening Width	C Height	D Opening Height	E* Depth	F Leg Height	G Valve Box Depth
VRE4636	40 (1016)	36 (915)	37-1/2(953)	16(407)	16-1/4 (413)	11-1/2(292)	8-3/4(222)
VRE4648	52 (1321)	48 (1219)	37-1/2(953)	16(407)	16-1/4 (413)	11-1/2(292)	8-3/4(222)
VRE4660	64 (1626)	60 (1524)	37-1/2(953)	16(407)	16-1/4 (413)	11-1/2(292)	8-3/4(222)
VRE4672	76 (1931)	72 (1829)	37-1/2(953)	16(407)	16-1/4 (413)	11-1/2(292)	8-3/4(222)

* Subtract 1/4" for See-Through applications

Diagrams, illustrations and photographs are not to scale. Consult installation instructions. Product designs, materials, dimensions, specifications, colors, and prices are subject to change or discontinuance without notice.

VRE4600 SERIES

Product Info

Cat. No.	Model	Ship. Weight	Cu. Ft.
F4493	VRE4636ZEN	195 lb.	24.06 cu. ft.
F4494	VRE4648ZEN	232 lb.	29.94 cu. ft.
F4495	VRE4660ZEN	279 lb.	36.36 cu. ft.
F4496	VRE4672ZEN	332 lb.	44.81 cu. ft.

Listing

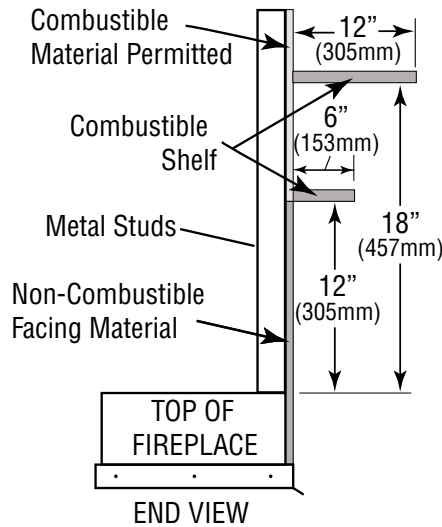


Report No. MH# 60069

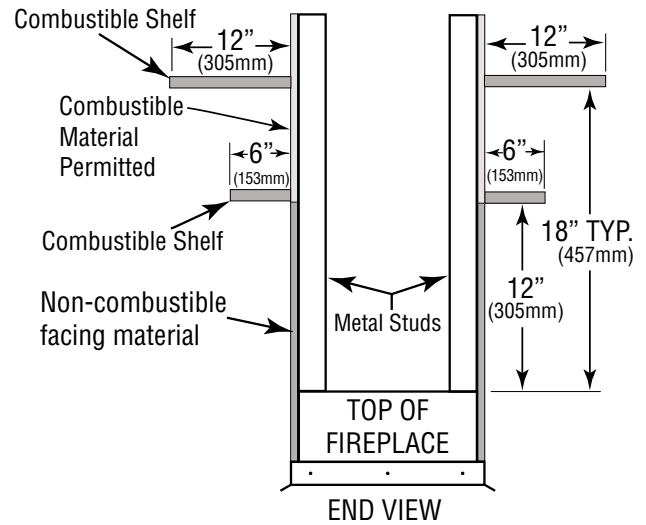
These fireplaces are designed for outdoor use only. They have been tested and approved to ANSI Z21.97, CSA 2.41 in both USA and Canada, as outdoor decorative gas appliances.

Mantel Clearances

Inches (millimeters)



SINGLE-SIDED (open front) fireplace mantel clearances

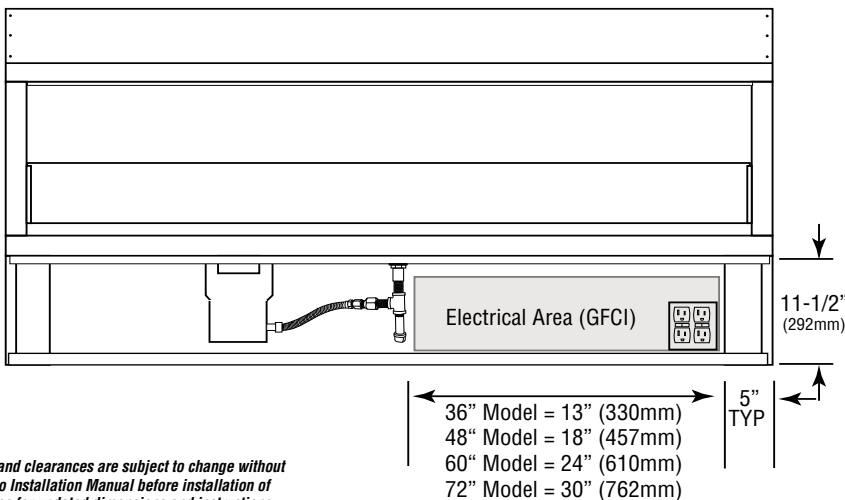


SEE-THROUGH fireplace mantel clearances

LED LIGHTING INSTALLATION : Install the GFCI outlet double gang junction box with a weatherproof cover on the opposite side of the inlet gas supply. See the Installation and Operation Instructions manual for installation details.

Electrical Placement

The electric junction box (GFCI) with a weatherproof cover must be installed in the shaded area shown below. Ensure the j-box is close to the floor area where the fireplace is sitting and not touching the burner pan.

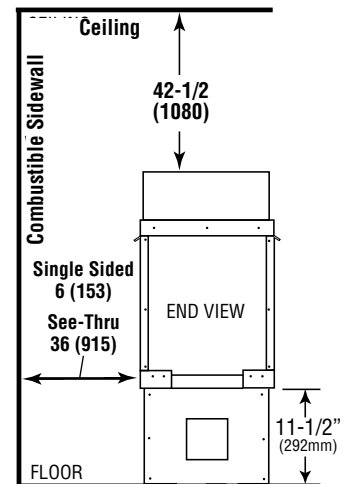


Specifications and clearances are subject to change without notice. Refer to Installation Manual before installation of these appliances for updated dimensions and instructions.

NOTE: DIAGRAMS & ILLUSTRATIONS ARE NOT TO SCALE.

Printed in U.S.A. © 2021 Innovative Hearth Products
P/N 900861-02 REV. A 02/2021

Clearances



Fireplace clearance to combustibles

Inches (millimeters)

