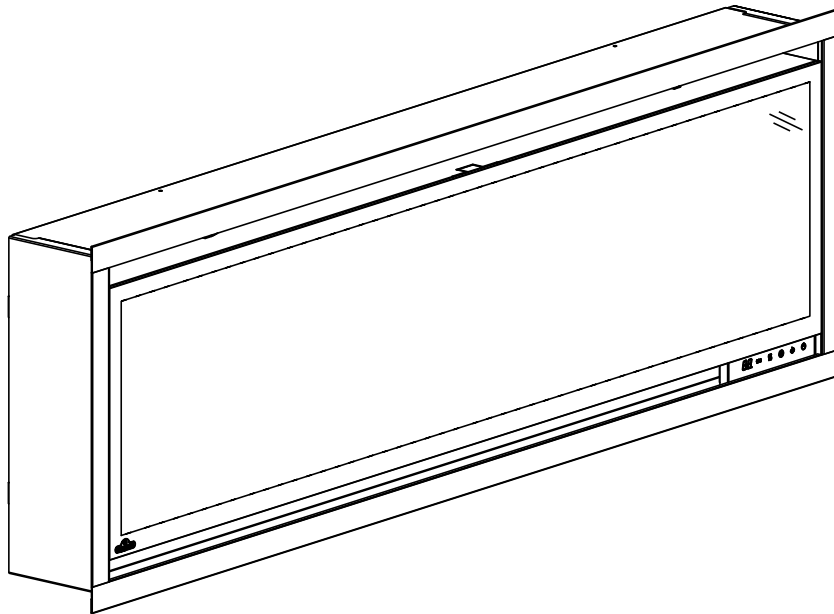




INSTALLATION AND OPERATION MANUAL

Alluravision™ Series
(NEFL50CHD-1 Illustrated)



SAFETY INFORMATION

⚠ WARNING

FIRE OR EXPLOSION HAZARD

If the information in these instructions are not followed exactly, a fire or explosion may result causing property damage, personal injury, or loss of life.

- Do not store or use gasoline or other flammable vapors and liquids in the vicinity of this or any other appliance.

INSTALLER:

Leave this manual with the appliance

CONSUMER:

Retain this manual for future reference



This appliance has a remote that requires button batteries that are hazardous to young children.

FOR INDOOR USE ONLY

**CERTIFIED TO THE CANADIAN AND AMERICAN NATIONAL STANDARDS:
CSA 22.2 NO. 46 / UL 2021**



Wolf Steel Ltd., 24 Napoleon Rd., Barrie, ON, L4M 0G8 Canada / 103 Miller Drive, Crittenden, Kentucky, USA, 41030
Phone 1 (866) 820-8686 • www.napoleon.com • hearth@napoleon.com

! WARNING

- **If equipped with a heater, this appliance can be hot when operated and can cause severe burns if contacted.**
- Do not operate appliance before reading and understanding operating instructions. Failure to operate appliance according to operating instructions could cause fire or injury.
- Do not install damaged, incomplete or substitute components.
- Do not burn wood or other materials in this appliance.
- All electric appliances have hot and arcing or sparking parts inside. Do not use it in areas where a gas line, paint or flammable liquids are present.
- Any safety screen or guard removed for servicing must be replaced prior to operating the appliance.
- It is imperative that the control compartments, circulating blower and its passageway in the appliance are kept clean. The appliance should be inspected before use and at least annually by a qualified service person. More frequent cleaning may be required due to excessive lint from carpeting, bedding material, etc. The appliance area must be kept clear and free from combustible materials, gasoline and other flammable vapors and liquids.
- Under no circumstances should this appliance be modified.
- Do not use this appliance if any part has been under water. Immediately call a qualified service technician to inspect the appliance and to replace any part of the control system which has been under water.
- If equipped with a glass door, do not operate the appliance with the glass door removed, cracked or broken. Replacement of the glass should be done by a licensed or qualified service person. Do not strike or slam shut the appliance glass door.
- Keep the packaging material out of reach of children and dispose of the material in a safe manner. As with all plastic bags, these are not toys and should be kept away from children and infants.
- Servicing should be done only while the appliance is disconnected from the power supply circuit.
- Always unplug appliance when not in use.
- Do not operate this appliance with a damaged cord or plug after the appliance malfunctions, has been dropped or damaged in any manner. Return appliance to authorized service facility for examination, electrical or mechanical adjustment, or repair.
- Do not use outdoors.
- When installing this appliance in a room where water is present, the installation must comply with codes recognizing the increased hazard of electrical shock and electrocution.

note:

This appliance is NOT suitable for installation in a bathroom.


- Do not run cord under carpeting. Do not cover cord with throw rugs, runners, or the like. Arrange cord away from traffic area and where it will not be tripped over.
- Connect to properly grounded outlets only.
- Do not insert or allow foreign objects to enter any ventilation or exhaust opening as this may cause an electric shock or fire, or damage the appliance.
- It is normal for your electric appliance to produce noise, especially when installed in a quiet space such as a bedroom.

 **WARNING**

- To prevent a possible fire, do not block air intakes or exhaust in any manner. Do not use on soft surfaces, like a carpet, where openings may become blocked.
- Always plug appliances directly into a wall outlet/receptacle. Never use an extension cord or relocatable power tap (outlet/power strip).
- These appliances are tested and listed for use only with the optional accessories listed in these instructions. Use of optional accessories not specifically tested for this appliance could void the warranty and/or result in a safety hazard.

For appliances equipped with a heater:

- Risk of burns. Power to the appliance should be turned off and the appliance allowed to cool before servicing. To disconnect power to the appliance, turn controls to off, then remove plug from outlet.
- Young children should be carefully supervised when they are in the same room as the appliance. Toddlers, young children and others may be susceptible to accidental contact burns. A physical barrier is recommended if there are at risk individuals in the house. To restrict access to an appliance or stove, install an adjustable safety gate to keep toddlers, young children and other at risk individuals out of the room and away from hot surfaces.
- Clothing or other flammable material should not be placed on or near the appliance.
- Due to high temperatures, the appliance should be located out of traffic and away from furniture and draperies.
- Ensure you have incorporated adequate safety measure to protect infants/toddlers from touching hot surfaces.
- Even after the appliance is off, the glass and/or screen will remain hot for an extended period of time.
- Check with your local hearth specialty dealer for safety screens and hearth guards to protect children from hot surfaces. These screens and guards must be fastened to the floor.
- Ensure clearances to combustibles are maintained when building a mantel or shelves above the appliance. Elevated temperatures on the wall or in the air above the appliance can cause melting, discolouration or damage to decorations, a TV or other electronic components.

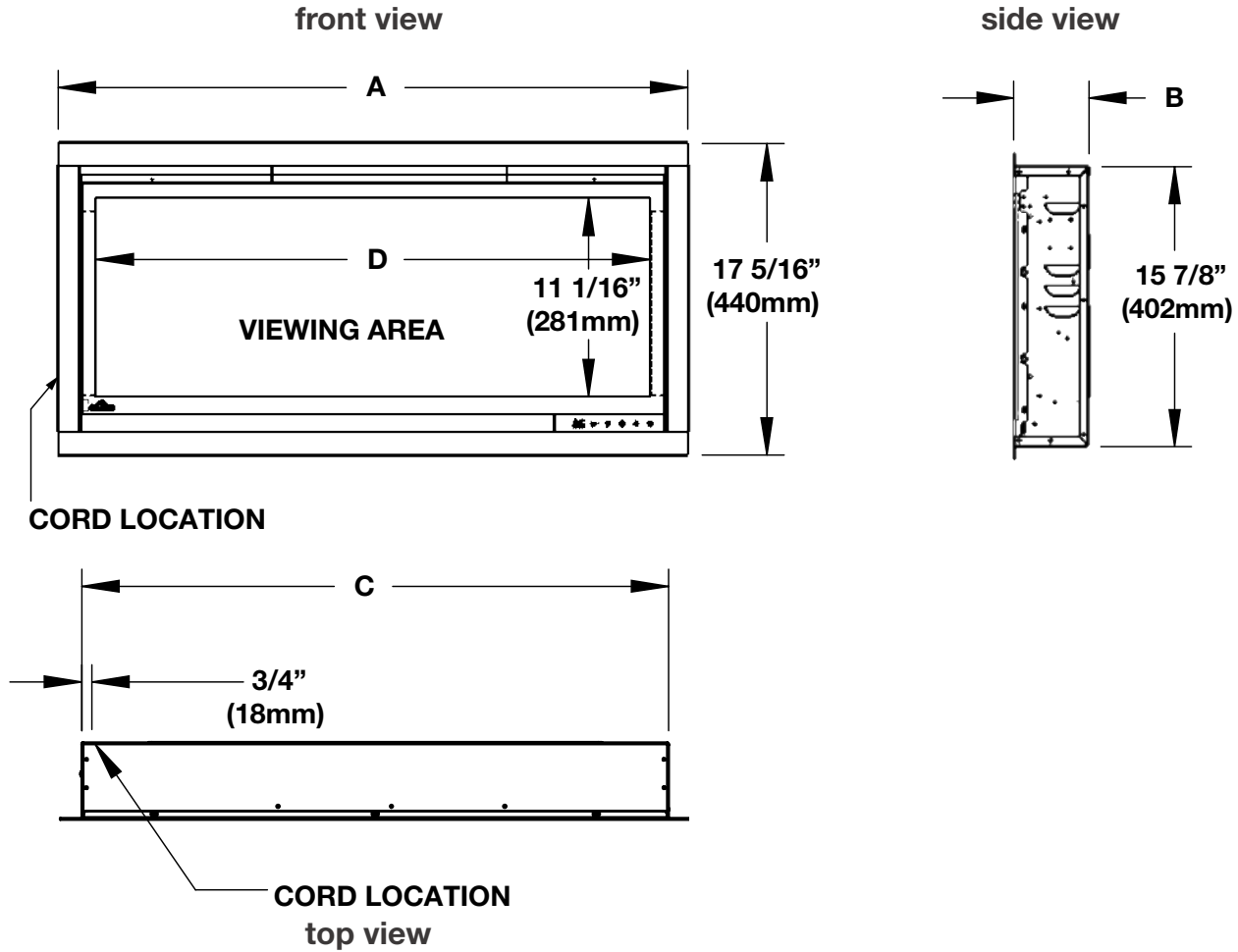
 **WARNING:** This product can expose you to chemicals including lead and lead compounds, which are known to the State of California to cause cancer, and chemicals including BBP and DEHP, which are known to the State of California to cause birth defects or other reproductive harm. For more information, go to www.P65Warnings.ca.gov.

1.0	general information	5
1.1	dimensions	5
1.2	listing approvals	6
1.3	general instructions	6
1.4	rating plate information	7
1.5	hardware list	7
1.6	label location	8
1.7	unpacking and testing the appliance	9
1.8	grounding the appliance	9
2.0	installation	10
2.1	minimum clearance to combustibles	10
2.2	minimum mantel clearances	10
2.3	wall mount installation	11
2.3.1	side panel installation (optional, wall mount installation only)	12
2.4	recessed installation	13
2.4.1	framing	13
2.4.2	recessed installation instructions	14
2.4.3	trim installation (optional)	15
2.5	installing the appliance into a mantel	16
3.0	electrical information	17
3.1	120V hardwiring installation (NEFL42/50/60/74CHS-1 only)	17
3.2	120V hardwiring installation (NEFL42/50/60/74/100CHD-1 only)	18
3.3	240V hard wiring installation (NEFL42/50/60/74/100CHD-1 only)	19
4.0	finishing	20
4.1	crystal ember installation	20
4.2	optional topaz glass chips and driftwood log installation (NEFL42/50/60/74/100CHD-1 only)	20
4.3	front glass installation and removal	21
5.0	wiring diagram	22
5.1	NEFL42/50/60/74CHS-1 wiring diagram	22
5.2	NEFL42/50/60/74/100CHD-1 wiring diagram	23
6.0	operation	24
6.1	operating control panel	24
6.2	operating remote control	25
7.0	maintenance	26
7.1	cleaning	26
7.2	remote battery installation	27
8.0	replacement parts	28
8.1	NEFL42/50/60/74CHS-1	29
8.2	NEFL42/50/60/74/100CHD-1	30
9.0	troubleshooting	31
10.0	warranty	33

note:

The information throughout this manual is believed to be correct at the time of printing. Wolf Steel Ltd. reserves the right to change or modify any information within this manual at any time without notice. Changes, other than editorial, are denoted by a vertical line in the margin.

1.1 dimensions



Dimensions				
Model No.	A	B	C	D
NEFL42CHS-1	44 7/16" (1128mm)	4 1/4" (108mm)	42 1/16" (1068mm)	40 1/4" (1022mm)
NEFL50CHS-1	52 11/16" (1338mm)		50 5/16" (1278mm)	48 1/2" (1232mm)
NEFL60CHS-1	62 9/16" (1588mm)		60 3/16" (1528mm)	58 5/16" (1482mm)
NEFL74CHS-1	76 3/4" (1948mm)		74 5/16" (1888mm)	72 1/2" (1842mm)
NEFL42CHD-1	44 7/16" (1128mm)	5 13/16" (148mm)	42 1/16" (1068mm)	40 1/4" (1022mm)
NEFL50CHD-1	52 11/16" (1338mm)		50 5/16" (1278mm)	48 1/2" (1232mm)
NEFL60CHD-1	62 9/16" (1588mm)		60 3/16" (1528mm)	58 5/16" (1482mm)
NEFL74CHD-1	76 3/4" (1948mm)		74 5/16" (1888mm)	72 1/2" (1842mm)
NEFL100CHD-1	102 11/16" (2608mm)		100 5/16" (2548mm)	98 1/2" (2502mm)

general information

1.2 listing approvals

Model No.	Net Weight	Gross Weight
NEFL42CHD-1	63.3 lbs (28.7kg)	82.7 lbs (37.5kg)
NEFL50CHD-1	71.7 lbs (32.5kg)	94.8 lbs (43kg)
NEFL60CHD-1	82.7 lbs (37.5kg)	109.1 lbs (49.5kg)
NEFL74CHD-1	99.6 lbs (45.2kg)	130 lbs (59kg)
NEFL100CHD-1	130 lbs (59kg)	167.6 lbs (76kg)
NEFL42CHS-1	46.7 lbs (21.2kg)	62.4 lbs (28.3kg)
NEFL50CHS-1	54.5 lbs (24.7kg)	73 lbs (33.1kg)
NEFL60CHS-1	63.3 lbs (28.7kg)	84.2 lbs (38.2kg)
NEFL74CHS-1	77.2 lbs (35kg)	103.6 lbs (47kg)

Description	Electric Appliance
Type	3 Way Mounting Unit Wall-Mount, Recess into Wall and Assemble with mantel
Voltage	120V AC / 240V AC *
Watts	MAX 1450W / 2800W *
Amps	Dedicated 15 AMP Grounded Circuit

*Not applicable to NEFL42/50/60/74CHS-1

This appliance has been tested in accordance with the CSA Standards for fixed and location-dedicated electric room appliances in the United States and Canada. If you need assistance during installation, please contact your local dealer.

note:

This appliance must be electrically wired and grounded in accordance with local codes or, in the absence of local codes, with the latest edition of the National Electrical Code ANSI/NFPA 70 in the United States or the Canadian Electrical Code, CSA C22.1 in Canada.

1.3 general instructions

- Prior to plugging your appliance into an electrical outlet, verify that the house circuit breakers for the outlet are on.
- The appliance may emit a slight, harmless odour when first used. This odour is normal and it is caused by the initial heating of internal appliance elements and will not occur again.
- If your appliance does not emit heat when called for, consult the “operation” section of this manual for further information.

This electric appliance meets the construction and safety standards of H.U.D. for application in manufactured homes when installed according to these instructions.

As with most electronic devices, your new electric appliance has been designed to operate at temperatures between 5°C (41°F) and 35°C (95°F). During the colder winter months, allow the appliance to reach room temperature before turning it on.

1.4 rating plate information

The below illustration is for reference only. Refer to the appliance rating plate for accurate information.

CERTIFIED UNDER CANADIAN AND AMERICAN NATIONAL STANDARD: CSA 22.2 NO. 46 AND UL 2021 / HOMOLOGUÉ SELON LES NORMES NATIONALES CANADIENNES ET AMÉRICAINES: CSA 22.2 NO. 46 UL ET 2021
 ELECTRIC FIREPLACE. SUITABLE FOR BEDROOM AND BED-SITTING ROOM INSTALLATION.
 SUITABLE FOR MOBILE HOME INSTALLATION. FOYER À ÉLECTRIQUE. HOMOLOGUÉ POUR
 INSTALLATION DANS UNE CHAMBRE À COUCHER, UNE SALLE DE BAIN ET UN STUDIO. APPROPRIÉ POUR
 INSTALLATION DANS UNE MAISON MOBILE.


US
 MASTER CONTRACT: 161746
 CONTRAT-CADRE: 161746

SAMPLE

NEFL42CHD-1

NEFL50CHD-1

NEFL60CHD-1

NEFL74CHD-1

NEFL100CHD-1

VOLTAGE: 120V AC / 240V AC TENSION: 120V AC / 240V AC
 FREQUENCY: 60Hz FRÉQUENCE: 60Hz
 POWER: 1450W / 2800W PUISSANCE: 1450W / 2800W

DATE CODE: CODE DE DATE:

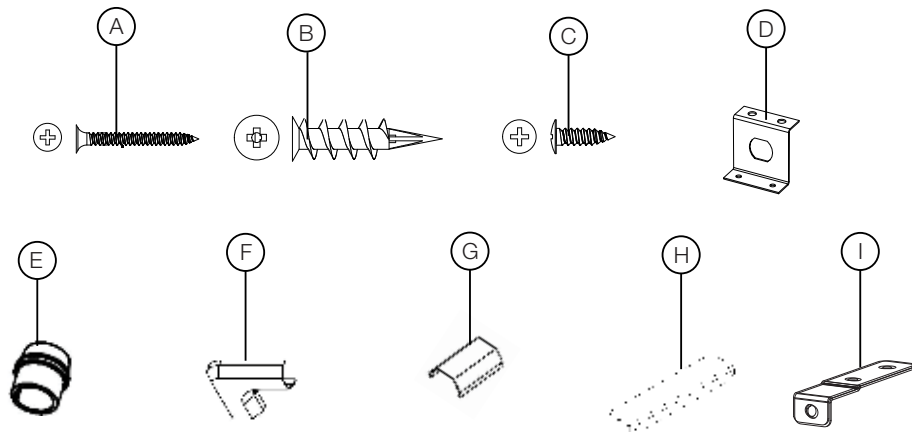
DESIGNED IN NORTH AMERICA DÉSIGNÉ EN AMÉRIQUE DU NORD
 BY WOLF STEEL LTD. PAR WOLF STEEL LTÉE.
 MADE IN CHINA FABRIQUÉ EN CHINE

WOLF STEEL LTD.
 24 NAPOLEON ROAD,
 BARRIE, ON, L4M 0G8 CANADA

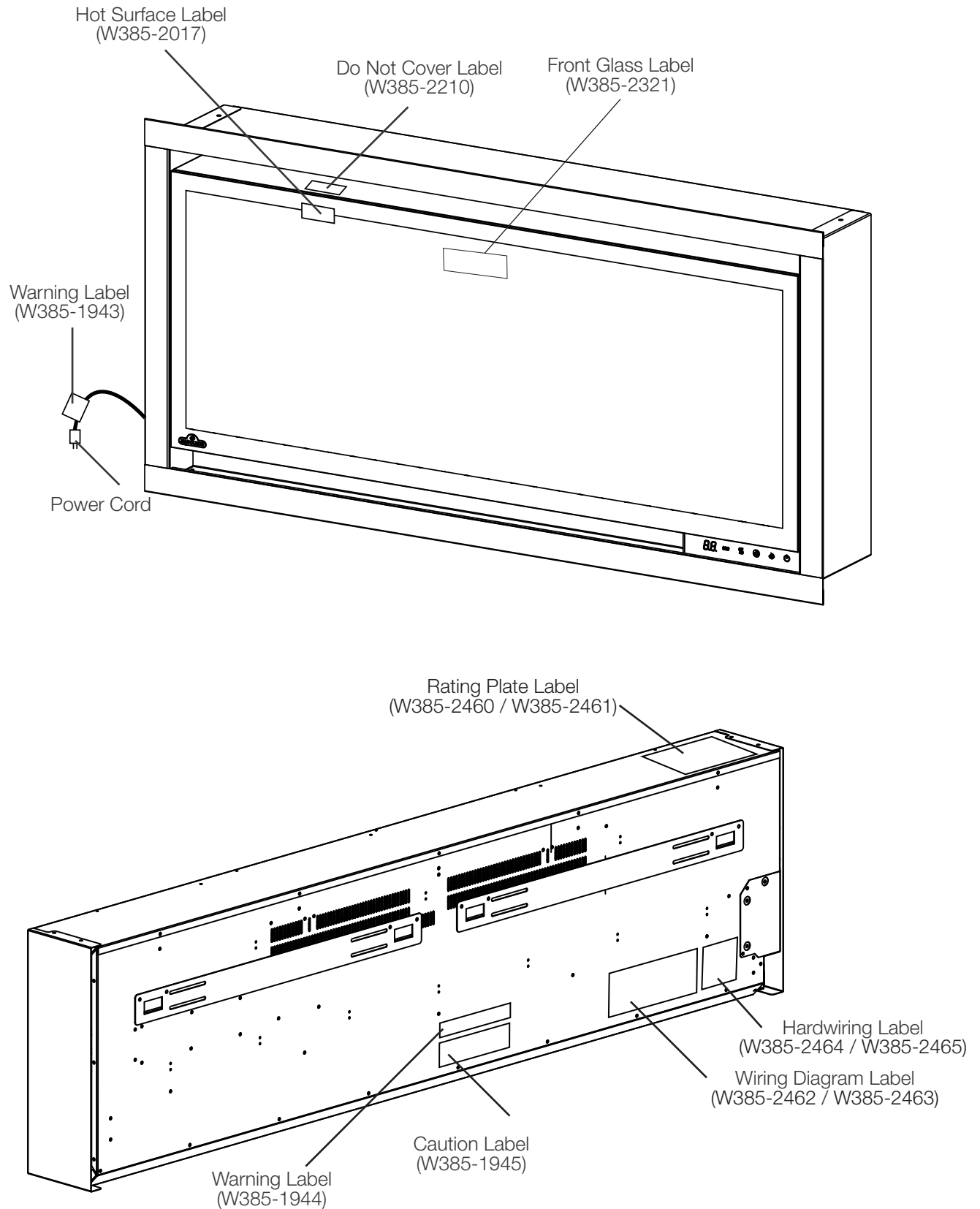
SERIAL NUMBER/NO. DE SÉRIE: NEFLXXD W385-2460

note:
 The rating plate must remain with the appliance at all times. It must not be removed.

1.5 hardware list



	Description	Quantity				
		NEFL42CHS-1 / NEFL42CHD-1	NEFL50CHS-1 / NEFL50CHD-1	NEFL60CHS-1 / NEFL60CHD-1	NEFL74CHS-1 / NEFL74CHD-1	NEFL100CHD-1
A	Wood Screws	8		14		
B	Drywall Anchors	8		14		
C	ST4x12 Metal Screws	25				
D	Junction Box Cover Plate	1				
E	Strain Relief	1				
F	Cord Corner	2				
G	Cord Cover Connector	2				
H	Centre Screw Cover Plate	1				
I	Side Wall Mounting Bracket	2				

1.6 label location

1.7 unpacking and testing the appliance

! WARNING

- Due to high temperatures, this electric appliance should be located out of traffic. Keep combustible materials such as furniture, pillows, bedding, papers, clothes and curtains at least 36" (91.4cm) from the front of the appliance.
- Never locate this electric appliance where it may fall into a bathtub or other water container.
- Wear safety gloves and safety glasses for protection during installation and maintenance.
- To prevent contact with sagging or loose insulation, the electric appliance must not be installed against vapor barrier or exposed insulation. Localized overheating could occur and a fire could result.
- Do not expose the electric appliance to the elements (such as rain, etc.).

Carefully remove the appliance from the box. Prior to installing the appliance, remove all packaging material and test to make sure the appliance operates properly by plugging the power supply cord into a conveniently located 120V, 15 Amp minimum grounded outlet.

note:

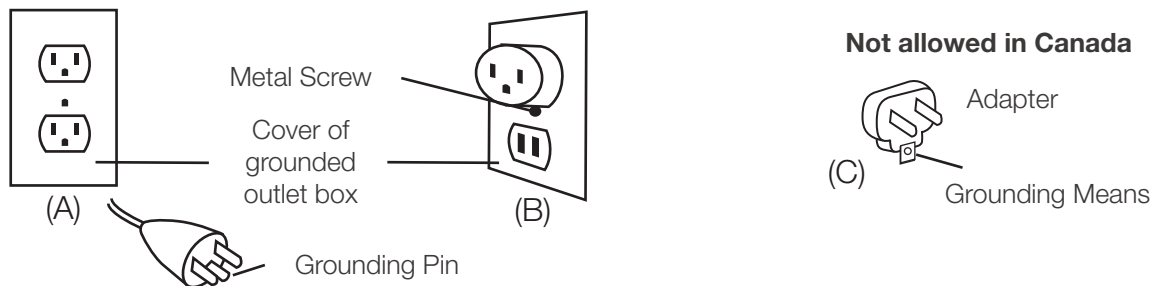
The appliance is shipped with the front glass not assembled onto the appliance (see "front glass installation and removal" section for assembly instructions). Front glass must be installed during operation.

1.8 grounding the appliance

NEFL42/50/60/74CHS-1 models are for use with 120 volts; NEFL42/50/60/74/100CHD-1 models are for use with 120 and 240 volts. The cord has a plug as shown in (A). An adapter as shown in (C) is available for connecting three-blade grounding type plugs to two-slot receptables, as shown in (B). The green grounding plug extending from the adapter must be connected to a permanent ground such as a properly grounded outlet box. The adapter should not be used if a three-slot grounded receptable is available.

To disconnect appliance, turn controls to OFF, then remove plug from outlet.

Grounding Methods



note:

This appliance must be connected to a dedicated 15 amp circuit. The use of an extension cord is NOT permitted.

2.0 installation

⚠ WARNING

- Risk of fire! The power cord must not be pinched against a sharp edge. Secure cord to avoid tripping or snagging to reduce the risk of fire, electric shock, or personal injury. Do not run cord under carpeting. Do not cover cord with throw rugs, runners, or similar items. Arrange cord away from traffic areas and where it will not be tripped over.
- Risk of fire! To prevent a possible fire, do not block air intake or exhaust in any manner. Do not use on soft surfaces where openings may become blocked.
- Risk of fire! Do not blow or place insulation against the appliance.
- This electric appliance is tested and listed for use only with the approved optional accessories. Use of optional accessories not specifically tested for this electric appliance could void the warranty and/or result in a safety hazard.
- If the information in these instructions is not followed exactly, a fire or explosion may result causing property damage, personal injury, or death. Do not store or use gasoline or other flammable vapors in the vicinity of this or any other appliance.
- This appliance is heavy. It is highly recommended that two people install this appliance.
- If your appliance is equipped with a heater, ensure the heater vents cannot, in any way, be covered as it may create a fire hazard.

Your appliance is a wall-mounted, recessed and/or mantel installed appliance. Select a suitable location that is not susceptible to moisture and is away from drapes, furniture and high traffic areas.

note:

Follow all national and local electrical codes.

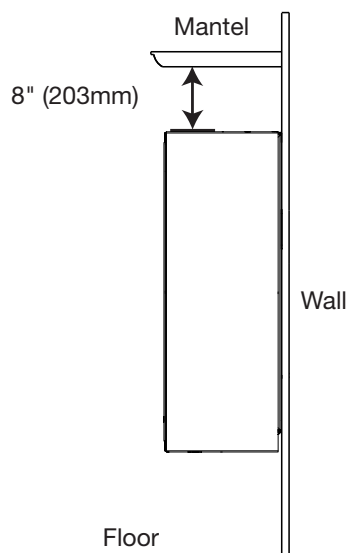
2.1 minimum clearance to combustibles

Measurements are taken from the top of the appliance:	
Bottom, Sides, and Back	0"
Top	0" recessed into wall and 8" (203mm) to mantel

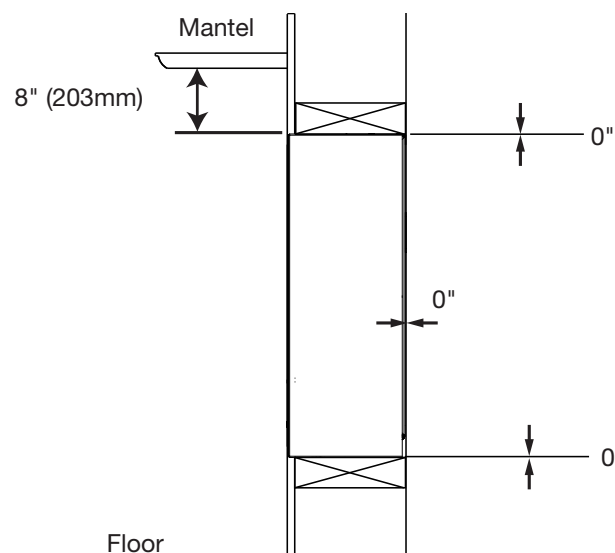
2.2 minimum mantel clearances

⚠ WARNING

- When using paint or lacquer to finish the mantel, the paint or lacquer must be heat resistant to prevent discolouration.



Side View (Wall Mount)



Side View (recessed into a wall)

2.3 wall mount installation

Due to the many different materials used on different walls, it is highly recommended that you consult your local builder before you install this appliance on the wall.

1. Select a location that is not prone to moisture and is located at least 36" (91.4cm) away from combustible materials such as curtain drapes, furniture, bedding, paper, etc.
2. Have 2 people hold the appliance against the wall to determine the final location.
3. Place appliance face down on a soft, non-abrasive surface. Remove the bracket from the back of the appliance by removing the screws (**Fig. 2-1**). Set the screws aside.

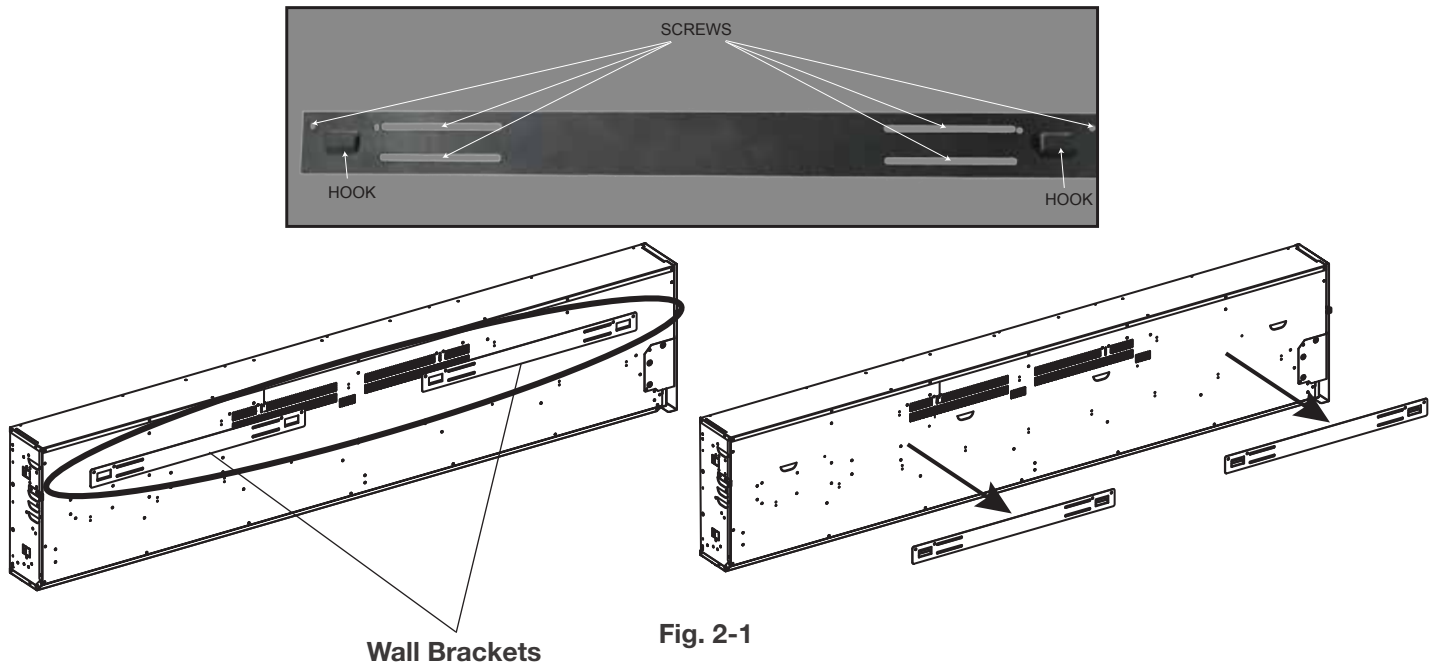


Fig. 2-1

4. Mark out location, then mount the bracket(s) onto the wall using screws (supplied). This bracket must have the hooks facing upward and be level.

note:

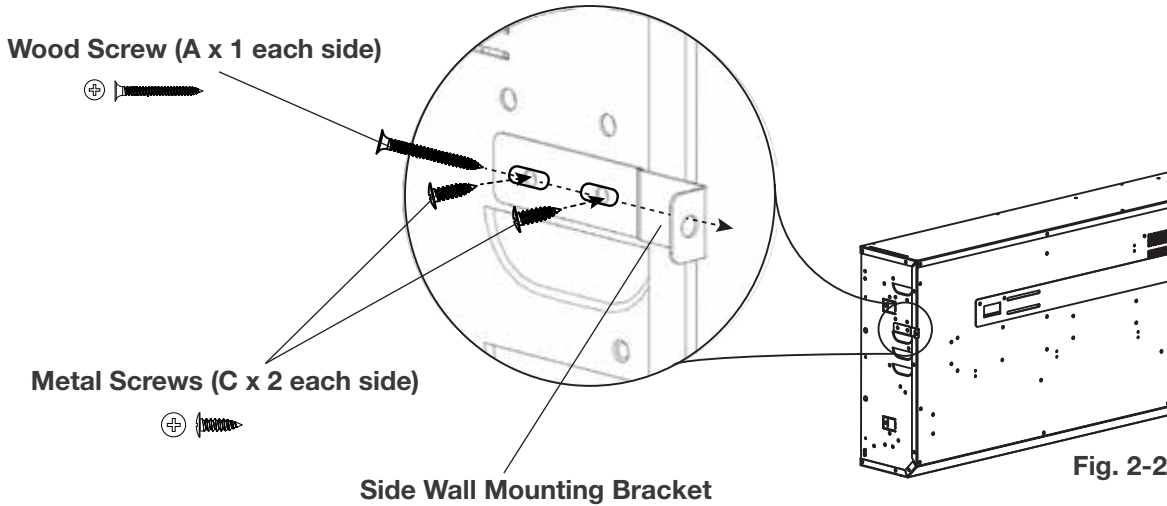
The mounting bracket must be screwed into the wall studs with at least 2 screws. If the remaining screws cannot be screwed into a stud, ensure that plastic anchors (provided) are used to affix the bracket to the wall and that the bracket is adequately secured.

- | | |
|---|--|
| ⊕  A x 6 for NEFL42/50CHS/D-1 | ⊕  B x 6 for NEFL42/50CHS/D-1 |
| ⊕  A x 12 for NEFL60/74CHS/D-1 & NEFL100CHD-1 | ⊕  B x 12 for NEFL60/74CHS/D-1 & NEFL100CHD-1 |

5. With the wall mounting bracket installed, have 2 people lift the appliance up and insert the 4 bracket hooks (2 hooks per bracket) into the 2 slots on the back of the appliance.
6. Check the appliance for stability, ensuring that the bracket will not pull free from the wall.

installation

7. Install 2 screws through the side wall mounting brackets (supplied) to secure the appliance to the wall (**Fig. 2-2**). Repeat on the opposite side.



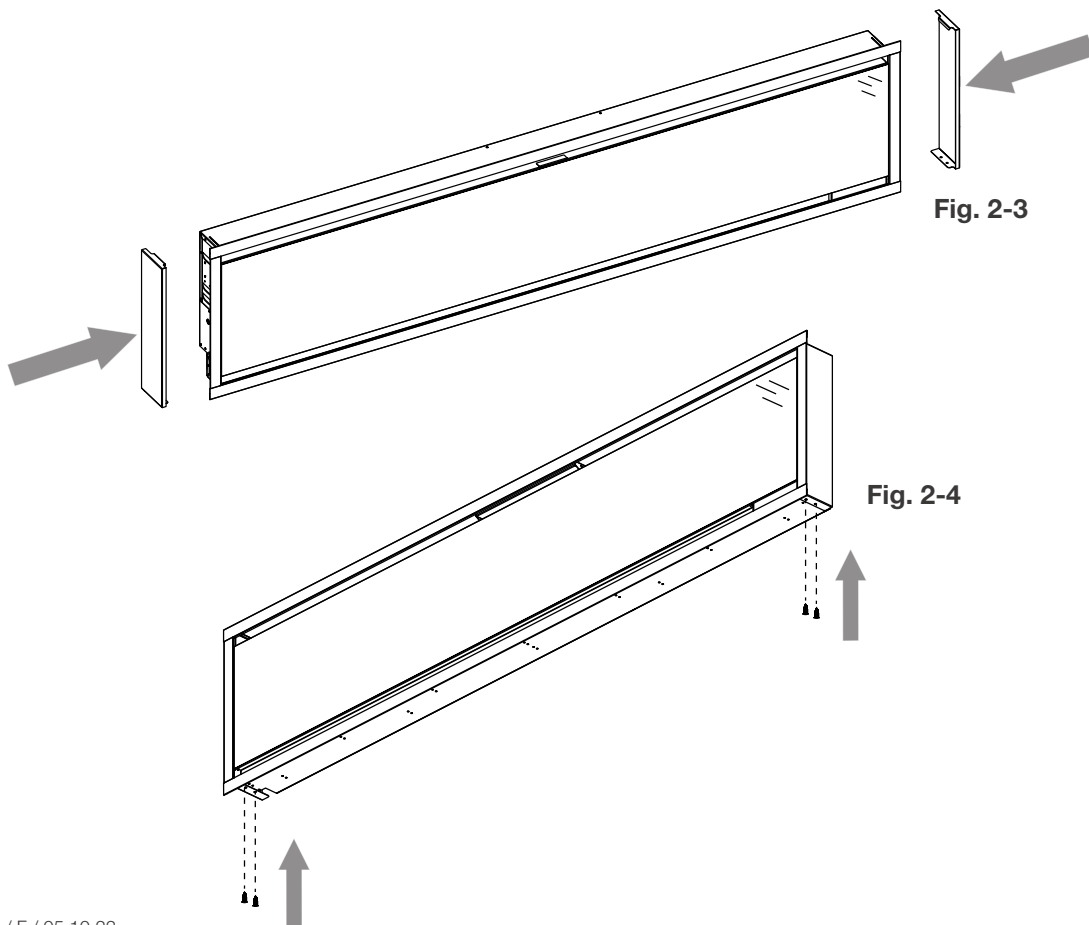
8. Install side panels (see “side panel installation” section).
9. Place the crystals or optional topaz glass chips and driftwood logs (CHD-1 models only) along the media tray (see “crystal ember installation” and “optional topaz glass chips and driftwood log installation” sections).
10. Install front glass (see “front glass installation and removal” section).

note:

For NEFL42/50CHS/D-1 models, there is only 1 wall bracket attached to the back of the appliance.

2.3.1 side panel installation (optional, wall mount installation only)

1. Install left and right panels (**Fig. 2-3**) by securing 4 screws (2 per panel) to bottom of appliance (**Fig. 2-4**).

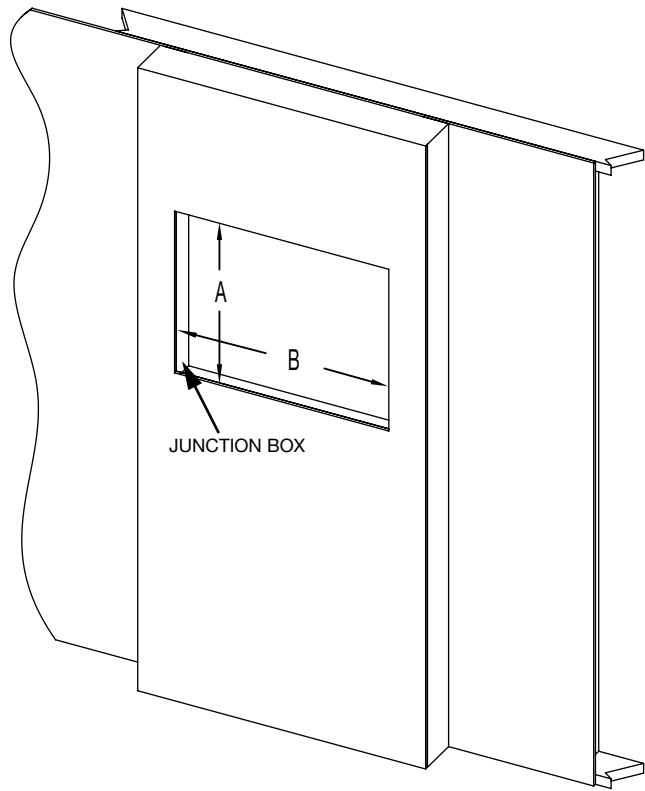
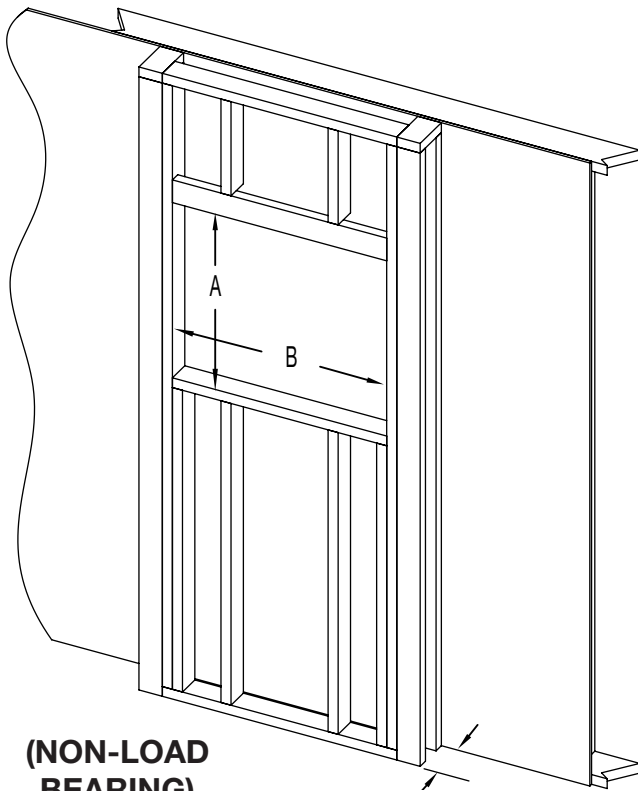


2.4 recessed installation

2.4.1 framing

Measurements from body of appliance:	
Sides, Back, Top	0"

FINISHING MATERIAL



(NON-LOAD BEARING)

4 1/2" [89mm] minimum for CHS-1 models
 6 1/16" [152mm] minimum for CHD-1 models

Model No.	A	B
NEFL42CHS-1	16 1/8" (410mm)	42 9/16" (1081mm)
NEFL50CHS-1		50 13/16" (1291mm)
NEFL60CHS-1		60 11/16" (1541mm)
NEFL74CHS-1		74 13/16" (1900mm)

Model No.	A	B
NEFL42CHD-1	16 1/8" (410mm)	42 9/16" (1081mm)
NEFL50CHD-1		50 13/16" (1291mm)
NEFL60CHD-1		60 11/16" (1541mm)
NEFL74CHD-1		74 13/16" (1900mm)
NEFL100CHD-1		100 13/16" (2561mm)

installation

2.4.2 recessed installation instructions

Due to the many different materials used on different walls, it is highly recommended that you consult your local builder before you install this appliance on the wall.

Select a location that is not prone to moisture and is located at least 36" (91.4cm) away from combustible materials such as curtain drapes, furniture, bedding, paper etc.

1. Measure the appliance and create a rough-in with electrical supply. The electrical junction box is located on the left side, at the back of the appliance.
2. Remove the wall mount brackets from the back of the appliance.
3. Remove the front glass (see "front glass installation and removal" section).
4. Remove the plastic panel holding bracket by removing the screws (**Fig. 2-5 & 2-6**).

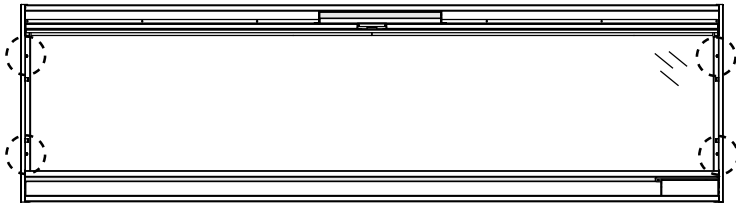


Fig. 2-5

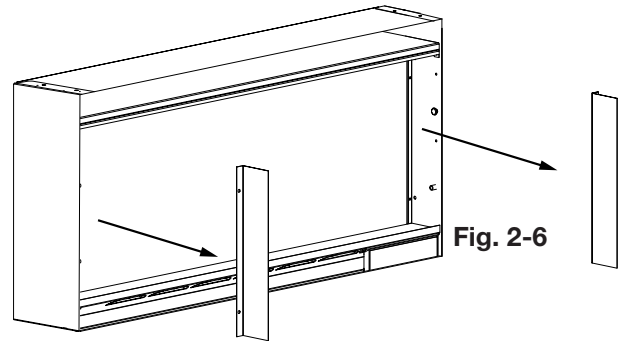


Fig. 2-6

5. If side covers are installed prior to recessed installation, remove the side covers by removing the screws (**Fig. 2-7 & 2-8**).

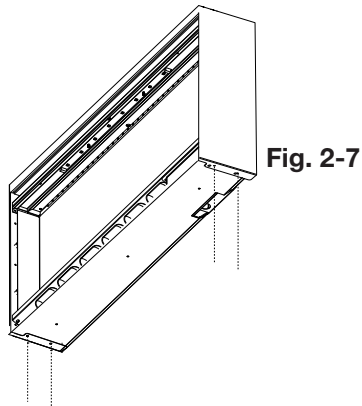


Fig. 2-7

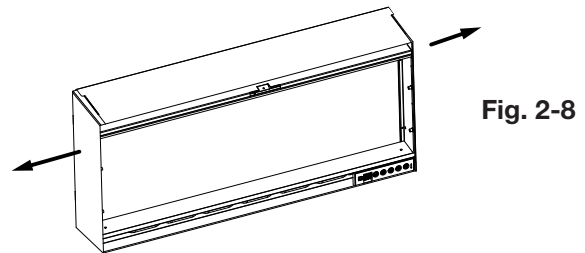


Fig. 2-8

6. Install trims (see "trim installation" section).
7. Hold the appliance up to ensure it will fit into the framing (see "framing" section).
8. Remove the power cord and complete hardwiring (see "hardwiring installation" section).
9. Use 4 screws (supplied) to secure the appliance into the wall (**Fig. 2-9**). Do not overtighten screws.

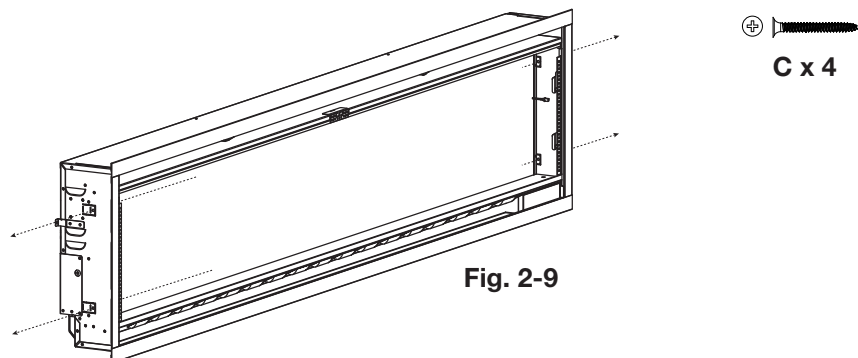


Fig. 2-9

⊕
C x 4

10. Reinstall the plastic panel holding bracket.
11. Place the crystals or optional topaz glass chips and driftwood logs (CHD-1 models only) along the media tray (see “crystal ember installation” and “optional topaz glass chips and driftwood log installation” sections).
12. Install front glass (see “front glass installation and removal” section).

note:

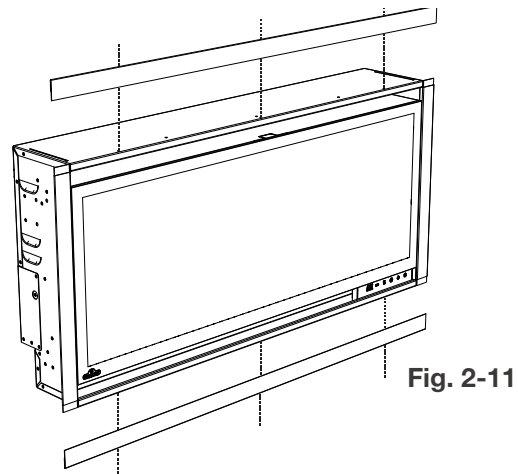
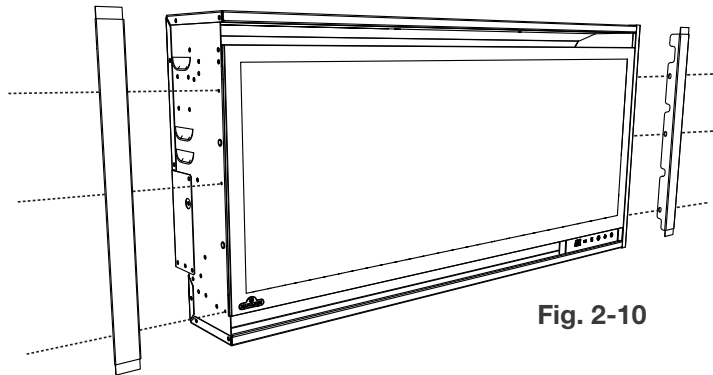
2 sets of holes are provided for recessing into the wall. The wall structure may limit how far the appliance can be recessed. Use the appropriate set of holes when recessing to the frame. Apply shims (not supplied) between appliance and frame.

note:

It is recommended that the walls of the appliance enclosure be finishing (i.e. drywall) to avoid exposed insulation or vapour barrier coming in contact with the appliance. This will ensure clearance to combustibles is maintained.

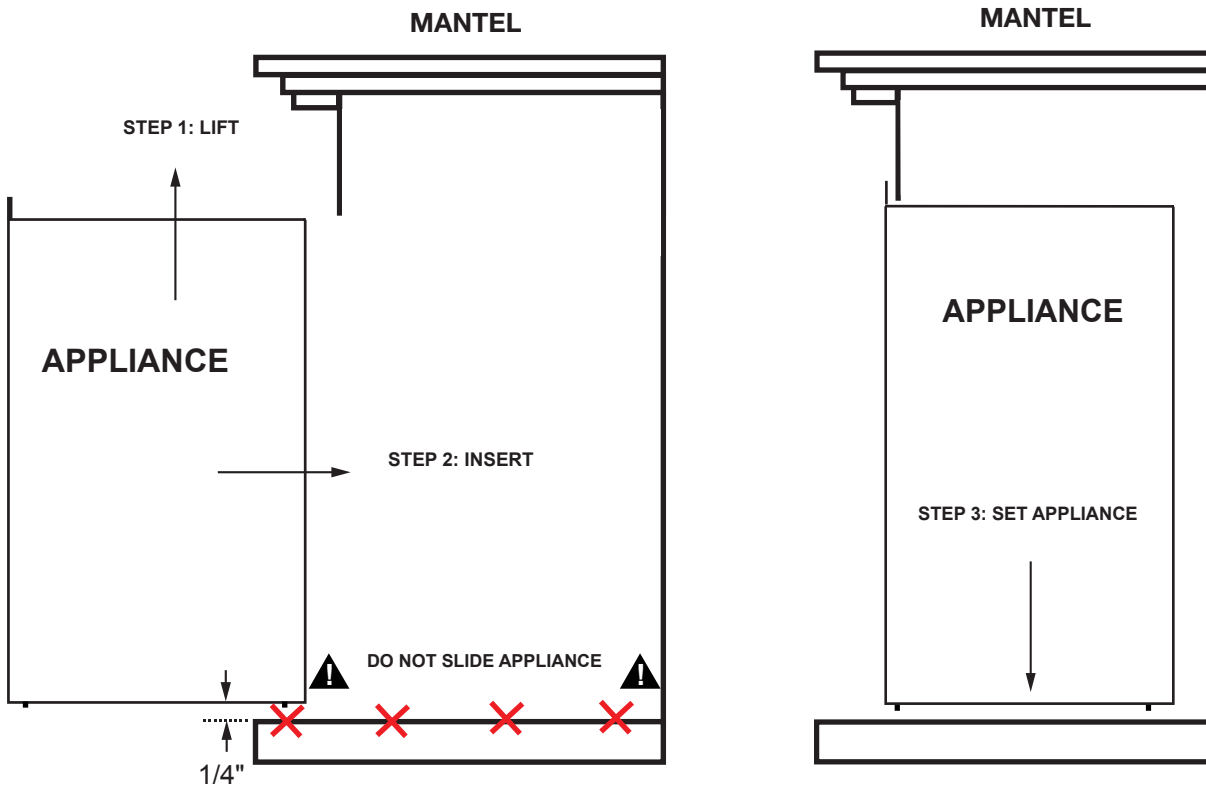
2.4.3 trim installation (optional)

1. Install left and right trims, and secure with screws (supplied) **(Fig. 2-10)**.
2. Install top and bottom trims, and secure with screws (supplied) **(Fig. 2-11)**.



2.5 installing the appliance into a mantel

1. Remove the front glass (see “front glass installation and removal” section).
2. Install the top and bottom brackets (not supplied).
3. Insert the appliance into the mantel and secure it with the brackets. For appropriate mantel installation instructions, consult your authorized dealer.
4. Place the crystals or optional topaz glass chips and driftwood logs (CHD-1 models only) along the media tray (see “crystal ember installation” and “optional topaz glass chips and driftwood log installation” sections).
5. Reinstall the front glass (see “front glass installation and removal” section).

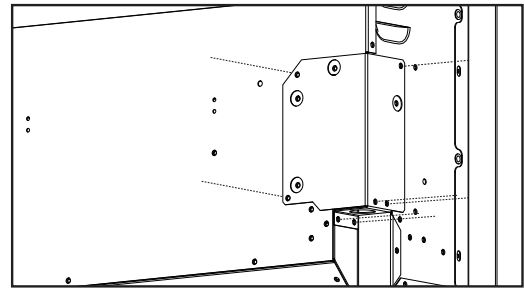


! WARNING

- Turn off the appliance completely and let cool before servicing. Only a qualified service person should service and repair this electric appliance.

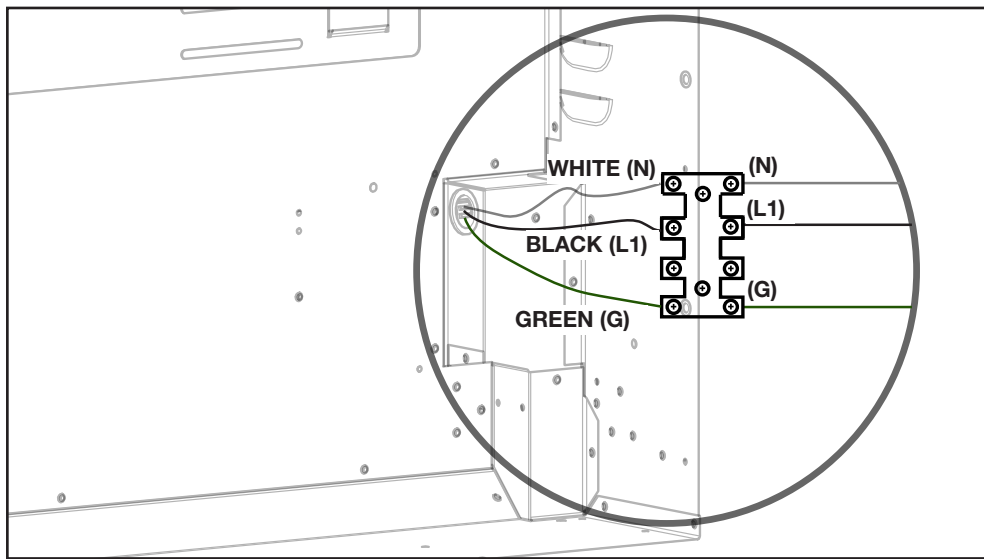
If it is necessary to hard wire this appliance, a qualified electrician must remove the cord connection and wire the appliance directly to the household wiring. The wire and power supply breaker must be rated for 120V minimum 15 amps.

This appliance must be electrically connected and grounded in accordance with local codes if hard wired. In the absence of local codes, use the latest edition of CSA C22.1 Canadian Electrical Code in Canada or ANSI/NFPA 70 National Electrical Code in the United States.

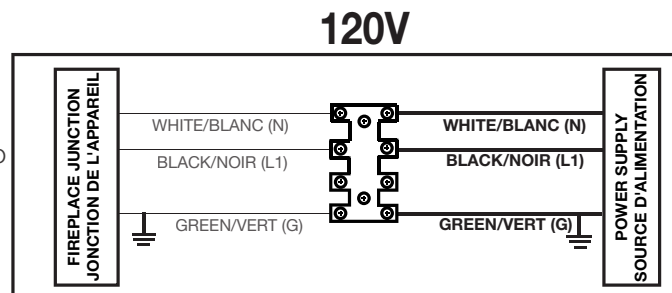


Before hardwiring the appliance, remove the junction box control cover by removing the fasteners as shown.

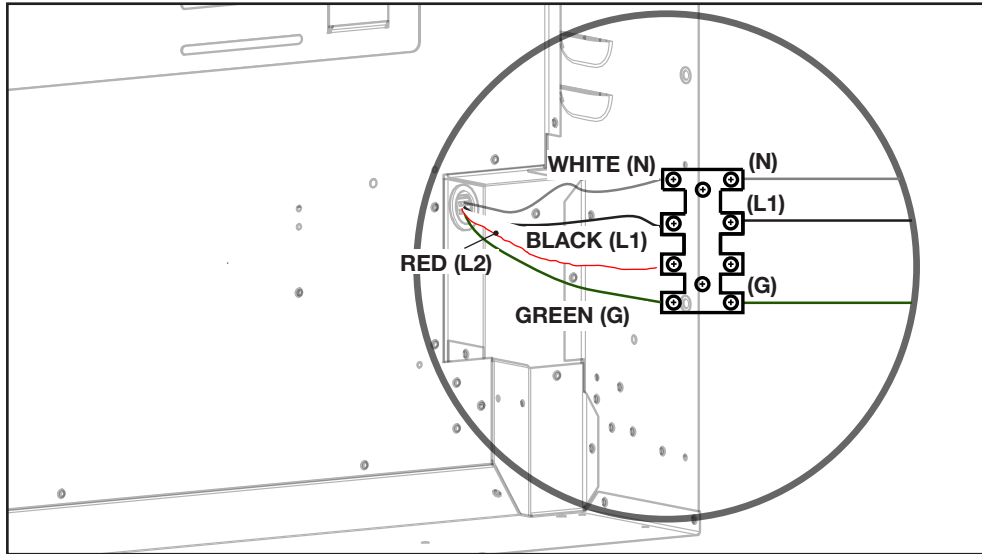
3.1 120V hardwiring installation (NEFL42/50/60/74CHS-1 only)



1. Remove the securing screws from the junction box cover plate, located on the left side, at the back of the appliance. Discard the original junction box cover plate and set screws aside.
2. Loosen the securing screws in the terminal block to remove the power cord.
3. Install the strain relief into the junction box cover plate (supplied), and feed the supply wires through the 7/8" (22mm) hole. Use minimum 14AWG/2.
4. Insert Green or bare copper wire to the designated G Terminal. Tighten the screw.
5. Insert White wire to the designated N Terminal. Tighten the screw.
6. Insert Black wire to the designated L1 Terminal. Tighten the screw.
7. Make sure all connections are tightened properly.
8. Reinstall the junction box cover plate using the screws removed in step 1.

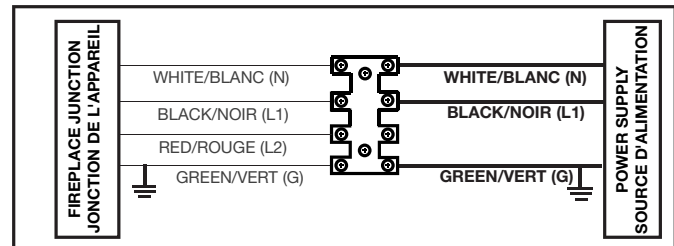


3.2 120V hardwiring installation (NEFL42/50/60/74/100CHD-1 only)

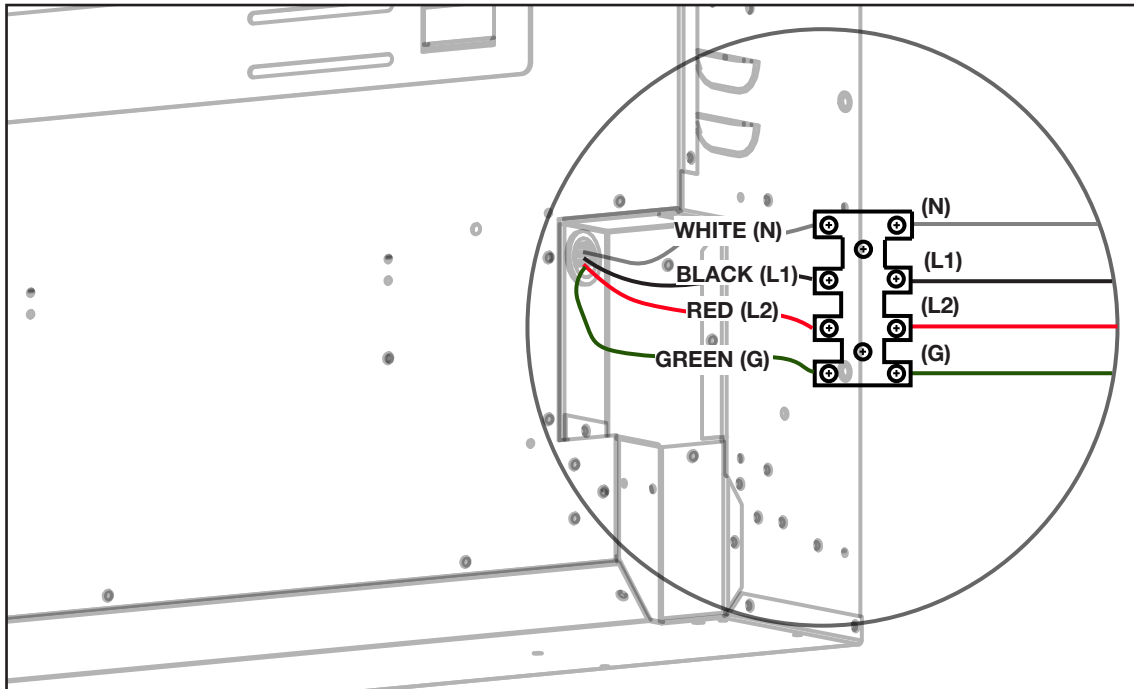


1. Remove the securing screws from the junction box cover plate, located on the left side, at the back of the appliance. Discard the original junction box cover plate and set screws aside.
2. Loosen the securing screws in the terminal block to remove the power cord.
3. Install the strain relief into the junction box cover plate (supplied), and feed the supply wires through the 7/8" (22mm) hole. Use minimum 14AWG/2.
4. Insert Green or bare copper wire to the designated G Terminal. Tighten the screw.
5. Insert White wire to the designated N Terminal. Tighten the screw.
6. Insert Black wire to the designated L1 Terminal. Tighten the screw.
7. Make sure all connections are tightened properly.
8. Reinstall the junction box cover plate using the screws removed in step 1.

120V

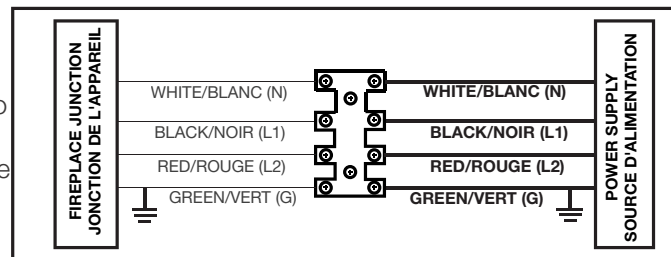


3.3 240V hard wiring installation (NEFL42/50/60/74/100CHD-1 only)



1. Remove the securing screws from the junction box cover plate, located on the left side, at the back of the appliance. Discard the original junction box cover plate and set screws aside.
2. Loosen the securing screws in the terminal block to remove the power cord.
3. Install the strain relief to the junction box cover plate (supplied), and feed the supply wires through the 7/8" (22mm) hole. Use minimum 14AWG/3.
4. Insert Green or bare copper wire to the designated G Terminal. Tighten the screw.
5. Insert White wire to the designated N Terminal. Tighten the screw.
6. Insert Black wire to the designated L1 Terminal. Tighten the screw.
7. Insert Red wire to the designated L2 Terminal. Tighten the screw.
8. Make sure all connections are tightened properly.
9. Reinstall the junction box cover plate using the screws removed in step 1.

240V



4.0 finishing

! WARNING

- Power supply service must be completed prior to finishing to avoid reconstruction.
- Heat vents and air openings cannot be covered in any circumstances.

4.1 crystal ember installation

The front glass must be removed and the appliance must be secured in its final location before the crystal embers are installed (see “front glass installation and removal” section).

1. Remove the 2 screws from the plastic ember bed panel before applying crystal embers and/or logs to keep the ember bed panel flat (**Fig. 4-1**).
2. Carefully place crystal embers into the bottom media tray (**Fig. 4-2**).
3. Apply an even layer from side to side.
4. Randomly place the large crystal embers on top of the small crystal embers (for NEFL42/50/60/74/100CHD-1 only).

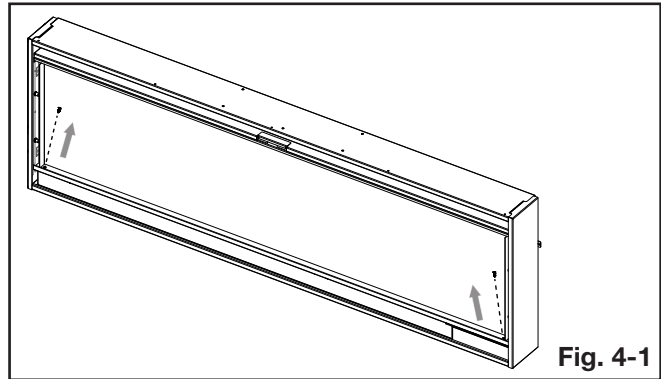


Fig. 4-1



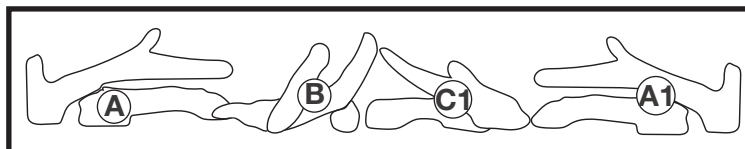
Fig. 4-2

4.2 optional topaz glass chips and driftwood log installation (NEFL42/50/60/74/100CHD-1 only)

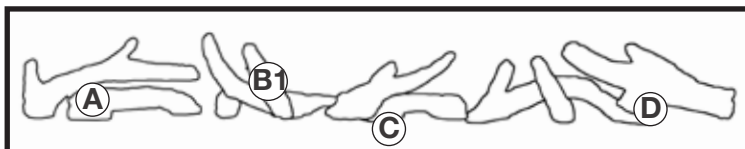
The front glass must be removed and the appliance must be secured in its final location before the optional topaz glass chips and driftwood logs are installed (CHD-1 models only) (see “front glass installation and removal” section).

1. Carefully place driftwood logs on the media tray.
2. Use the topaz glass chips to fill in spaces between the driftwood logs. This will improve the overall look of the appliance.

Reference	Log Number
A	W135-0728-SER
A1	W135-0728-SER Rear Side
B	W135-0729-SER
B1	W135-0729-SER Rear Side
C	W135-0730-SER
C1	W135-0730-SER Rear Side
D	W135-0731-SER



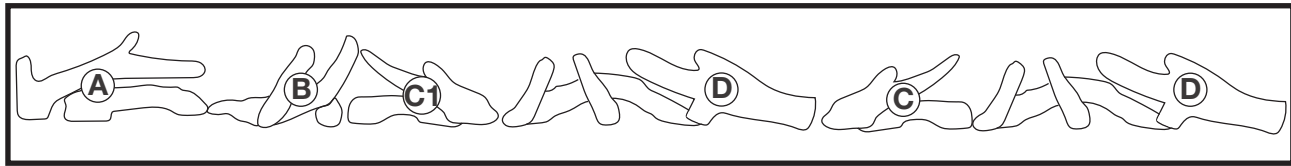
Recommended driftwood log placement for NEFL42CHD-1



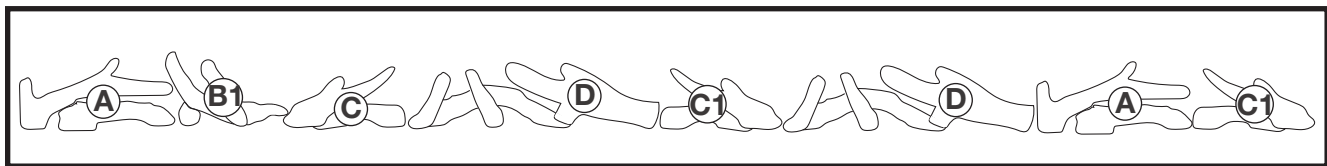
Recommended driftwood log placement for NEFL50CHD-1



Recommended driftwood log placement for NEFL60CHD-1



Recommended driftwood log placement for NEFL74CHD-1



Recommended driftwood log placement for NEFL100CHD-1

4.3 front glass installation and removal

! WARNING

- Before the front glass is installed or removed, unplug the appliance and wait until appliance is cool to touch. Glass can be heavy and fragile so handle with care.

1. Install the front glass by aligning the pins on the appliance. Move the glass in and down to engage with the brackets (**Fig. 4-2**).
2. Secure the top middle section of the front glass to the appliance using a screw (supplied) (**Fig. 4-3**).
3. Cover the screw with the centre screw cover plate (supplied) (**Fig. 4-4**).
4. Reverse above steps to remove front glass.

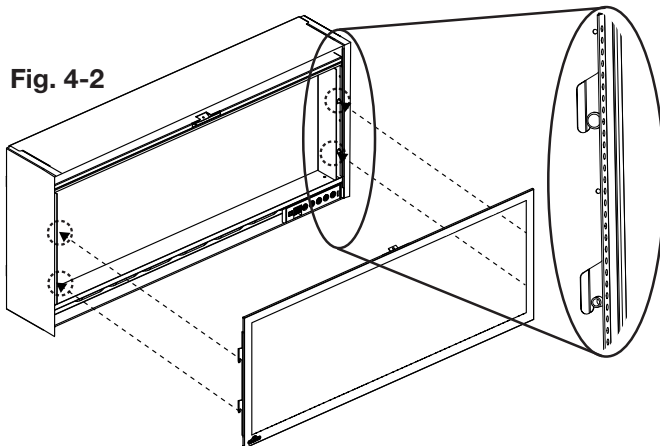


Fig. 4-2

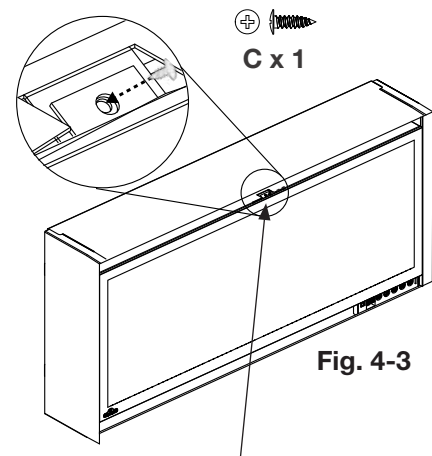


Fig. 4-3

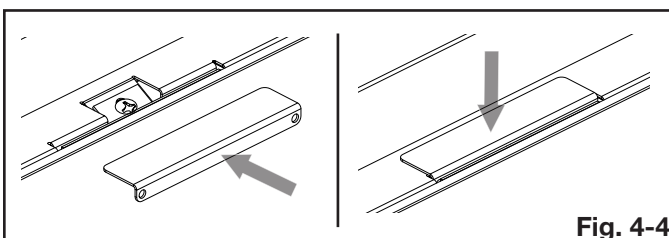


Fig. 4-4

! WARNING

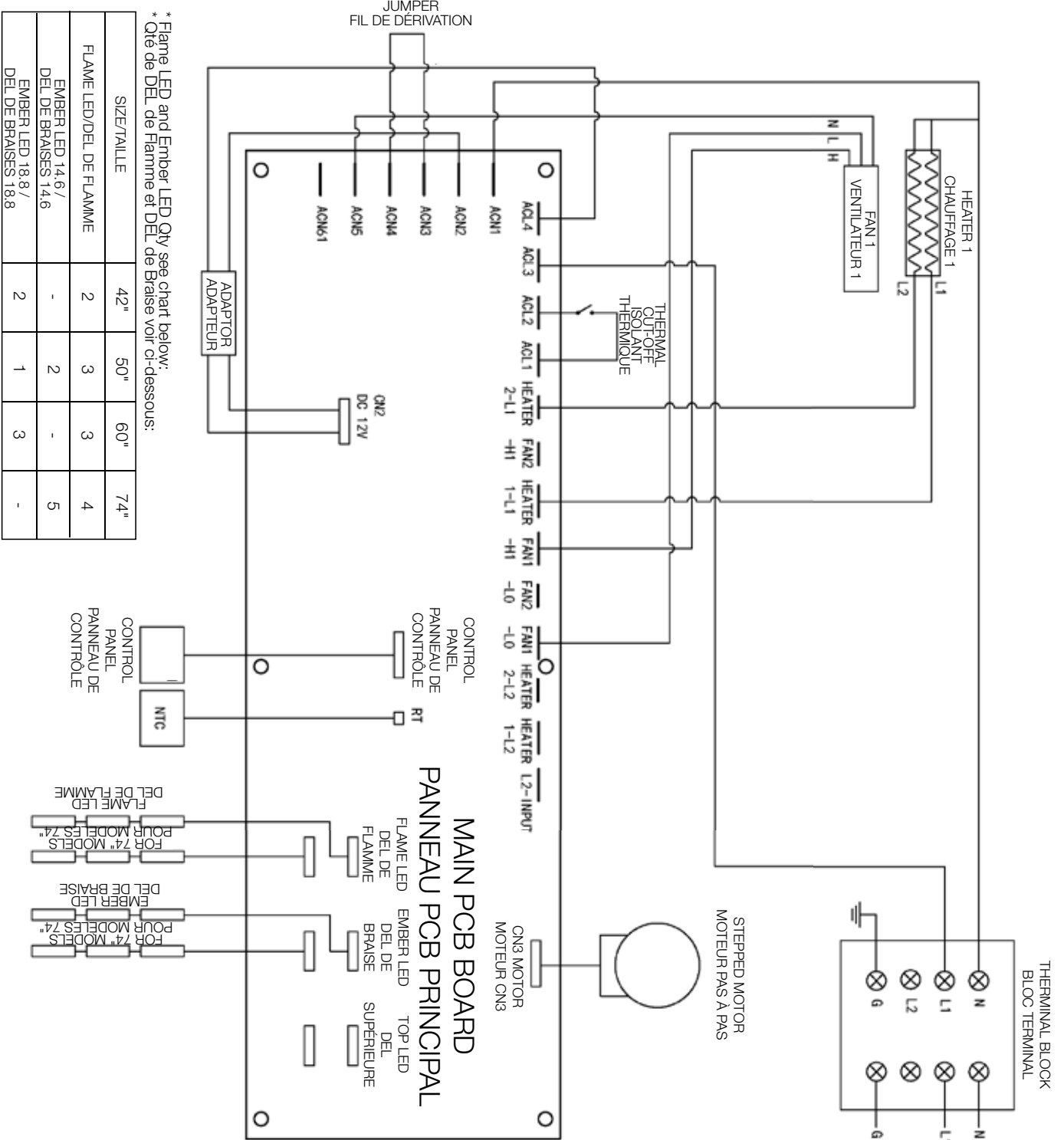
It is essential that the securing screw be installed to ensure the glass assembly isn't accidentally dislodged causing damages and/or personal injury.

5.0 wiring diagram

⚠ WARNING

- Turn off the appliance completely and let cool before servicing. Only a qualified service person should service and repair this electric appliance.

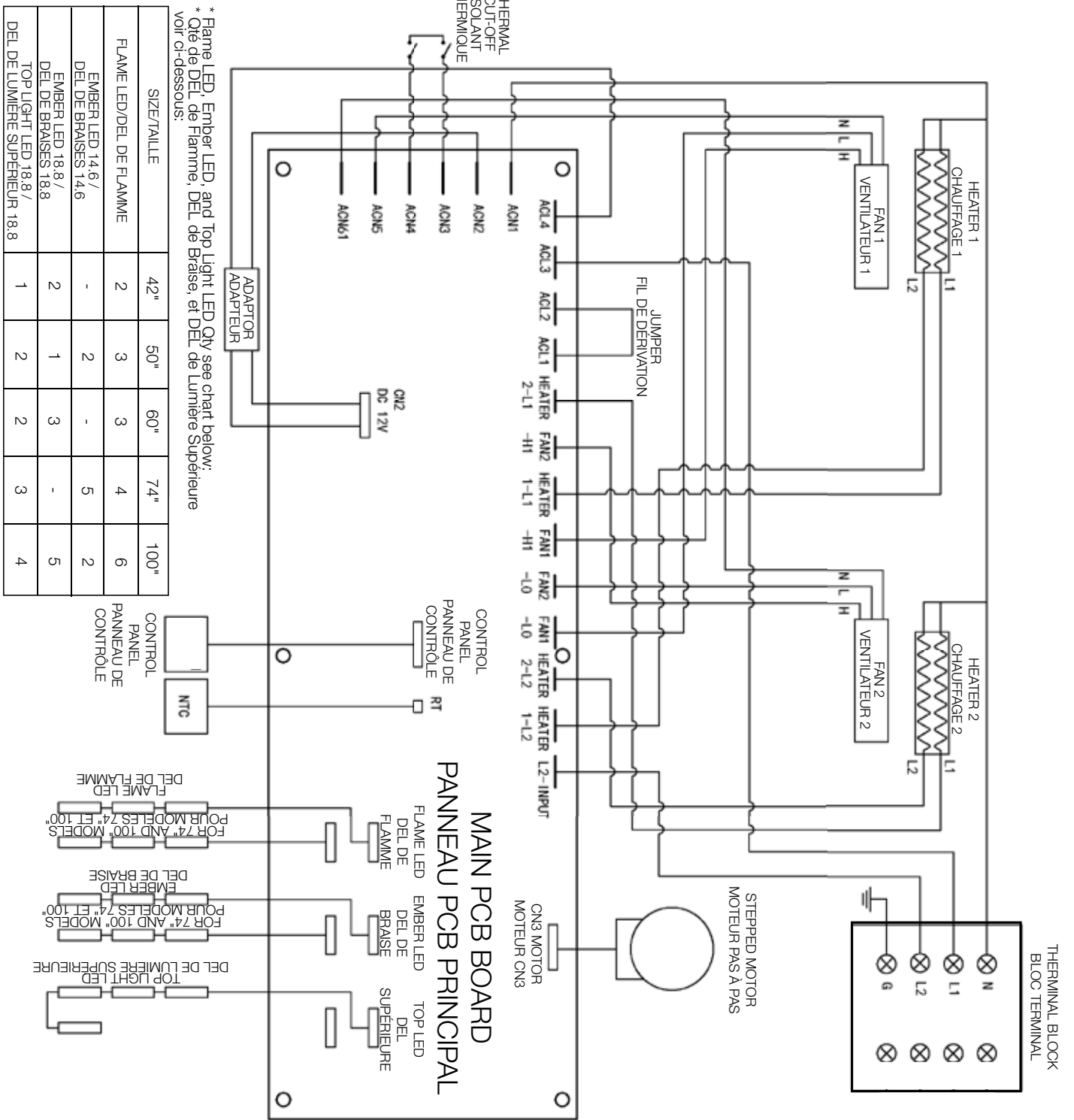
5.1 NEFL42/50/60/74CHS-1 wiring diagram



* Flame LED and Ember LED Qty see chart below:
 * Qté de DEL de Flamme et DEL de Braise voir ci-dessous:

SIZE/TAILLE	42"	50"	60"	74"
FLAME LED/DEL DE FLAMME	2	3	3	4
EMBER LED 14.6/ DEL DE BRAISES 14.6	-	2	-	5
EMBER LED 18.8/ DEL DE BRAISES 18.8	2	1	3	-

5.2 NEFL42/50/60/74/100CHD-1 wiring diagram



6.0 operation

Once the appliance has been plugged into a grounded electrical outlet, it is ready to operate.









attention:

Ensure the house circuit breakers for the power supply are turned on. In the event of a power failure, the appliance will lose its memory function and will reset to factory mode when the power returns.

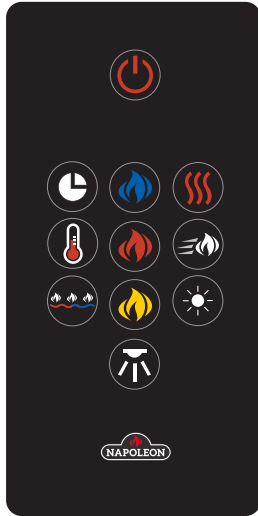
6.1 operating control panel

The control panel is located on the lower right-hand corner of the appliance.

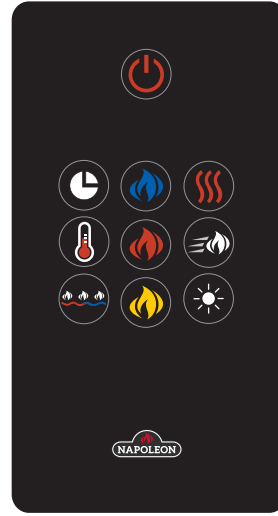


Power		Turns the appliance on/off.
Orange Flame		Controls flame brightness. Settings: F0 - Flame off
Blue Flame		F1 - Dimmest flame F2 - Dim flame F3 - Bright flame F4 - Brightest flame
Heater		Turns the heater and blower on/off. Settings: H0 - Heater and blower off BL - Blower on H1 - Low heat H2 - High heat with blower boost
Ember Bed Light		Controls ember bed light settings. Settings: L0 - Ember bed light off L1 - Red L2 - Blue L3 - Green L4 - White L5 - Yellow L6 - Purple L7 - Auto-cycle through red, blue, green, white, yellow, purple. (NOTE: It will take 3 seconds to switch between colours.) L8 - Lock to desired color
°F / °C	 hold 5 seconds	To change the temperature to Celsius or Fahrenheit, press and hold the yellow flame button for 5 seconds.
Heater Lock	 hold 5 seconds	Heater button can be locked or unlocked by holding the heater button for 5 seconds.
Temperature Control	 hold 5 seconds	Press and hold the blue flame button for 5 seconds. This will change the blue flame button to temperature control or vice-versa. There are 11 temperature settings: 18°C [64°F], 19°C [66°F], 20°C [68°F], 21°C [70°F], 22°C [72°F], 23°C [74°F], 24°C [76°F], 25°C [78°F], 26°C [80°F], 27°C [82°F] and OFF.

6.2 operating remote control



NEFL42/50/60/74/100CHD-1 remote



NEFL42/50/60/74CHS-1 remote

Power		Turns the appliance on/off.
Blue Flame		Controls flame brightness.
Orange Flame		Settings: F0 - Flame off F1 - Dimmest flame
Yellow Flame		F2 - Dim flame F3 - Bright flame F4 - Brightest flame
Heater		Turns the heater and blower on/off. Settings: H0 - Heater and blower off BL - Blower on H1 - Low heat H2 - High heat with blower boost
Flame Speed		Controls the speed of the flame. There are 5 flame speed settings: 01 (slowest) 02, 03, 04, and 05 (fastest).
Top Light <small>NEFL42/50/60/ 74/100CHD-1 only</small>		Same as ember bed color.

Ember Bed Color		Controls ember bed light settings. Settings: L0 - Ember bed light off L1 - Red L2 - Blue L3 - Green L4 - White L5 - Yellow L6 - Purple L7 - Auto-cycle through red, blue, green, white, yellow, and purple. (NOTE: It will take 3 seconds to switch between colours.) L8 - Lock to desired color
Ember Bed Brightness		Controls the brightness of the ember bed light. Settings: B1 - Dimmest B2 - Dim B3 - Bright B4 - Brightest
Timer		There are 10 timer settings: 00, 0.5h, 1h, 2h, 3h, 4h, 5h, 6h, 7h, 8h.
Temperature Control		There are 11 temperature settings: 18°C [64°F], 19°C [66°F], 20°C [68°F], 21°C [70°F], 22°C [72°F], 23°C [74°F], 24°C [76°F], 25°C [78°F], 26°C [80°F], 27°C [82°F] and OFF.

7.0 maintenance

7.1 cleaning

WARNING

- Always turn the heater off and unplug the power cord from the outlet before cleaning, performing maintenance, or moving this appliance. Failure to do so could result in electric shock, fire, or personal injury.
- Never immerse in water or spray with water. Doing so could result in electric shock, fire, or personal injury.

Metal:

- Buff using a soft cloth, slightly dampened with a citrus oil-based product.
- Do not use brass polish or household cleaners as these products will damage the metal trim.

Glass:

- Use a good quality cleaner sprayed onto the cloth or towel. Dry thoroughly with a paper towel or lint-free cloth.
- Never use abrasive cleaners, liquid sprays, or any cleaner that could scratch the surface.

Vents:

- Use a vacuum or duster to remove dust and dirt from the heater and vent areas.

Plastic:

- Wipe gently with a slightly damp cloth and a mild solution of dish soap and warm water.
- Never use abrasive cleaners, liquid sprays, or any cleaner that could scratch the surface.

7.2 remote battery installation

WARNING

- This remote control requires button batteries that are hazardous to young children.
- **WARNING - KEEP BATTERIES OUT OF REACH OF CHILDREN**
- Swallowing may lead to serious injury in as little as 2 hours or death, due to chemical burns and potential perforation of the oesophagus.
- If you suspect your child has swallowed or inserted a button battery, immediately seek urgent medical assistance.
- Examine devices and make sure the battery compartment is correctly secured, e.g. that the screw or other mechanical fastener is tightened. Do not use if compartment is not secure.
- Dispose of used button batteries immediately and safely. Flat batteries can still be dangerous.
- Tell others about the risk associated with button batteries and how to keep their children safe.



1. To replace the existing battery, remove the battery holder.
2. To remove the battery holder, turn the remote onto the front side and press the left side lever towards the center while pulling the battery holder out using the slot provided (**Fig. 7-1**).
3. Replace existing battery (type CR 2025) with a new battery and reinstall the battery holder onto the remote by sliding it into position.
4. Battery cover will 'click' into remote control until secure.

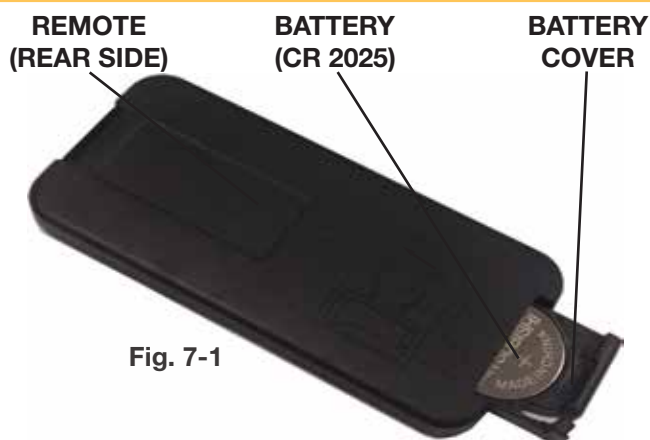


Fig. 7-1

note:

This hand-held remote control must remain within 5 meters (17 feet) of the appliance to be effective. This range may be reduced when battery power is depleted.



Batteries must be disposed of according to the local laws and regulations. Some batteries may be recycled, and may be accepted for disposal at your local recycling center. Check with your municipality for recycling instructions.

8.0 replacement parts

WARNING

- Failure to position the parts in accordance with this manual or failure to use only parts specifically approved with this appliance may result in property damage or personal injury.

Contact your dealer for questions concerning prices and policies on replacement parts. Normally, all parts can be ordered through your Authorized dealer / distributor.

For warranty replacement parts, a photocopy of the original invoice will be required to honour the claim.

When ordering replacement parts always give the following information:

- Model & Serial Number of appliance
- Installation date of appliance
- Part number
- Description of part
- Finish

Parts, part numbers, and availability are subject to change without notice.

Parts identified as stocked will be delivered within 2 to 5 business days for most delivery destinations.

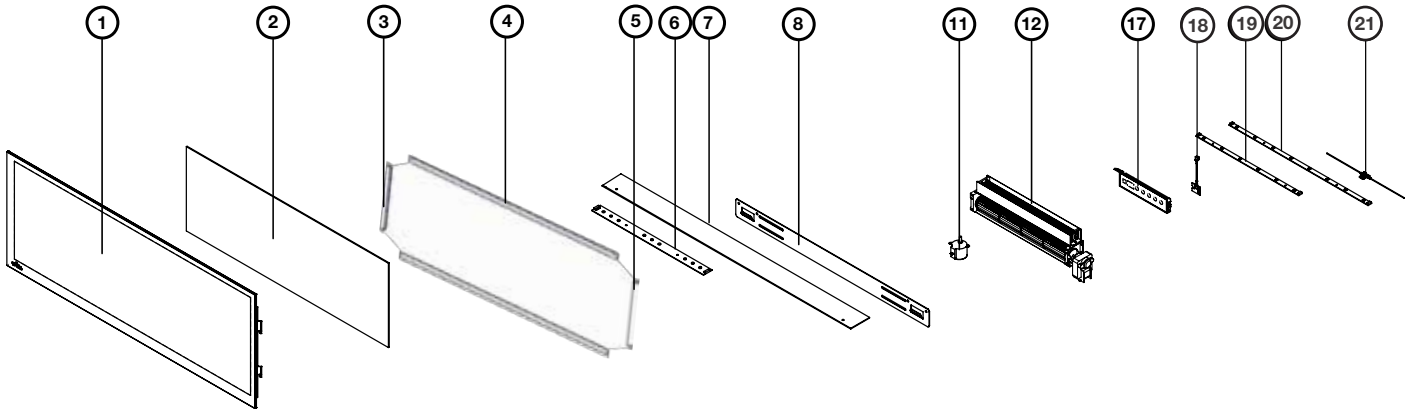
Parts not identified as stocked will be delivered within a 2 to 4 week period, for most cases.

Parts identified as 'SO' are special order and can take up to 90 days for delivery.

8.1 NEFL42/50/60/74CHS-1

note:

Care must be taken when removing and disposing of any broken glass or damaged components. Be sure to vacuum away any broken glass from inside the appliance before operation.

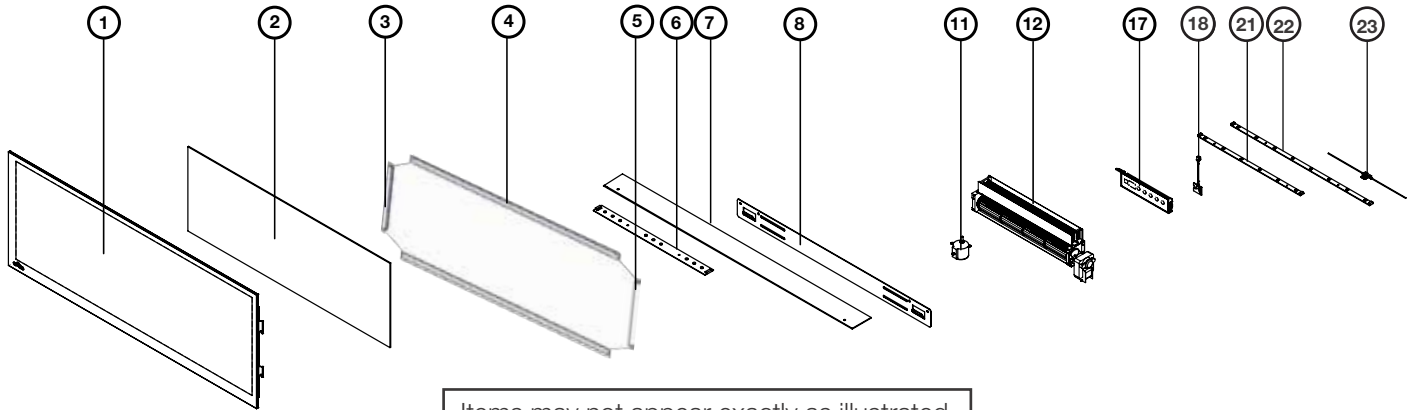


Items may not appear exactly as illustrated.

REF. #	Description	Part Number				Stocked
		NEFL42CHS-1	NEFL50CHS-1	NEFL60CHS-1	NEFL74CHS-1	
1	Front Glass	W010-4188-SER	W010-4189-SER	W010-4190-SER	W010-4191-SER	Yes
2	Flame Projection Plastic Panel	W565-0284-SER	W565-0285-SER	W565-0286-SER	W565-0287-SER	Yes
3	Right Side Trim	W715-1142-SER				Yes
4	Top/Bottom Trim	W715-1151-SER	W715-1152-SER	W715-1153-SER	W715-1154-SER	Yes
5	Left Side Trim	W715-1143-SER				Yes
6	Flame LED Light	W405-0046-SER				Yes
7	Ember Bed Plastic Strip	W565-0296-SER	W565-0297-SER	W565-0298-SER	W565-0299-SER	Yes
8	Wall Mounting Bracket	W080-1616-SER				Yes
9 *	Cord Cover	W200-0572-SER				Yes
10 *	Reflector Spindle	W010-4245-SER	W010-4246-SER	W010-4247-SER	W010-4248-SER	Yes
11	Rotisserie Motor (Kit)	W435-0117-SER				Yes
12	Blower and Heater Assembly	W010-4194-SER				Yes
13 *	Remote Control	W660-0211-SER				Yes
14 *	Main Circuit Board	W190-0188-SER				Yes
15 *	Bag of Crystals	W497-0031-SER				Yes
16 *	Hardware Kit	W370-0119-SER				Yes
17	Control Panel (With Remote Receiver)	W010-4891-SER				Yes
18	Thermostat	G190-0004-SER				Yes
19	14" Ember Bed LED	N/A	W405-0047-SER	N/A	W405-0047-SER	Yes
20	19" Ember Bed LED	W405-0048-SER			N/A	Yes
21	Thermal Cut-Out	W750-0426-SER				Yes

* Part not illustrated

8.2 NEFL42/50/60/74/100CHD-1



Items may not appear exactly as illustrated.

REF. #	Description	Part Number					Stocked
		NEFL42CHD-1	NEFL50CHD-1	NEFL60CHD-1	NEFL74CHD-1	NEFL100CHD-1	
1	Front Glass	W010-4188-SER	W010-4189-SER	W010-4190-SER	W010-4191-SER	W010-4192-SER	Yes
2	Flame Projection Plastic Panel	W565-0284-SER	W565-0285-SER	W565-0286-SER	W565-0287-SER	W565-0288-SER	Yes
3	Right Side Trim	W715-1142-SER					Yes
4	Top/Bottom Trim	W715-1151-SER	W715-1152-SER	W715-1153-SER	W715-1154-SER	W715-1155-SER	Yes
5	Left Side Trim	W715-1143-SER					Yes
6	Flame LED Light	W405-0046-SER					Yes
7	Ember Bed Plastic Strip	W565-0302-SER	W565-0303-SER	W565-0304-SER	W565-0305-SER	W565-0306-SER	Yes
8	Wall Mounting Bracket	W080-1616-SER					Yes
9 *	Cord Cover	W200-0572-SER					Yes
10 *	Reflector Spindle	W010-4245-SER	W010-4246-SER	W010-4247-SER	W010-4248-SER	W010-4249-SER	Yes
11	Rotisserie Motor (Kit)	W435-0117-SER					Yes
12	Blower and Heater Assembly	W010-4194-SER					Yes
13 *	Remote Control	W660-0210-SER					Yes
14 *	Main Circuit Board	W190-0188-SER					Yes
15 *	Bag of Crystals	W497-0031-SER W497-0051-SER	W497-0031-SER W497-0032-SER	W497-0031-SER W497-0045-SER	W497-0031-SER W497-0052-SER	W497-0031-SER W497-0051-SER	Yes
16 *	Hardware Kit	W370-0119-SER					Yes
17	Control Panel (With Remote Receiver)	W010-4891-SER					Yes
18	Thermostat	G190-0004-SER					Yes
19 *	Optional Driftwood Logs	W135-0728-SER (X2) W135-0729-SER W135-0730-SER	W135-0728-SER W135-0729-SER W135-0730-SER W135-0731-SER	W135-0728-SER W135-0729-SER W135-0730-SER (X2) W135-0731-SER	W135-0728-SER W135-0729-SER W135-0730-SER (X2) W135-0731-SER (X2)	W135-0728-SER (X2) W135-0729-SER W135-0730-SER (X3) W135-0731-SER (X2)	Yes
20 *	Optional Topaz Glass Chips Media	W300-0211					Yes
21	14" Ember Bed LED	N/A	W405-0047-SER	N/A	W405-0047-SER	N/A	Yes
22	19" Ember Bed LED	W405-0048-SER			N/A	W405-0048-SER	Yes
23	Thermal Cut-Out	W750-0426-SER					Yes

* Part not illustrated

! WARNING

- Turn off the appliance completely and let cool before servicing. Only a qualified service person should service and repair this electric appliance.

symptom	problem	solution
Appliance will not come on when power button/switch is put into the "on" position.	Appliance is not plugged into an electrical outlet.	Check plug, and plug in the appliance if necessary.
	Hard wire connections are not correct.	See "hard-wiring installation" section.
	Appliance has overheated and safety thermal switch has tripped.	Unplug power or turn off the circuit breaker, allow appliance to cool for 15 minutes, then plug in the appliance or turn the breaker on.
	Main PCB board issue.	Inspect the circuit board and replace, if necessary.
Appliance turns off and will not turn on.	House circuit breaker has tripped.	Reset house circuit breaker.
	Appliance's fuse has blown.	Replace the fuse.
	Appliance has overheated and safety thermal switch has tripped.	Unplug power or turn off the circuit breaker, allow appliance to cool for 15 minutes to reset the thermal switch, then plug in the appliance or turn the breaker on.
Appliance has returned to default settings.	Power failure.	Re-program appliance to original settings (not applicable with all appliances).
Remote control does not work.	Low/dead batteries.	Replace batteries in remote control.
	Remote receiver malfunction.	Ensure remote receiver is not blocked. Replace control panel.
No warm air coming out of the appliance.	Heater setting not selected.	See "operation" section.
	Heater has been locked out.	See "operation" section.
	Room temperature is higher than appliance setting (if set to room temperature).	Reset temperature setting.
	Appliance has overheated and safety thermal switch has tripped.	Unplug power or turn off the circuit breaker. Allow for appliance to cool for 15 minutes.
	Hard wire connections are not correct.	See "hard-wiring installation" section.
	Heater issue.	Inspect the blower and heater and replace, if necessary.
Heater shuts off automatically.	Room is too warm.	The heater has a built-in thermostat so it will shut off automatically once the pre-set temperature is reached. It will also turn on automatically if the room temperature drops below the pre-set temperature.
Dim or no flame.	Flame brightness not selected.	See "operation" section.
	Flame LEDs issue.	Inspect the LED and replace, if necessary.
	Main PCB board issue.	Inspect the main PCB board and replace, if necessary.
Flame does not move.	Motor is stalled/malfunctioning.	Cycle on/off. If problem persists, consult dealer.

symptom	problem	solution
Ember bed is not glowing or dimming.	Brightness not selected.	See “operation” section.
	Ember LED issue.	Inspect the ember bed LEDs and replace, if necessary.
	Main PCB board issue.	Inspect the main PCB board and replace, if necessary.
LED flashing “OH”.	Appliance has overheated and safety thermal switch has tripped.	Unplug power or turn off the circuit breaker. Allow appliance to cool for 15 minutes, then plug in the appliance or turn the breaker on. If problem persists, consults your dealer.

Napoleon electric appliances are manufactured under the strict Standard of the world recognized ISO 9001 : 2015 Quality Management System.

Napoleon products are designed with superior components and materials and assembled by trained craftsmen who take great pride in their work. Once assembled, the complete appliance is thoroughly inspected by a qualified and authorized installer, service agency, or supplier before packing to ensure that you, the customer, receive the quality product that you expect from **Napoleon**.

Napoleon Electric Appliance Premium Warranty

Electrical components and wearable parts are covered and **Napoleon** will provide replacement parts free of charge during the first 2 years of premium warranty. This covers: fan/heaters, motors, switches, nylon bearing components, remote controls, and LED lights.*

Light bulbs and fuses are NOT covered by the warranty.

In the first year only, any labour related to warranty repair is covered.

* Construction of models vary. Warranty applies only to components included with your specific appliance.

Conditions and Limitations

Napoleon warrants its products against manufacturing defects to the original purchaser only. Registering your warranty is not necessary. Simply provide your proof of purchase along with the model and serial number to make a warranty claim. Provided that the purchase was made through an authorized **Napoleon** dealer, your appliance is subject to the following conditions and limitations:

Warranty coverage begins on the date of original installation.

This factory warranty is non-transferable and may not be extended whatsoever by any of our representatives.

Installation must be done in accordance with the installation instructions included with the product and all local and national building and fire codes.

This premium warranty does not cover damages caused by misuse, lack of maintenance, accident, alterations, abuse, or neglect and parts installed from other manufacturers will nullify this warranty.

This premium warranty further does not cover any scratches, dents, corrosion, or discolouring caused by excessive heat, abrasive and chemical cleaners, nor chipping on porcelain enamel parts, mechanical breakage of PHAZER™ logs.

In the first 2 years only, this warranty extends to the repair or replacement of warranted parts which are defective in material or workmanship, provided that the product has been operated in accordance with the operation instructions and under normal conditions.

After the first year, **Napoleon** will not be responsible for installation, labour, or any other expenses related to the reinstallation of a warranted part, and such expenses are not covered by this warranty. Notwithstanding any provisions contained in the Premium Warranty, **Napoleon** responsibility under this warranty is defined as above, and it shall not in any event extend to any incidental, consequential, or indirect damages.

This warranty defines the obligations and liability of **Napoleon** with respect to the **Napoleon** electric appliance and any other warranties expressed or implied with respect to this product; its components or accessories are excluded.

Napoleon neither assumes, nor authorizes any third party to assume, on its behalf, any other liabilities with respect to the sale of this product.

Any damages to appliance, brass trim or other component due to water, weather damage, long periods of dampness, condensation, damaging chemicals, or cleaners will not be the responsibility of **Napoleon**.

Napoleon reserves the right to have its representative inspect any product or part thereof prior to honouring any warranty claim.

All parts replaced under the Premium Warranty Policy are subject to a single claim.

All parts replaced under the warranty will be covered for a period of 90 days from the date of their installation.

The manufacturer may require that defective parts or products be returned or that digital pictures be provided to support the claim. Returned products are to be shipped prepaid to the manufacturer for investigation. If a product is found to be defective, the manufacturer will repair or replace such defect.

Before shipping your appliance or defective components, your dealer must obtain an authorization number. Any merchandise shipped without authorization will be refused and returned to sender.

Shipping costs are not covered under this warranty.

Additional service fees may apply if you are seeking warranty service from a dealer.

All specifications and designs are subject to change without prior notice due to on-going product improvements. **Napoleon** is a registered trademark of Wolf Steel Ltd.

NAPOLEON CELEBRATING OVER 40 YEARS OF HOME COMFORT PRODUCTS



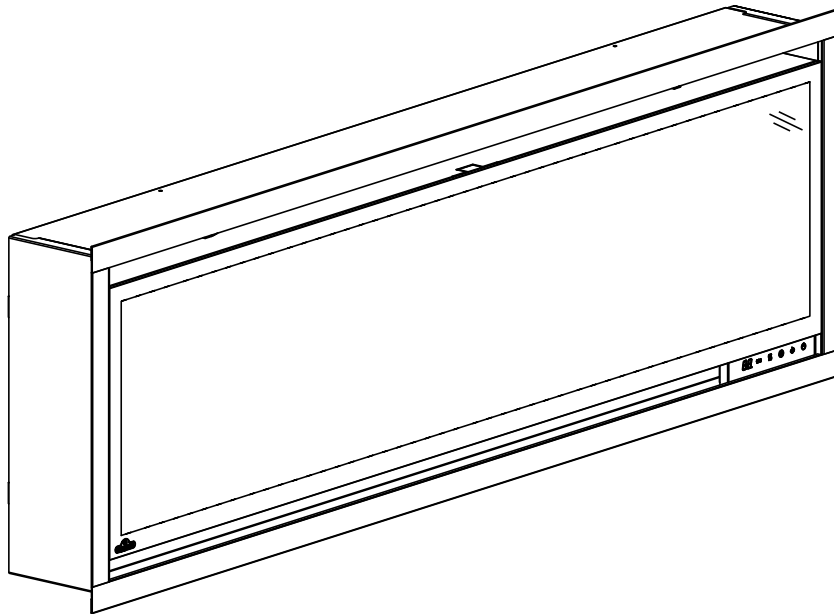
7200, Route Transcanadienne, Montréal, Québec H4T 1A3
24 Napoleon Road, Barrie, Ontario, Canada L4M 0G8
214 Bayview Drive, Barrie, Ontario, Canada L4N 4Y8
103 Miller Drive, Crittenden, Kentucky, USA 41030
De Riemsdijk 22, 4004 LC Tiel, The Netherlands

Phone: 1-866-820-8686
napoleon.com



MANUEL D'INSTALLATION ET D'OPÉRATION

Série Alluravision^{MD}
(NEFL50CHD-1 illustré)



CONSIGNES DE SÉCURITÉ

AVERTISSEMENT

RISQUE D'INCENDIE OU D'EXPLOSION

Si ces instructions ne sont pas suivies à la lettre, un incendie pourrait s'ensuivre causant des dommages matériels, des blessures corporelles ou des pertes de vie.

- N'entreposez pas et n'utilisez pas d'essence ou autres liquides et vapeurs inflammables à proximité de cet appareil ou tout autre appareil.

INSTALLATEUR:

Laissez ce manuel avec l'appareil

PROPRIÉTAIRE:

Conservez ce manuel pour consultation ultérieure.



Cet appareil dispose d'une télécommande qui nécessite des piles à bouton qui sont dangereuses pour les jeunes enfants.

POUR L'UTILISATION INTÉRIEUR SEULEMENT

CERTIFIÉ SELON LES NORMES NATIONALES CANADIENNES ET AMÉRICAINES:
CSA 22.2 NO. 46 / UL 2021



Wolf Steel Ltd., 24 Napoleon Rd., Barrie, ON, L4M 0G8 Canada / 103 Miller Drive, Crittenden, Kentucky, USA, 41030
Téléphone 1 (866) 826 8686 • www.napoleon.com • hearth@napoleon.com

AVERTISSEMENT

- **Si équipé avec un chauffage, cet appareil peut être chaud lorsqu'il fonctionne et peut causer de graves brûlures en cas de contact.**
- Ne faites pas fonctionner l'appareil avant d'avoir lu et compris les instructions d'utilisation. L'incapacité de respecter les instructions pourrait causer un incendie ou des blessures corporelles.
- N'installez pas de composants endommagés ou incomplets, ni des composants de substitution.
- Ne brûlez pas de bois ou autres matériaux dans cet appareil.
- Tous les appareils électriques contiennent des composants internes qui deviennent chauds et qui produisent des étincelles. N'utilisez pas cet appareil dans des endroits où de l'essence, des peintures ou d'autres liquides inflammables sont présents.
- Les grillages de sécurités ou écrans enlevés pour faire l'entretien devront être remis en place avant d'utiliser l'appareil.
- Il est primordial de garder propres les compartiments de contrôle, les brûleurs, la soufflerie, les bouches d'air de l'appareil ainsi que le système d'évacuation. L'appareil et son système d'évacuation doivent être inspectés avant la première utilisation et au moins une fois l'an par un spécialiste en entretien. Un entretien plus fréquent pourrait être nécessaire en raison des peluches provenant des tapis, literie, etc. L'emplacement de l'appareil doit être gardé libre de tous matériaux combustibles, essence ou autres liquides et vapeurs inflammables.
- Cet appareil ne devra être modifié en aucun cas.
- N'utilisez pas cet appareil si une partie quelconque a été submergée. Contactez immédiatement un technicien de service qualifié pour inspecter l'appareil et pour remplacer toute pièce du système de contrôle qui aurait été submergée.
- Si équipé avec une porte vitrée, n'opérer pas l'appareil lorsque la porte vitrée est enlevée, fissurée ou brisée. Le remplacement de la vitre devra être effectué par un technicien de service certifié ou qualifié.
- Si équipé avec un porte vitrée, ne frappez pas et ne claquez pas la porte vitrée de l'appareil.
- Les matériaux d'emballage doivent être gardés hors de la portée des enfants et mis au rebut de façon sécuritaire. Comme tous les emballages de plastique, ceux-ci ne sont pas des jouets et doivent demeurer hors de la portée des enfants et des bébés.
- L'entretien ne doit être effectué que lorsque l'appareil est débranché du circuit électrique.
- Débranchez toujours l'appareil lorsqu'il n'est pas utilisé.
- N'utilisez pas l'appareil si le cordon d'alimentation ou la fiche sont endommagés, s'il ne fonctionne pas bien, ou s'il a été échappé ou endommagé d'une quelconque façon. Retournez l'appareil à un centre de service autorisé pour une inspection, des ajustements électriques ou mécaniques ou une réparation.
- N'utilisez pas cet appareil à l'extérieur.
- Lorsque vous installez cet appareil dans une pièce où l'eau est présente, l'installation doit se conformer aux codes reconnaissant le risque accru de décharge électrique et d'électrocution.

note:

Cet appareil NE PEUT PAS être installé dans une salle de bain.

- Ne passez pas le cordon d'alimentation sous un tapis. Ne recouvrez pas le cordon avec des carpettes, des tapis de couloir ou autres revêtements similaires. Évitez de placer le cordon dans un endroit passant ou à un endroit où il risque de causer des chutes.
- Branchez seulement dans une prise de courant adéquatement mise à la terre.
- N'insérez pas d'objets dans les ouvertures d'entrée d'air ou de sortie d'air puisque cela risque d'endommager l'appareil ou causer des chocs électriques ou un incendie.
- Il est normal que votre appareil électrique produise du bruit, surtout s'il est installé dans un endroit calme comme un chambre à coucher.

! AVERTISSEMENT

- Pour prévenir les risques d'incendie, ne bloquez pas les entrées d'air et les sorties d'air de quelque manière que ce soit. Ne placez pas cet appareil sur une surface molle telle qu'un tapis où les ouvertures pourraient se bloquer.
- Toujours brancher l'appareil directement dans une prise murale. N'utilisez pas de cordons d'alimentation ou une robinet d'alimentation relogeables (alimentation/multiprise).
- Cet appareil a été testé et homologué pour usage avec les accessoires optionnels listés dans ce manuel uniquement. L'utilisation d'accessoires optionnels qui n'ont pas été spécifiquement testés pour cet appareil électrique annulera la garantie de l'appareil et/ou présentera des risques pour la sécurité.

Pour les appareil équipé avec chauffage:

- Risque de brûlures. L'appareil doit être éteint et refroidi avant d'effectuer l'entretien. Pour débrancher l'appareil, mettez d'abord les boutons de contrôle à « OFF » puis retirez la fiche de la prise de courant.
- Les jeunes enfants doivent être supervisés attentivement lorsqu'ils sont dans la même pièce que l'appareil recommandés s'il y a dans la maison des individus à risque. Les jeunes enfants et autres personnes sont sujets aux brûlures accidentelles. Une barrière de protection est recommandée s'il y a dans la maison des individus à risque. Afin de restreindre l'accès à l'appareil, installez une barrière de protection ajustable pour garder les jeunes enfants ou autres personnes à risque hors de la pièce et loin des surfaces chaudes.
- Les vêtements et autres matériaux combustibles ne doivent pas être posés sur l'appareil ou à proximité.
- En raison des températures élevées, l'appareil devrait être placé loin des endroits passants et loin des meubles et des rideaux.
- Assurez-vous de disposer de mesures de sécurité adéquates pour empêcher les jeunes enfants de toucher aux surfaces chaudes.
- Même lorsque l'appareil est éteint, la porte et l'écran demeureront chauds pendant un bon moment.
- Consultez votre détaillant local de foyer pour connaître les grillages de sécurité et les écrans offerts pour protéger les enfants des surfaces chaudes. Ces grillages de sécurité et ces écrans doivent être fixés au plancher.
- Assurez-vous de respecter les dégagements aux matériaux combustibles lorsque vous installez un manteau ou des tablettes au-dessus de l'appareil. Les téléviseurs et autres composants électroniques soumis à des températures élevées peuvent fondre, se déformer, se décolorer et entraîner des défaillances prématurées de ces appareils.

! AVERTISSEMENT: Ce produit peut vous exposer à des substances chimiques incluant le plomb et les composés de plomb qui, selon l'État de Californie, causeraient le cancer, et des substances chimiques incluant le BBP et DEHP qui, selon d'État de Californie, causeraient des malformations congénitales ou autres dangers pour la reproduction. Pour de plus amples renseignements, visitez le www.P65Warnings.ca.gov.

table de matières

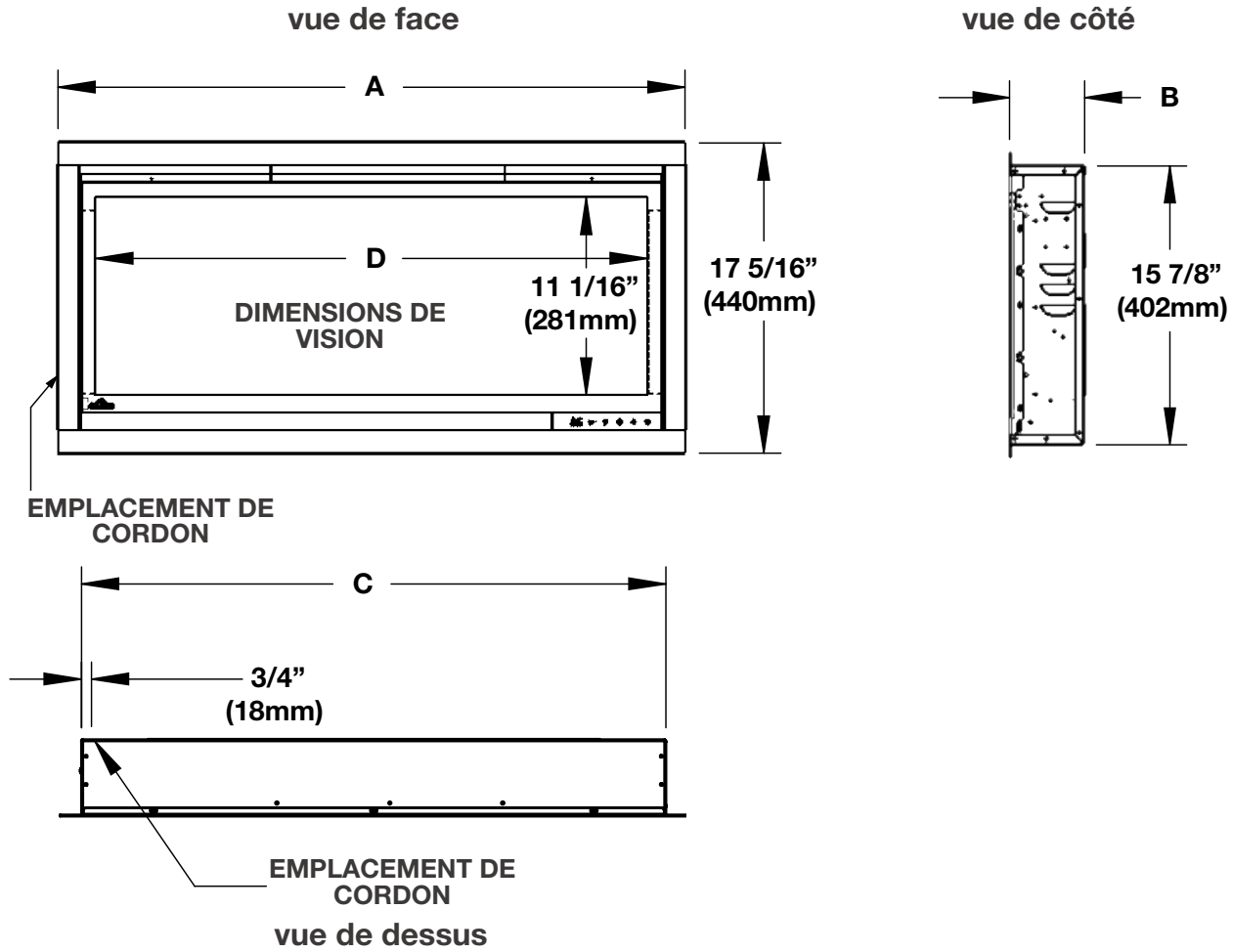
FR

1.0	information générale	39
1.1	dimensions	39
1.2	homologations	40
1.3	instructions générales	40
1.4	information à propos de la plaque d'homologation	41
1.5	liste de pièces	41
1.6	emplacement de l'étiquette	42
1.7	déballage et vérification de l'appareil	43
1.8	mise à la terre de l'appareil	43
2.0	installation	44
2.1	dégagements minimale aux combustibles	44
2.2	dégagements minimaux de la tablette	44
2.3	installation de montage murale	45
2.3.1	installation des panneaux latérales (optionnelle, installation de montage murale seulement)	46
2.4	installation encastré	47
2.4.1	ossature	47
2.4.2	instructions d'installation encastré	48
2.4.3	installation de la garniture (optionnelle)	49
2.5	installation de l'appareil dans une tablette	50
3.0	information électrique	51
3.1	branchement par câble 120V (NEFL42/50/60/74CHS-1 seulement)	51
3.2	branchement par câble 120V (NEFL42/50/60/74/100CHD-1 seulement)	52
3.3	branchement par câble 240V (NEFL42/50/60/74/100CHD-1 seulement)	53
4.0	finitions	54
4.1	installation de braise en cristal	54
4.2	installation des chips de verre topaz et bûches de bois flotté optionnel (NEFL42/50/60/74/100CHD-1 seulement)	54
4.3	installation et enlèvement du verre avant	55
5.0	schéma de câblage	56
5.1	schéma de câblage NEFL42/50/60/74CHS-1	56
5.2	schéma de câblage NEFL42/50/60/74/100CHD-1	57
6.0	fonctionnement	58
6.1	fonctionnement du panneau de contrôle	58
6.2	fonctionnement de la télécommande	59
7.0	entretien	60
7.1	nettoyage	60
7.2	installation des piles de la télécommande	61
8.0	pièces de rechange	62
8.1	NEFL42/50/60/74CHS-1	63
8.2	NEFL42/50/60/74/100CHD-1	64
9.0	guide de dépannage	65
10.0	garantie	67

note:

L'information contenue dans ce manuel est jugée correcte au moment de l'impression. Wolf Steel Ltée. se réserve le droit de modifier ou de modifier toute information contenue dans ce manuel à tout moment sans préavis. Les modifications, autres que les éditoriaux, sont désignées par une ligne verticale dans la marge.

1.1 dimensions



Dimensions				
N° de Modèle	A	B	C	D
NEFL42CHS-1	44 7/16" (1128mm)	4 1/4" (108mm)	42 1/16" (1068mm)	40 1/4" (1022mm)
NEFL50CHS-1	52 11/16" (1338mm)		50 5/16" (1278mm)	48 1/2" (1232mm)
NEFL60CHS-1	62 9/16" (1588mm)		60 3/16" (1528mm)	58 5/16" (1482mm)
NEFL74CHS-1	76 3/4" (1948mm)		74 5/16" (1888mm)	72 1/2" (1842mm)
NEFL42CHD-1	44 7/16" (1128mm)	5 13/16" (148mm)	42 1/16" (1068mm)	40 1/4" (1022mm)
NEFL50CHD-1	52 11/16" (1338mm)		50 5/16" (1278mm)	48 1/2" (1232mm)
NEFL60CHD-1	62 9/16" (1588mm)		60 3/16" (1528mm)	58 5/16" (1482mm)
NEFL74CHD-1	76 3/4" (1948mm)		74 5/16" (1888mm)	72 1/2" (1842mm)
NEFL100CHD-1	102 11/16" (2608mm)		100 5/16" (2548mm)	98 1/2" (2502mm)

information générale

FR

1.2 homologations

N° de Modèle	Poids Net	Poids Brut
NEFL42CHD-1	63,3 lbs (28,7kg)	82,7 lbs (37,5kg)
NEFL50CHD-1	71,7 lbs (32,5kg)	94,8 lbs (43kg)
NEFL60CHD-1	82,7 lbs (37,5kg)	109,1 lbs (49,5kg)
NEFL74CHD-1	99,6 lbs (45,2kg)	130 lbs (59kg)
NEFL100CHD-1	130 lbs (59kg)	167,6 lbs (76kg)
NEFL42CHS-1	46,7 lbs (21,2kg)	62,4 lbs (28,3kg)
NEFL50CHS-1	54,5 lbs (24,7kg)	73 lbs (33,1kg)
NEFL60CHS-1	63,3 lbs (28,7kg)	84,2 lbs (38,2kg)
NEFL74CHS-1	77,2 lbs (35kg)	103,6 lbs (47kg)

Description	Appareil Électrique
Type	Appareil de Montage à 3 Façons: Montage Murale, Encastré dans le Mur, et Assemblé avec une Tablette
Voltage	120V AC / 240V AC *
Watts	MAX 1450W / 2800W *
Amps	Dédié 15 AMP circuit mis à la terre

*Ne s'applique pas à NEFL42/50/60/74CHS-1

Cet appareil a été testé conformément aux normes CSA pour les appareils électroménagers fixes et dédiés aux locaux électriques aux États-Unis et au Canada. Si vous avez besoin d'aide lors de l'installation, contactez votre agence locale.

note:

Cet appareil doit être électriquement câblé et mis à la terre conformément aux codes locaux ou, en l'absence de codes locaux, avec la dernière édition d'ANSI/NFPA 70 du National Code Électrique aux États-Unis ou le Code Canadien de l'Électricité CSA C22.1 au Canada.

1.3 instructions générales

- Avant de brancher votre appareil dans une prise de courant, vérifiez si le disjoncteur de la maison pour ce circuit est allumé.
- Il est possible que l'appareil dégage une légère odeur inoffensive lors de la première utilisation. Cela est une condition normale causée par le chauffage initial des éléments de l'appareil. Elle ne se reproduira plus.
- Si votre appareil n'émet pas de chaleur lorsqu'il est sollicité, consultez la section « fonctionnement » de ce manuel pour de plus amples renseignements.

Cet appareil électrique répond aux normes de construction et de sécurité du H.U.D. pour des applications dans des maisons préfabriquées lorsque installé selon ces instructions.

Comme pour la plupart des appareils électroniques, votre nouveau appareil électrique a été conçu pour fonctionner à des températures entre 5°C (41°F) et 35°C (95°F). Pendant les mois d'hiver plus froids, laissez l'appareil devenir la température ambiante avant de l'allumer.

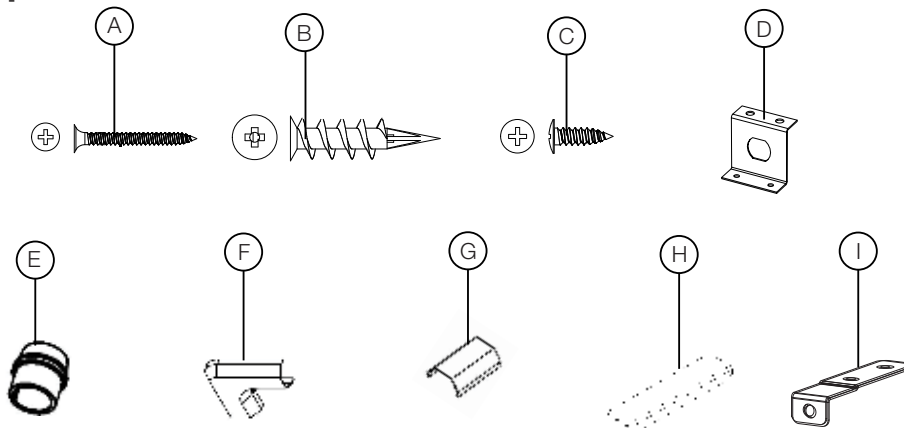
1.4 information à propos de la plaque d'homologation

Cette illustration est à titre d'illustration seulement. Consultez la plaque d'homologation pour obtenir l'information précise.



note:
La plaque d'homologation doit resté avec l'appareil à tous les temps. Elle ne doit pas être enlevée.

1.5 liste de pièces

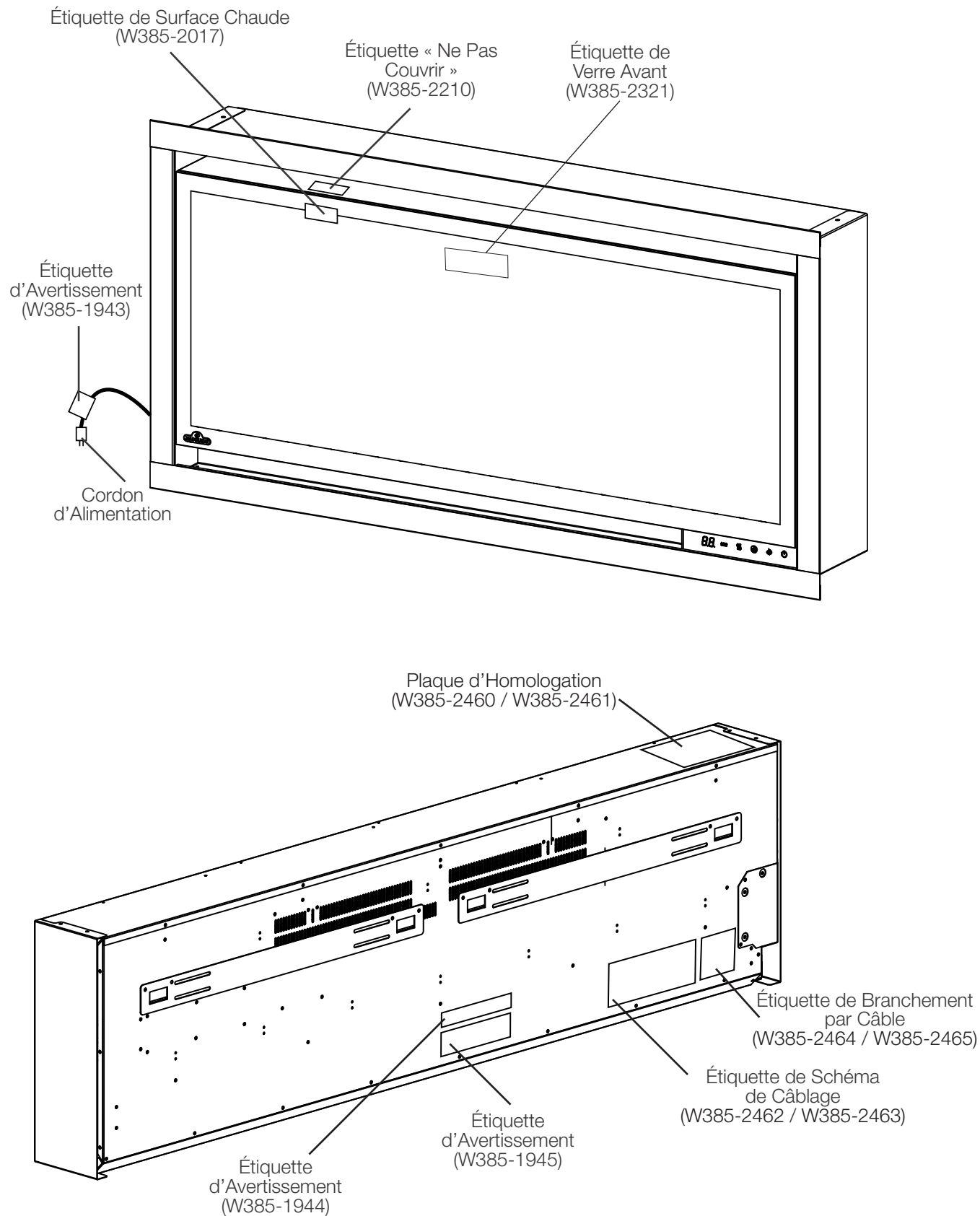


	Description	Quantité				
		NEFL42CHS-1 / NEFL42CHD-1	NEFL50CHS-1 / NEFL50CHD-1	NEFL60CHS-1 / NEFL60CHD-1	NEFL74CHS-1 / NEFL74CHD-1	NEFL100CHD-1
A	Vis à Bois	8		14		
B	Ancres de Cloison Sèches	8		14		
C	ST4x12 Vis Métalliques	25				
D	Plaque de Recouvrement de Boîte de Jonction	1				
E	Soulagement de Traction	1				
F	Coin de Cordon	2				
G	Connecteur de Couvercle de Cordon	2				
H	Plaque de Recouvrement de Vis Centrale	1				
I	Support de Montage de Mur Latéral	2				

information générale

FR

1.6 emplacement de l'étiquette



1.7 déballage et vérification de l'appareil

! AVERTISSEMENT

- En raison des températures élevées, cet appareil électrique doit être situé hors de circulation. Conservez des matériaux combustibles tels que des meubles, des coussins, des litières, des papiers, des vêtements et des rideaux au moins 36" (91,4cm) de l'avant de l'appareil.
- Ne placez jamais cet appareil électrique là où il peut tomber dans un baignoire ou un autre contenant d'eau.
- Portez des gants de sécurité et des lunettes de sécurité pour la protection pendant l'installation et la maintenance.
- Pour éviter tout contact avec une isolation affaissée ou perdue, l'appareil électrique ne doit pas être installé contre un pare-vapeur ou un isolant exposé. Une surchauffe localisée pourrait se produire et un incendie pourrait en résulter.
- N'exposez pas l'appareil électrique aux éléments (c.à.d. la pluie, etc.).

Retirez délicatement l'appareil de la boîte et retirez les supports. Avant d'installer l'appareil, retirez tous les matériaux d'emballage et vérifiez que l'appareil fonctionne correctement en branchant le cordon d'alimentation dans une prise de terre minimale de 120V, 15 ampères, mise à la terre.

note:

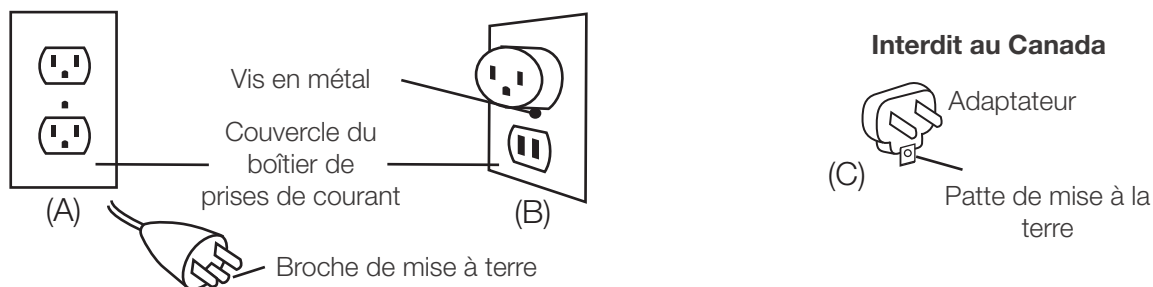
L'appareil est livré avec le verre avant non-assemblée sur l'appareil. Voir la section « installation et enlèvement du verre avant » pour l'assemblage. Le verre avant doit être installé pendant le fonctionnement.

1.8 mise à la terre de l'appareil

Les modèles NEFL42/50/60/74CHS-1 doivent être branchés sur un circuit de 120 volts; les modèles NEFL42/50/60/74/100CHD-1 doivent être branchés sur un circuit 120 et 240 volts. Son cordon d'alimentation est équipé d'une fiche comme illustré en (A) ci-contre. Un adaptateur, tel qu'illustré en (C), est disponible pour brancher des fiches à trois branches avec mise à la terre dans des prises à deux fentes, tel qu'illustré en (B). La patte verte de mise à la terre de l'adaptateur doit être branchée dans une prise de courant mise à la terre de façon permanente telle qu'un boîtier de prises de courant mis à la terre. L'adaptateur ne doit pas être utilisé si une prise de courant mise à la terre à trois fentes est disponible.

Pour débrancher l'appareil, mettez les boutons de contrôle à « OFF » puis retirez la fiche de la prise du courant.

Méthodes de mise à la terre



note:

Cet appareil doit être connecté à un circuit de 15 ampères dédié. L'utilisation d'un cordon d'extension N'EST PAS autorisée.

2.0 installation

FR

! AVERTISSEMENT

- Risque d'incendie! Le cordon d'alimentation ne doit pas être coincé contre une arrête vive. Fixez le cordon pour éviter les chutes ou les accrochages afin de réduire le risque d'incendie, de choc électrique ou de blessures corporelles. Ne passez pas le cordon d'alimentation sous un tapis. Ne recouvrez pas le cordon avec des carpettes, des tapis de couloir ou autres revêtements similaires. Évitez de placer le cordon dans un endroit passant ou à un endroit où il risque de causer des chutes.
- Risque d'incendie! Pour prévenir les risques d'incendie, ne bloquez pas les entrées d'air et les sorties d'air de quelque manière que ce soit. Ne placez pas cet appareil sur une surface molle où les ouvertures pourraient se bloquer.
- Risque d'incendie! Ne soufflez pas ou ne placez pas d'isolant contre l'appareil.
- Cet appareil électrique a été testé et homologué pour usage avec les accessoires optionnels listés dans ce manuel uniquement. L'utilisation d'accessoires optionnels qui n'ont pas été spécifiquement testés pour cet appareil électrique annulera la garantie de l'appareil et/ou présentera des risques pour la sécurité.
- Si ces instructions ne sont pas suivies à la lettre, un incendie ou une explosion pourraient s'ensuivre, causant des dommages matériels, des blessures corporelles ou des pertes de vie. N'entrez pas et n'utilisez pas d'essence ou autres vapeurs inflammables à proximité de cet appareil ou tout autre appareil.
- Étant donné la lourdeur de cet appareil, il est recommandé que deux personnes en fassent l'installation.
ouvertures de la chauffage ne peut pas, dans aucune façon, être recouverts car il peut provoquer un incendie.
- N'exécutez pas le cordon d'alimentation horizontalement, directement en dessous de l'appareil.

Votre appareil est un appareil installé sur le mur, encastré et/ou installé dans une tablette. Sélectionnez un endroit approprié qui ne soit pas susceptible d'être humide et qu'il soit éloigné des rideaux, des meubles, et des zones à fort trafic.

note:

Suivez tous les codes électriques nationaux et locaux.

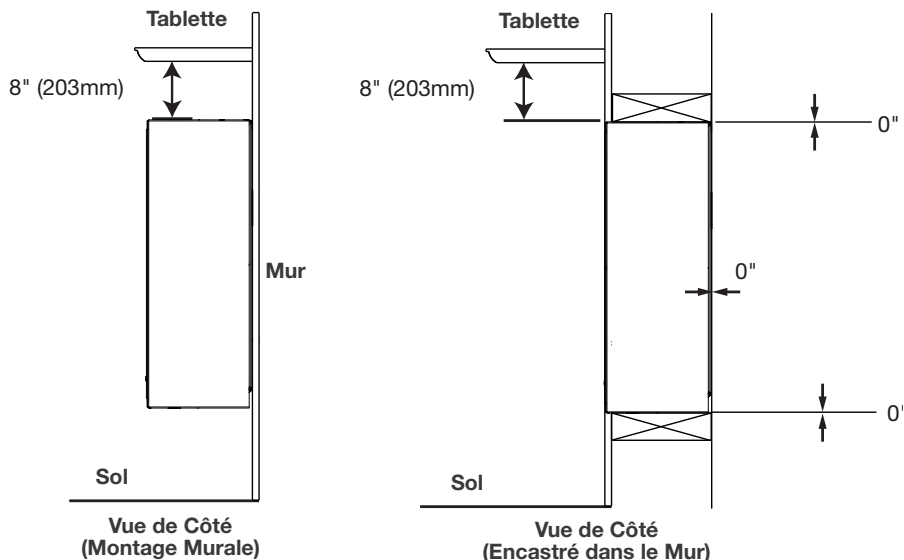
2.1 dégagements minimale aux combustibles

Les mesures sont prises depuis le haut de l'appareil:	
Bas, Côtés, Arrière	0"
Haut	0" encastré dans le mur et 8" (203mm) à la tablette

2.2 dégagements minimaux de la tablette

! AVERTISSEMENT

- Lorsque vous utilisez de la peinture ou de la laque pour finir la tablette, la peinture ou la laque doit être résistante à la chaleur pour éviter la décoloration.



2.3 installation de montage murale

En raison des nombreux matériaux utilisés sur différents murs, il est fortement recommandé de consulter votre constructeur local avant d'installer cet appareil sur le mur.

1. Choisissez un endroit n'est pas propice à l'humidité et se trouve à au moins 36" (91,4cm) des matériaux combustibles tels que les rideaux, les meubles, la literie, le papier, etc.
2. Demandez à deux personnes de tenir l'appareil contre le mur pour déterminer l'emplacement final.
3. Placez l'appareil face vers le bas sur une surface doux et non-abrasive. Retirez le support de l'arrière de l'appareil en retirant les vis (**Fig. 2-1**). Mettez de côté les vis.

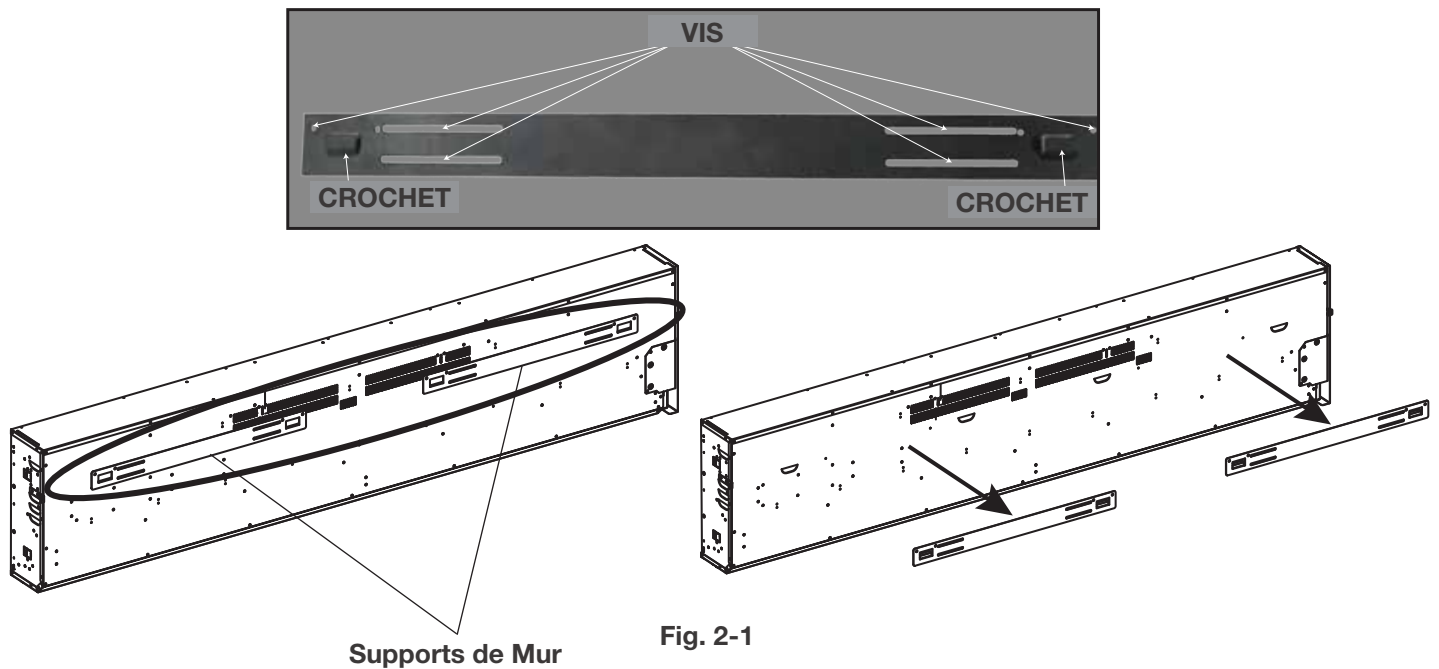


Fig. 2-1

4. Marquez l'emplacement, puis montez le(s) support(s) sur le mur en utilisant les vis (fournies). Ce support doit avoir les crochets vers le haut et être au niveau.

note:

Le support de montage doit être vissé dans les goujons de mur avec au moins 2 vis. Si les vis restantes ne peuvent pas être vissées dans un goujon, assurez-vous que les ancrages en plastique (fournis) sont utilisés pour fixer le support sur le mur et que le support est bien fixé.

⊕ A x 6 pour NEFL42/50CHS/D-1

⊕ B x 6 pour NEFL42/50CHS/D-1

⊕ A x 12 pour NEFL60/74CHS/D-1 & NEFL100CHD-1

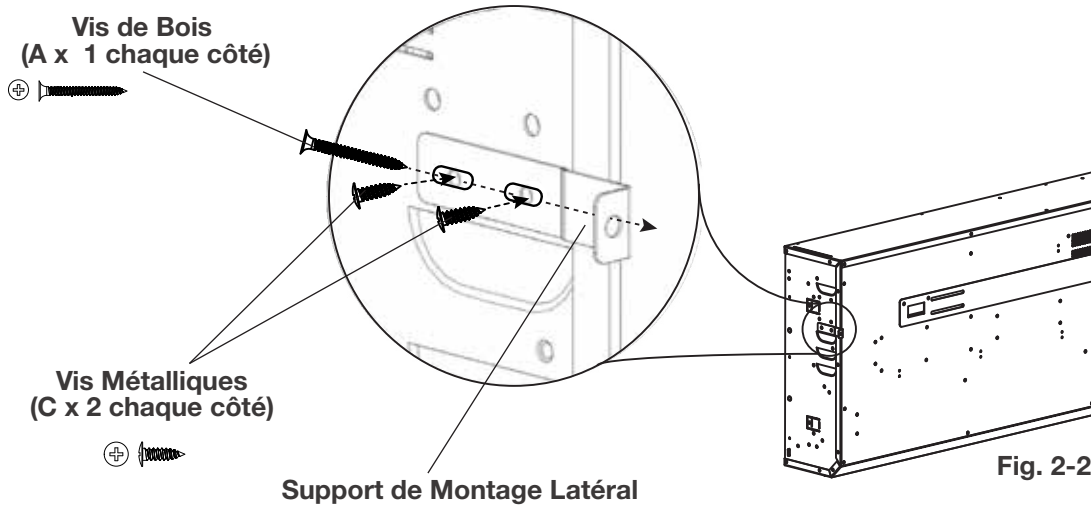
⊕ B x 12 pour NEFL60/74CHS/D-1 & NEFL100CHD-1

5. Avec le support de montage mural installé, demandez à deux personnes de soulever l'appareil et insérer les 2 crochets de support (2 crochets par support) sur le support dans les 2 fentes à l'arrière de l'appareil.
6. Vérifiez la stabilité de l'appareil, en assurant que le support ne s'éloigne pas du mur.

installation

FR

7. Installez 2 vis à travers les supports de montage latéraux (fournis) afin de fixer l'appareil au mur (**Fig. 2-2**). Répétez sur le côté opposé.



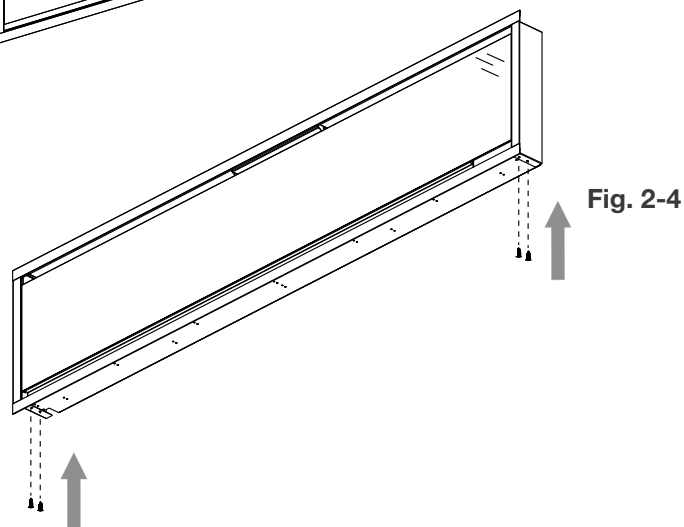
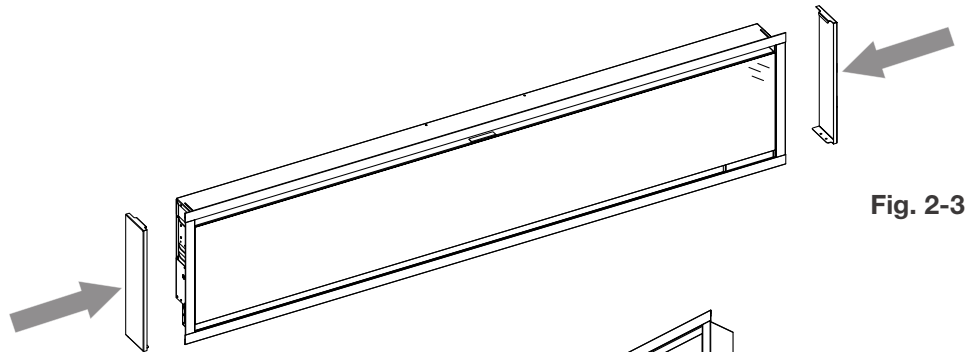
8. Installez les panneaux latéraux (voir la section « installation du panneau latéral »).
9. Placez les cristaux ou les chips de verre topaze et les bûches de bois flotté optionnel (CHD-1 modèles seulement) sur le plateau à média (voir les sections « installation de braise en cristal » ou « installation des chips de verre topaze et bûches de bois flotté optionnel »).
10. Install front glass (see “front glass installation and removal” section).

note:

Pour les modèles NEFL42/50CHS/D-1, il n’y aura qu’un seul support mural attaché à l’arrière de l’appareil.

2.3.1 installation des panneaux latéraux (optionnelle, installation de montage murale seulement)

1. Installez les panneaux gauche et droit (**Fig. 2-3**) en fixant 4 vis (2 par panneau) au bas de l'appareil (**Fig. 2-4**).

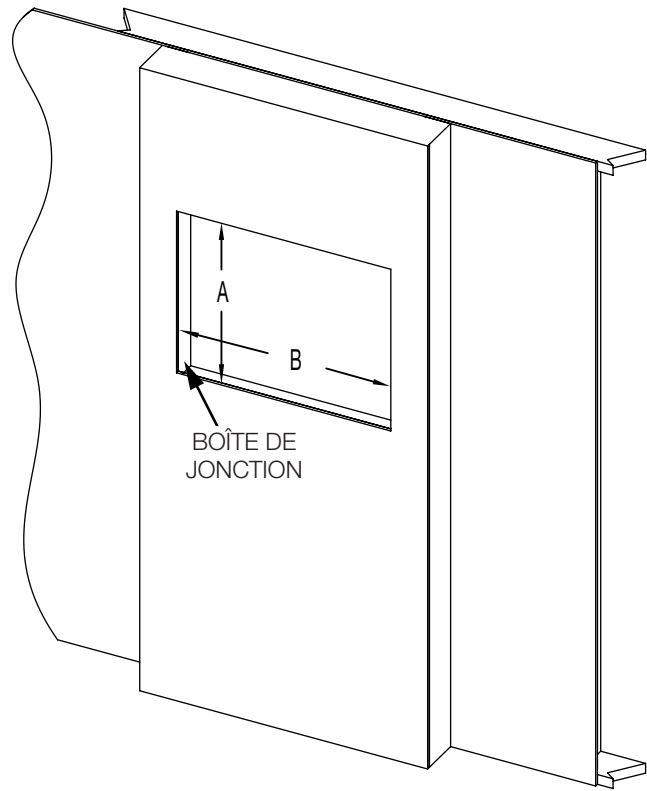
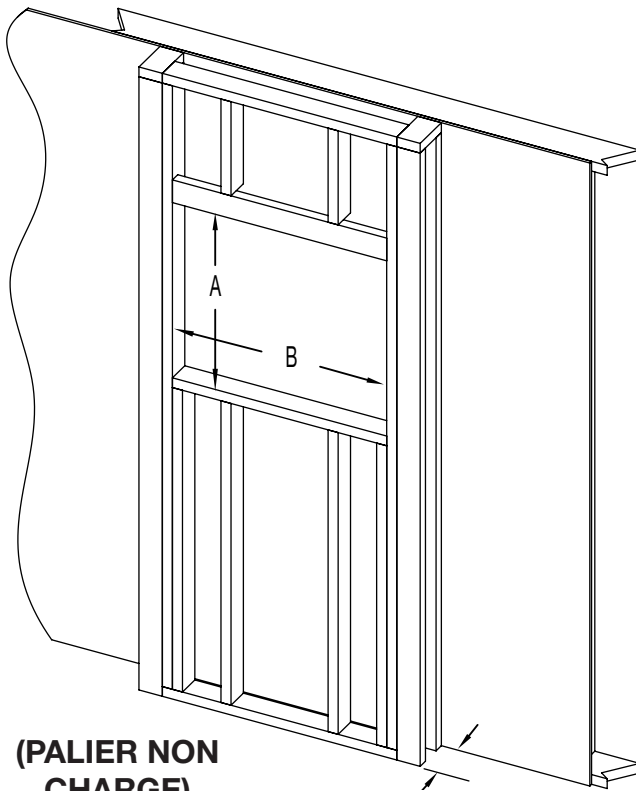


2.4 installation encastré

2.4.1 ossature

Les mesures sont prises du corps:	
Côtés, Arrière, Dessus	0"

MATÉRIAU DE FINITION



(PALIER NON CHARGE)

4 1/2"
[89mm]
minimum pour les
modèles CHS-1

6 1/16"
[152mm]
minimum pour les
modèles CHD-1

N° de Modèle	A	B
NEFL42CHS-1	16 1/8" (410mm)	42 9/16" (1081mm)
NEFL50CHS-1		50 13/16" (1291mm)
NEFL60CHS-1		60 11/16" (1541mm)
NEFL74CHS-1		74 13/16" (1900mm)

N° de Modèle	A	B
NEFL42CHD-1	16 1/8" (410mm)	42 9/16" (1081mm)
NEFL50CHD-1		50 13/16" (1291mm)
NEFL60CHD-1		60 11/16" (1541mm)
NEFL74CHD-1		74 13/16" (1900mm)
NEFL100CHD-1		100 13/16" (2561mm)

installation

FR

2.4.2 instructions d'installation encastré

En raison des nombreux matériaux utilisés sur différents murs, il est fortement recommandé de consulter votre constructeur local avant d'installer cet appareil sur le mur.

Choisissez un endroit qui n'est pas sujet à l'humidité et se trouve à au moins 36" (91,4cm) des matériaux combustibles tels que les rideaux, les meubles, la literie, le papier, etc.

1. Mesurez l'appareil et créez une alimentation rugueuse avec l'électricité. La boîte de jonction électrique se trouve sur le côté gauche, à l'arrière de l'appareil.
2. Retirez les supports de montage de l'arrière de l'appareil.
3. Retirez le verre avant (voir la section « installation et enlèvement du verre avant »).
4. Retirez le support du panneau en plastique en retirant les vis (**Fig. 2-5 & 2-6**).

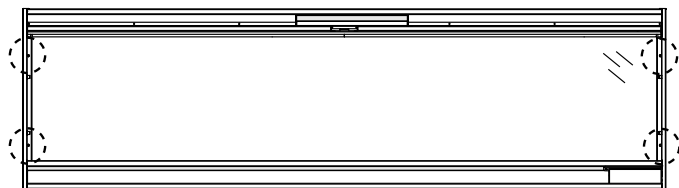


Fig. 2-5

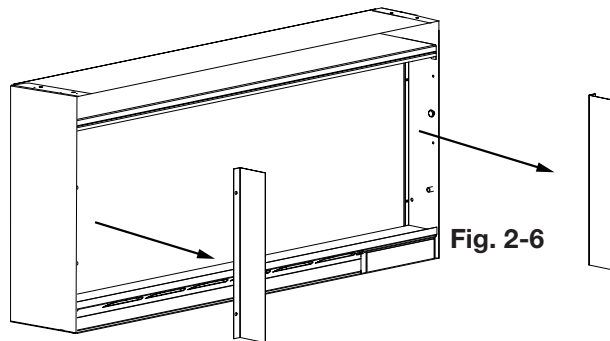


Fig. 2-6

5. Si les couvercles latéraux sont installés avant de l'installation encastrée, retirez les couvercles latéraux en retirant les vis (**Fig. 2-7 & 2-8**).

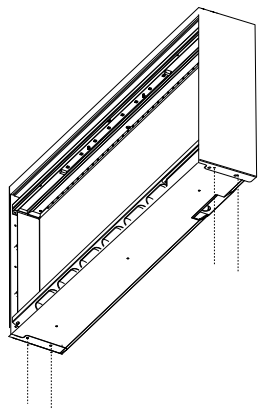


Fig. 2-7

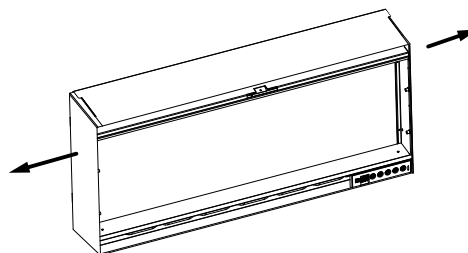


Fig. 2-8

6. Installez les garnitures (voir la section « installation de garniture »).
7. Tenez l'appareil en place pour vous assurez qu'il s'insère dans le cadre (voir la section « ossature »).
8. Retirez le cordon d'alimentation et complétez le branchement par câble (voir la section « information électrique »).

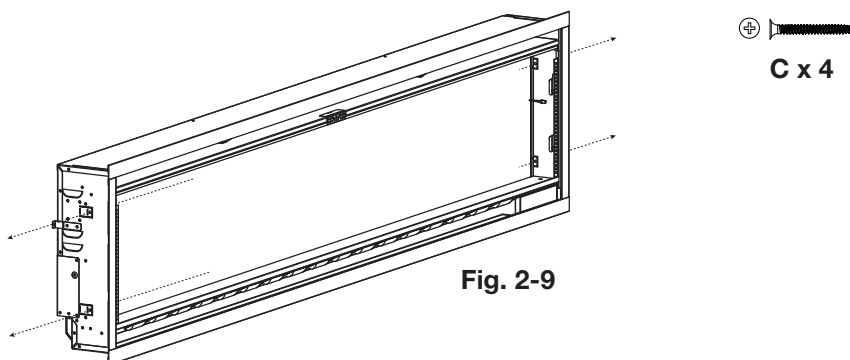


Fig. 2-9

⊕
C x 4

9. Utilisez 4 vis (fournies) afin de fixer l'appareil au mur (**Fig. 2-9**). Ne pas trop serrez les vis.
10. Réinstallez le support du panneau en plastique.
11. Placez les cristaux ou les chips de verre topaze et les bûches de bois flotté optionnel (modèles CHD-1 seulement) le long du plateau à média (voir la section « installation de braise en cristal » et « installation des chips de verre topaze et bûches de bois flotté optionnel »).
12. Installez le verre avant (voir la section « installation et enlèvement du verre avant »).

note:

Deux jeux de trous sont prévus pour évidement dans le mur. La structure du mur peut limiter la distance à laquelle l'appareil peut être encastré. Utilisez l'ensemble approprié de trous lors de l'encastrement sur le cadre. Appliquez les cales (non fourni) entre l'appareil et le cadre.

note:

Il est recommandé de finir les parois de l'enceinte de l'appareil (c.à.d. les cloisons sèches) afin d'éviter que des isolants exposés ou un pare-vapeur n'entre en contact avec l'appareil. Cela garantit l'entretien des combustibles.

2.4.3 installation de la garniture (optionnelle)

1. Installez les garnitures gauche et droit, et fixez-les avec vis (fournies) (**Fig. 2-10**).
2. Installez les garnitures supérieure et inférieure, et fixez-les avec vis (fournies). (**Fig. 2-11**).



C x 12

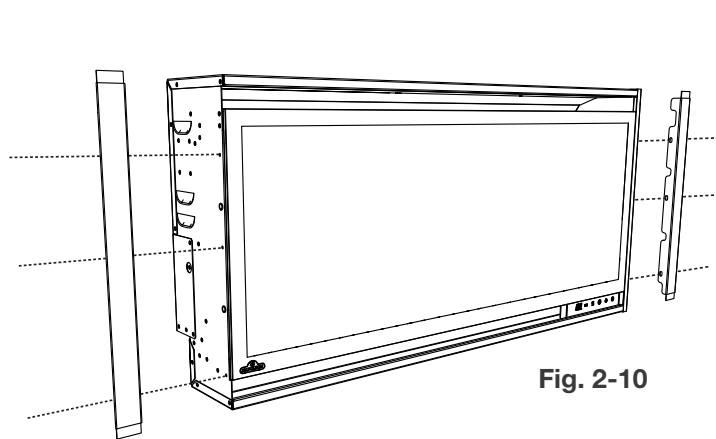


Fig. 2-10

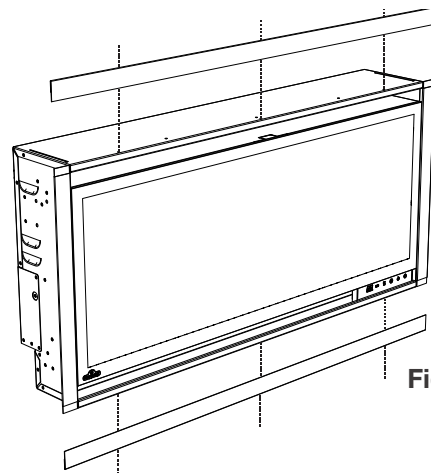


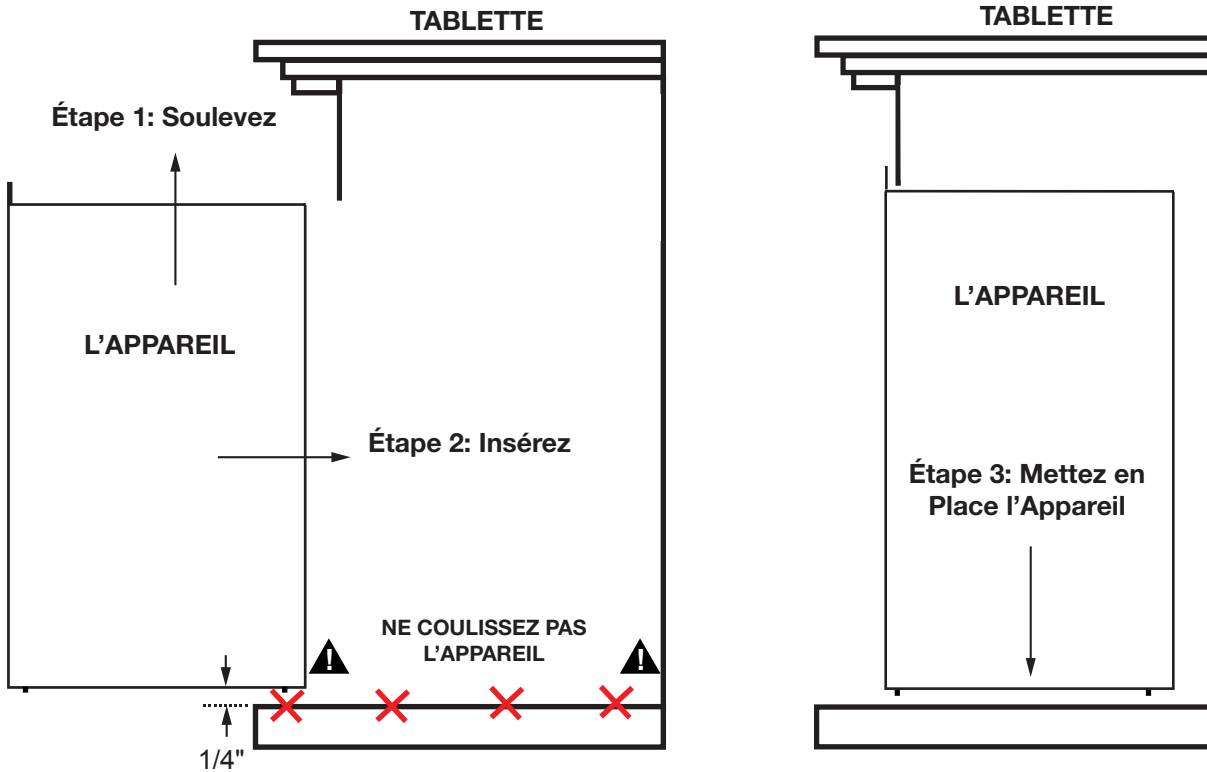
Fig. 2-11

installation

FR

2.5 installation de l'appareil dans une tablette

1. Retirez le verre avant (voir la section « installation et enlèvement du verre avant »).
2. Installez les supports supérieurs et inférieurs (non fournis).
3. Insérez l'appareil dans la tablette et fixez-le avec les supports. Pour obtenir les instructions d'installation appropriées, consultez votre revendeur agréé.
4. Placez les cristaux ou les chips de verre topaze et les bûches de bois flotté optionnelle (modèles CHD-1 seulement) le long du plateau à média (voir la section « installation de braise en cristal » et « installation des chips de verre topaze et bûches de bois flotté optionnel »).
5. Réinstallez le verre avant (voir la section « installation et enlèvement du verre avant »).

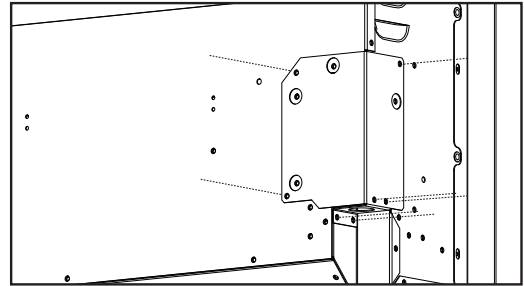


AVERTISSEMENT

- Coupez l'alimentation électrique à l'appareil et laissez-le refroidir avant d'effectuer un entretien. Seulement un technicien de service qualifié peut effectuer l'entretien ou la réparation de cet appareil électrique.

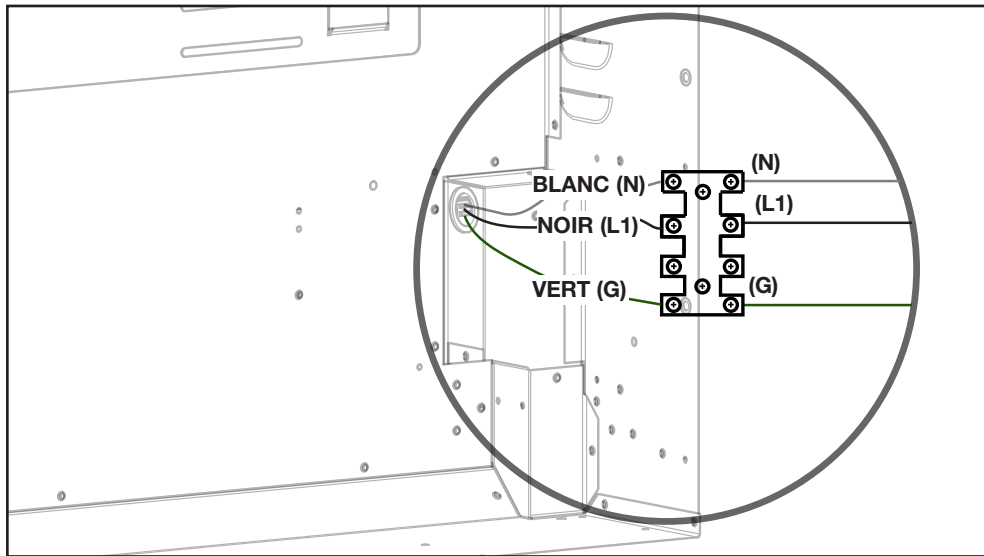
S'il est nécessaire de câbler cet appareil, un électricien qualifié doit retirer la connexion du cordon et brancher l'appareil directement au câblage du ménage. Le branchement du fil et de l'alimentation électrique doit être évalué à 120V minimum 15 ampères.

Cet appareil doit être connecté électriquement et mis à la terre conformément aux codes locaux, s'il est câblé. En l'absence de codes locaux, utilisez la dernière édition de Code de l'Électricité Canadien CSA C22.1 au Canada ou le Code National de l'Électricité ANSI/NFPA 70 aux États-Unis.



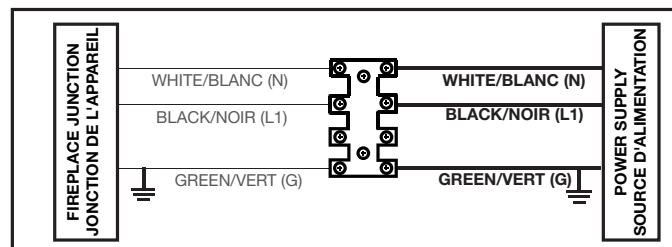
Avant de câbler l'appareil, retirez le couvercle de commande de la boîte de jonction en retirant les vis comme indiqué.

3.1 branchement par câble 120V (NEFL42/50/60/74CHS-1 seulement)



1. Retirez les vis de fixation de la plaque de recouvrement de la boîte de jonction, située sur le côté gauche, à l'arrière de l'appareil. Jetez la plaque de recouvrement de la boîte de jonction et mettez de côté les vis.
2. Desserrez les vis de fixation dans le bloc terminal afin de retirer le cordon d'alimentation.
3. Installez le soulagement de traction dans la plaque de recouvrement de la boîte de jonction (fourni), et faites passer les fils d'alimentation à travers le trou de 7/8" (22mm). Utilisez minimum 14AWG/2.
4. Insérez le fil Vert ou cuivre nu au terminal désigné G. Serrez la vis.
5. Insérez le fil Blanc au terminal désigné N. Serrez la vis.
6. Insérez le fil Noir au terminal désigné L1. Serrez la vis.
7. Assurez-vous que toutes les connexions sont serrées correctement.
8. Installez encore la plaque de recouvrement de la boîte de jonction en utilisant les vis retirées en étape 1.

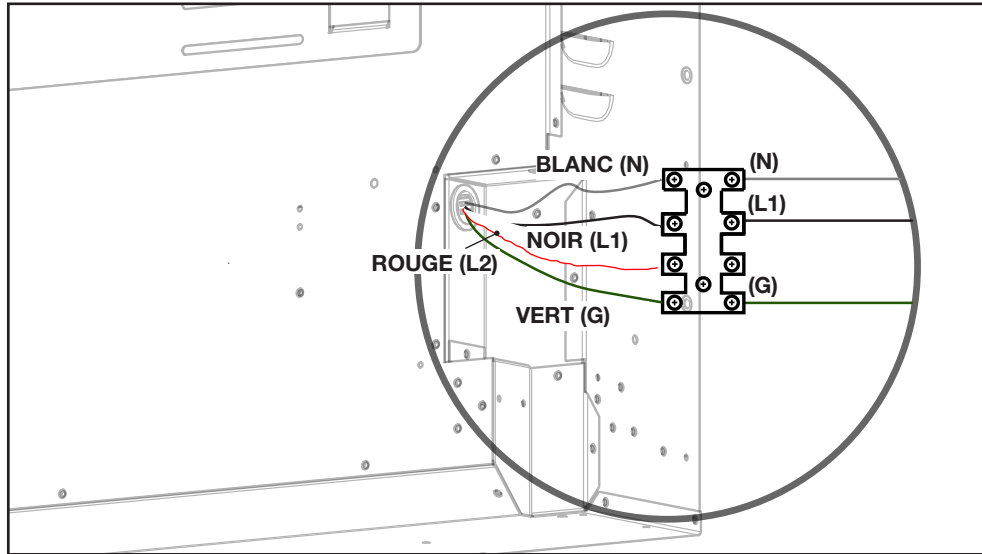
120V



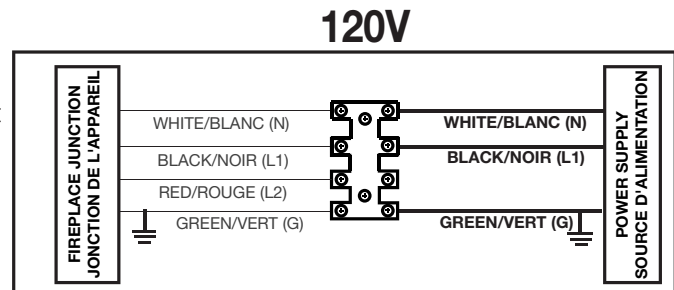
information électrique

FR

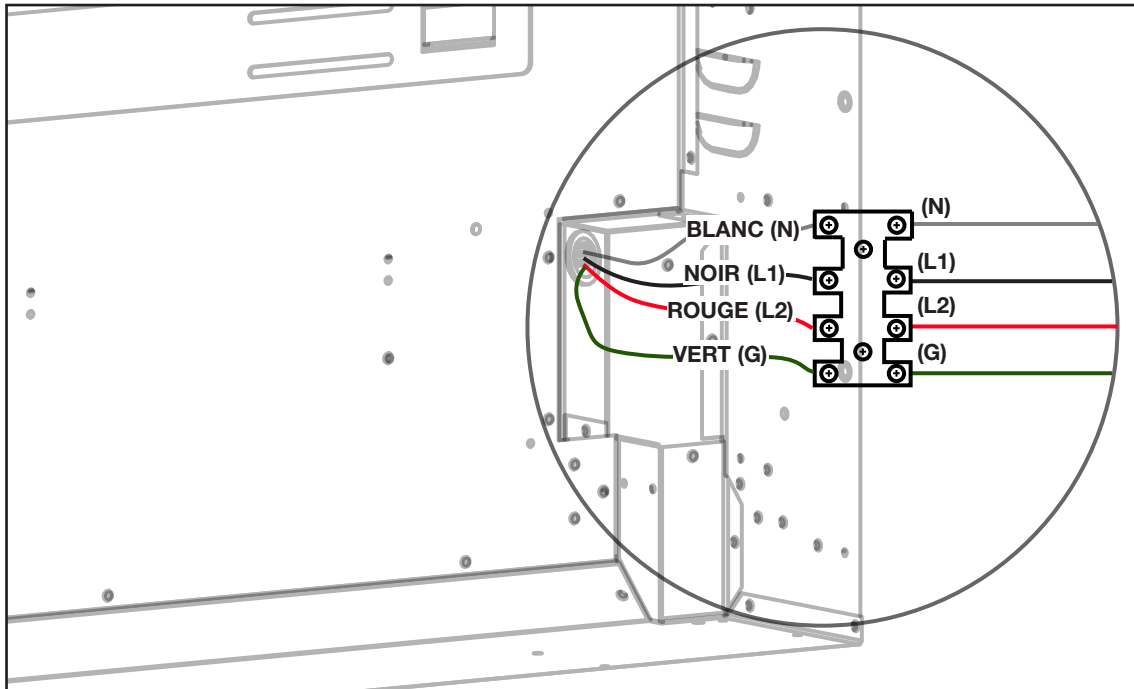
3.2 branchement par câble 120V (NEFL42/50/60/74/100CHD-1 seulement)



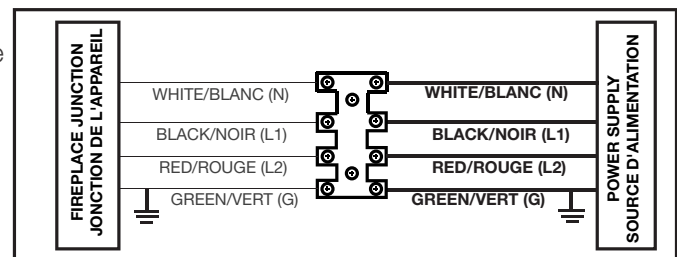
1. Retirez les vis de fixation de la plaque de recouvrement de la boîte de jonction, située sur le côté gauche, à l'arrière de l'appareil. Jetez la plaque de recouvrement de la boîte de jonction et mettez de côté les vis.
2. Desserrez les vis de fixation dans le bloc terminal afin de retirer le cordon d'alimentation.
3. Installez le soulagement de traction dans la plaque de recouvrement de la boîte de jonction (fourni), et faites passer les fils d'alimentation à travers le trou de 7/8" (22mm). Utilisez minimum 14AWG/2.
4. Insérez le fil Vert ou cuivre nu au terminal désigné G. Serrez la vis.
5. Insérez le fil Blanc au terminal désigné N. Serrez la vis.
6. Insérez le fil Noir au terminal désigné L1. Serrez la vis.
7. Assurez-vous que toutes les connexions sont serrées correctement.
8. Installez encore la plaque de recouvrement de la boîte de jonction en utilisant les vis retirées en étape 1.



3.3 branchement par câble 240V (NEFL42/50/60/74/100CHD-1 seulement)



240V



1. Retirez les vis de fixation de la plaque de recouvrement de la boîte de jonction, située sur le côté gauche, à l'arrière de l'appareil. Jetez la plaque de recouvrement de la boîte de jonction et mettez de côté les vis.
2. Desserrez les vis de fixation dans le bloc terminal afin de retirer le cordon d'alimentation.
3. Installez le soulagement de traction dans la plaque de recouvrement de la boîte de jonction (fourni), et faites passer les fils d'alimentation à travers le trou de 7/8" (22mm). Utilisez minimum 14AWG/3.
4. Insérez le fil Vert ou cuivre nu au terminal désigné G. Serrez la vis.
5. Insérez le fil Blanc au terminal désigné N. Serrez la vis.
6. Insérez le fil Noir au terminal désigné L1. Serrez la vis.
7. Insérez le fil Rouge au terminal désigné L2. Serrez la vis.
8. Assurez-vous que toutes les connexions sont serrées correctement.
9. Installez encore la plaque de recouvrement de la boîte de jonction en utilisant les vis retirées en étape 1.

4.0 finitions

FR

AVERTISSEMENT

- Le service d'alimentation doit être complété avant de finir d'éviter la reconstruction.
- Les événements de chaleur et les ouvertures d'air ne peuvent être couverts en aucune circonstance.

4.1 installation de braise en cristal

Le verre avant doit être retiré et l'appareil doit être sécurisé à sa place finale avant que les braises de cristal soient installées (voir la section « installation et enlèvement du verre avant »).

1. Enlevez les 2 vis du panneau plastique du lit de braise avant d'appliquer les braises en cristaux et/ou les bûches afin de maintenir le panneau du lit de braise plat (**Fig. 4-1**).
2. Placez soigneusement les braises en cristal dans le plateau à média inférieur (**Fig. 4-2**).
3. Appliquez une couche uniforme d'une côté à l'autre.
4. Placez au hasard les grandes braises en cristal au dessus des petites braises en cristal (pour NEFL42/50/60/74/100CHD-1 seulement).

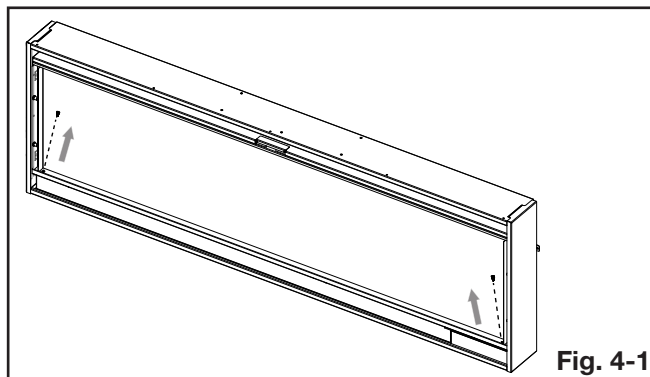


Fig. 4-1



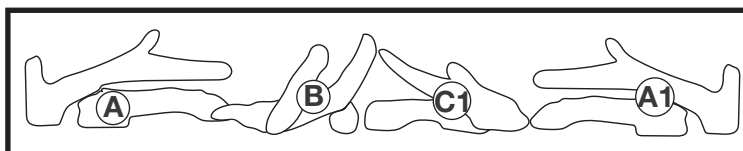
Fig. 4-2

4.2 installation des chips de verre topaz et bûches de bois flotté optionnel (NEFL42/50/60/74/100CHD-1 seulement)

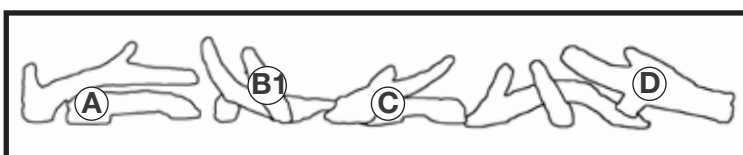
Le verre avant doit être retiré et l'appareil doit être sécurisé à sa place finale avant que les chips de verre topaz et les bûches de bois flotté (modèles CHD-1 seulement) soient installées (voir la section « installation et enlèvement du verre avant »).

1. Placez soigneusement les bûches de bois flotté sur le plateau à média.
2. Utilisez les chips de verre topaz pour remplir l'espace entre les bûches de bois flotté. Cela améliorera l'apparence générale de l'appareil.

Référence	N° de Bûche
A	W135-0728-SER
A1	W135-0728-SER Côté Arrière
B	W135-0729-SER
B1	W135-0729-SER Côté Arrière
C	W135-0730-SER
C1	W135-0730-SER Côté Arrière
D	W135-0731-SER



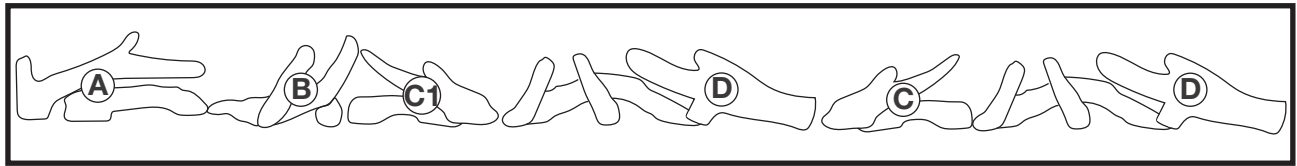
Emplacement Recommandé des Bûches en Bois Flotté pour NEFL42CHD-1



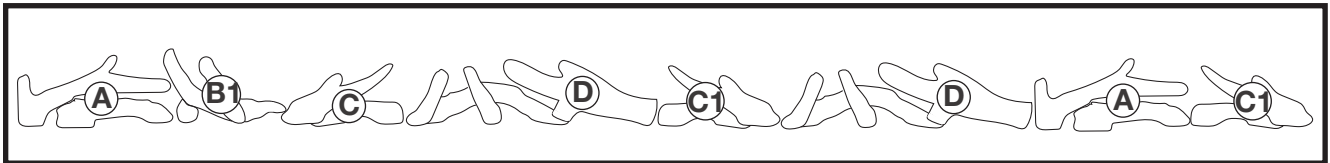
Emplacement Recommandé des Bûches en Bois Flotté pour NEFL50CHD-1



Emplacement Recommandé des Bûches en Bois Flotté pour NEFL60CHD-1



Emplacement Recommandé des Bûches en Bois Flotté pour NEFL74CHD-1



Emplacement Recommandé des Bûches en Bois Flotté pour NEFL100CHD-1

4.3 installation et enlèvement du verre avant

⚠ AVERTISSEMENT

- Avant d'installer ou d'enlever le verre avant, débranchez l'appareil et attendez que l'appareil soit froid au toucher. Le verre peut être lourd et fragile. Manipulez avec soin.

1. Installez le verre avant en alignant les goujons sur l'appareil. Déplacez le verre vers l'intérieur puis vers le bas avec les supports (Fig. 4-2).
2. Fixez la section centrale supérieure du verre avant à l'appareil en utilisant une vis (fournie) (Fig. 4-3).
3. Couvrez la vis avec la plaque de recouvrement de vis centrale (fournie) (Fig. 4-4).
4. Inversez ces étapes afin de retirer le verre avant.

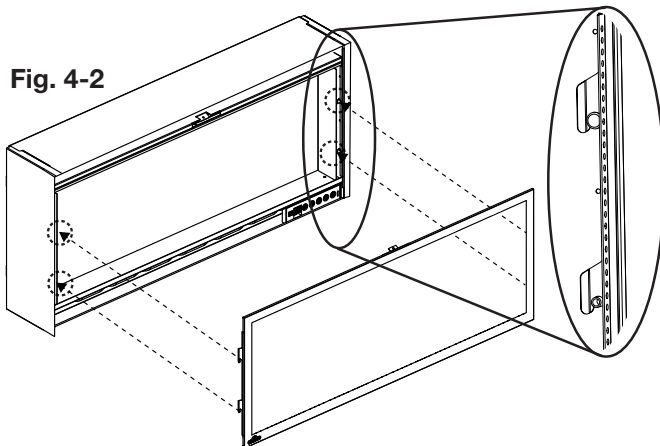


Fig. 4-2

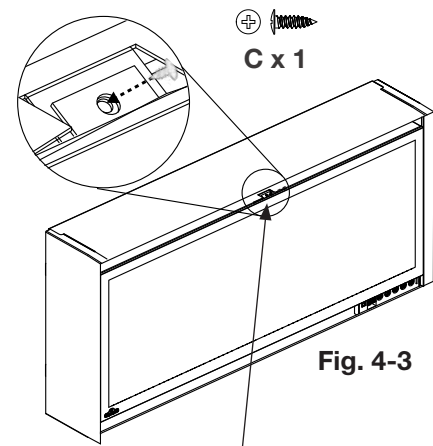


Fig. 4-3

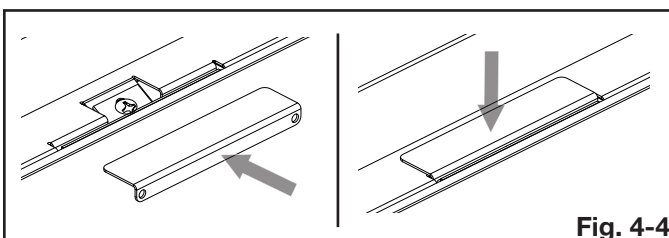


Fig. 4-4

⚠ AVERTISSEMENT

C'est essentiel que la vis de fixation est installée pour assurer que le verre avant n'est pas accidentellement déplacé causant des dommages et/ou des blessures corporelles.

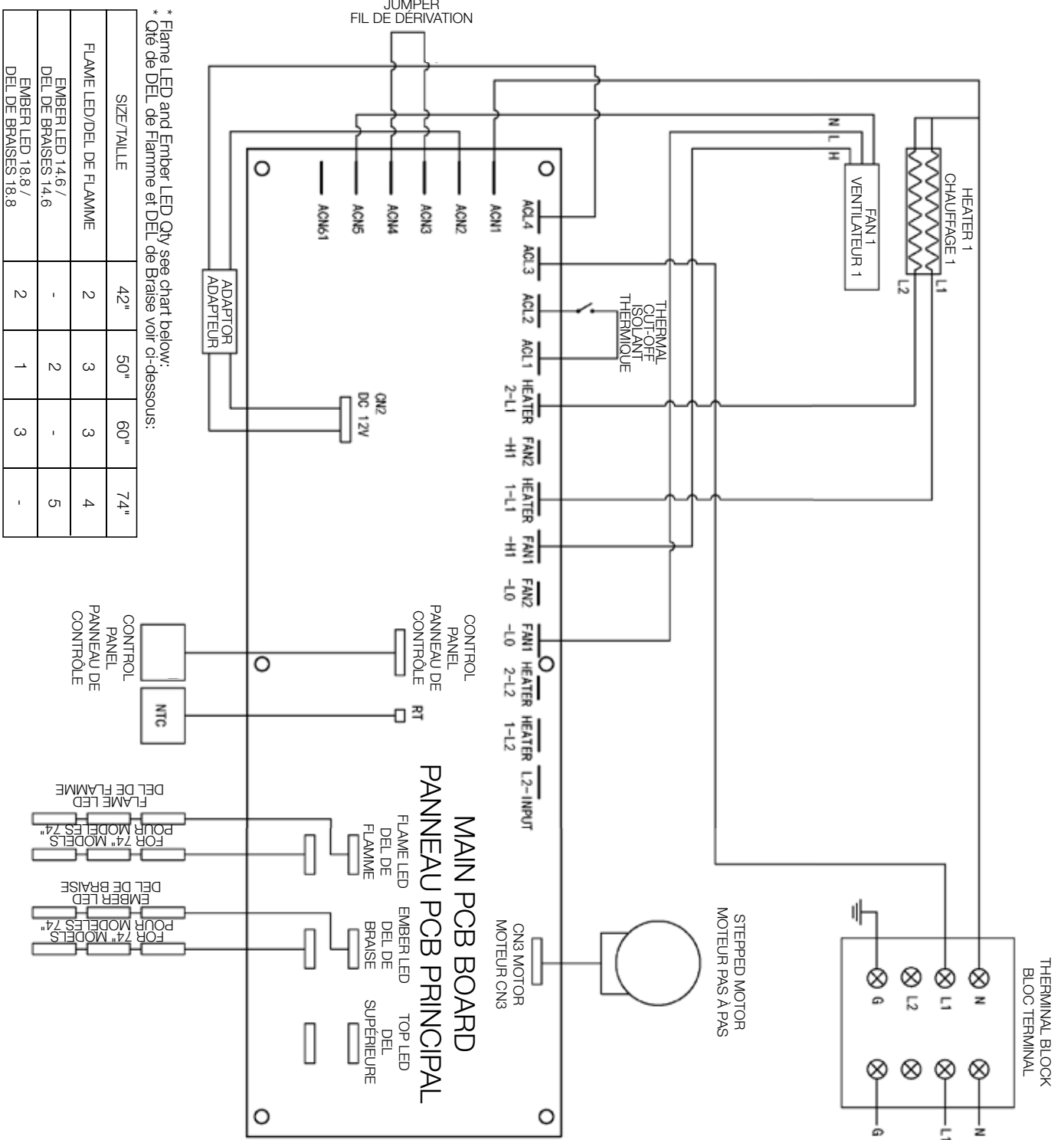
5.0 schéma de câblage

FR

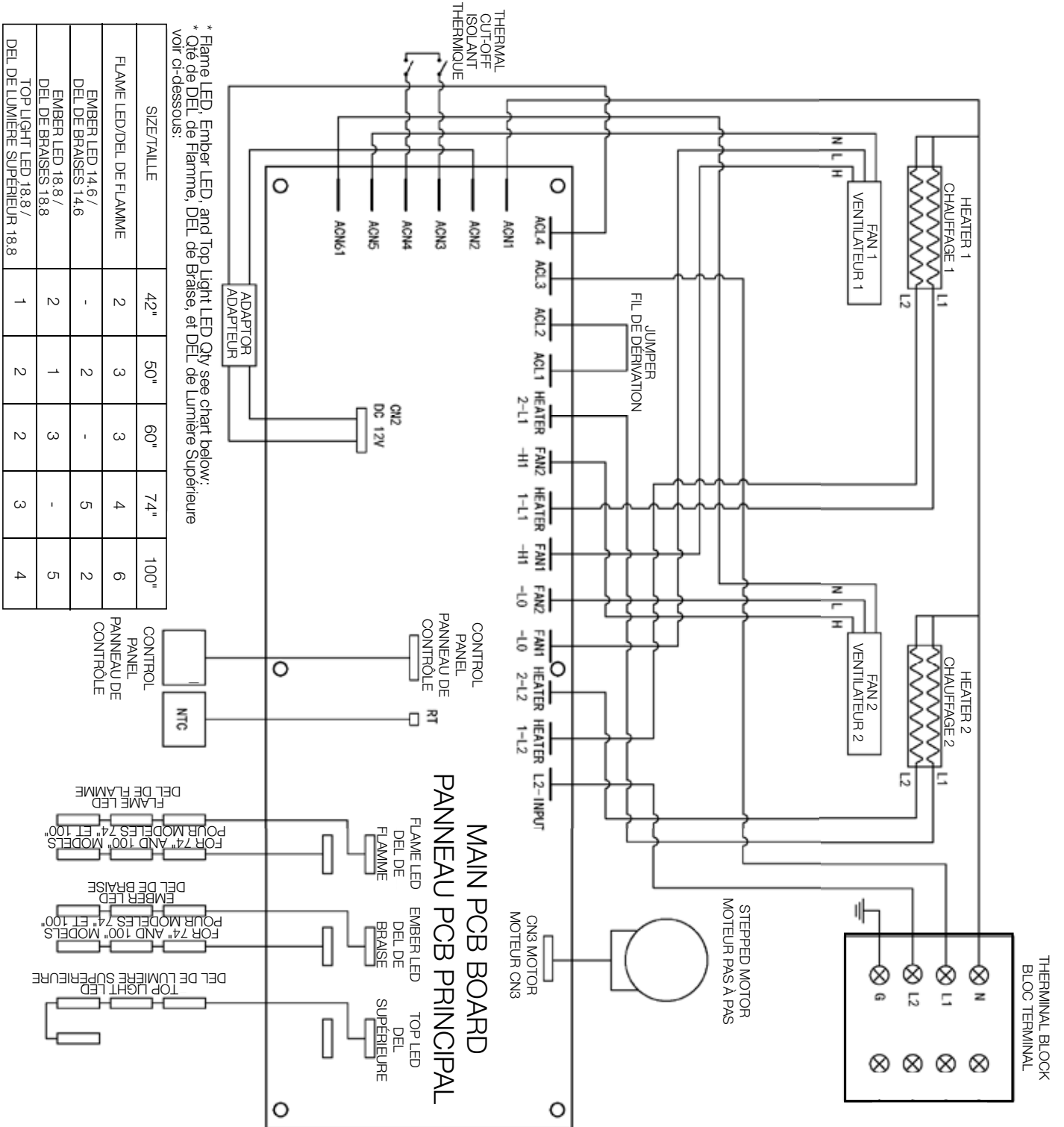
⚠ AVERTISSEMENT

- Éteignez complètement l'appareil et laissez refroidir avant de procéder à l'entretien. Seul un technicien qualifié doit entretenir et réparer cet appareil électrique.

5.1 schéma de câblage NEFL42/50/60/74CHS-1



5.2 schéma de câblage NEFL42/50/60/74/100CHD-1



* Flame LED, Ember LED, and Top Light LED Qty see chart below.
 * Qty de DEL de Flamme, DEL de Braises, et DEL de Lumière Supérieure voir ci-dessous.

SIZE/TAILLE	42"	50"	60"	74"	100"
FLAME LED/DEL DE FLAMME	2	3	3	4	6
EMBER LED 14,6 / DEL DE BRAISES 14,6	-	2	-	5	2
EMBER LED 18,8 / DEL DE BRAISES 18,8	2	1	3	-	5
TOP LIGHT LED 18,8 / DEL DE LUMIÈRE SUPÉRIEURE 18,8	1	2	2	3	4

6.0 fonctionnement

FR

Une fois que l'appareil a été branché sur une prise électrique mise à la terre, il est prêt à fonctionner.









attention:

Assurez-vous que les disjoncteurs de la maison de l'alimentation sont allumés. En cas de panne de courant, l'appareil perd sa fonction mémoire et se réinitialise en mode d'usine lorsque l'alimentation revient.

6.1 fonctionnement du panneau de contrôle

Le panneau de contrôle se trouve en bas à droite de l'appareil.

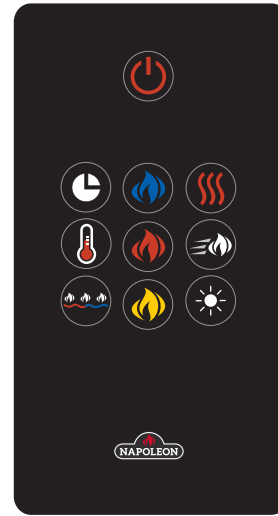


Alimentation		Allume / éteint l'appareil.
Flamme Orange		Contrôle la luminosité de la flamme. Réglages: F0 - Flamme éteint
Flamme Bleu		F1 - Flamme la plus faible F2 - Flamme faible F3 - Flamme brillante F4 - Flamme la plus brillante
Chauffage		Allume / éteint le chauffage et ventilateur. Réglage: H0 - Chauffage et ventilateur éteint BL - Ventilateur allume H1 - Chaleur faible H2 - Chaleur fort avec ventilateur coup de pouce
Lumière de Lit de Braise		Contrôle les réglages de la lumière du lit de braise. Réglages: L0 - Lumière de lit de braise éteint L1 - Rouge L2 - Bleu L3 - Vert L4 - Blanche L5 - Jaune L6 - Pourpre L7 - Cycle automatiquement de rouge, bleu, vert, blanche, jaune, et pourpre. (NOTE: Il faudra 3 secondes pour passer d'une couleur à l'autre.) L8 - Verrouiller à la couleur souhaitée
°F / °C	 Tenez 5 secondes	Pour changer la température de Celsius ou Fahrenheit, appuyez et maintenez le bouton de la flamme jaune pendant 5 secondes.
Verrouillage de Chauffage	 Tenez 5 secondes	Le bouton de chauffage peut être verrouillé ou déverrouillé en maintenant le bouton de chauffage pendant 5 secondes.
Contrôle de Température	 Tenez 5 secondes	Appuyez et maintenez le bouton de flamme bleu pendant 5 secondes. Cela changera le bouton de flamme bleu en contrôle de température ou vice-versa. Il y a 11 réglages de température: 18°C [64°F], 19°C [66°F], 20°C [68°F], 21°C [70°F], 22°C [72°F], 23°C [74°F], 24°C [76°F], 25°C [78°F], 26°C [80°F], 27°C [82°F] et OFF.

6.2 fonctionnement de la télécommande



Télécommande pour NEFL42/50/60/74/100CHD-1



Télécommande pour NEFL42/50/60/74CHS-1

Alimentation		Allume / éteint l'appareil.
Flamme Bleu		Contrôle la luminosité de la flamme.
Flamme Orange		Réglages: F0 - Flamme éteint F1 - Flamme la plus faible F2 - Flamme faible F3 - Flamme brillante F4 - Flamme la plus brillante
Flamme Jaune		
Chauffage		Allume / éteint le chauffage et ventilateur. Réglages: H0 - Chauffage et ventilateur éteint BL - Ventilateur allume H1 - Chaleur faible H2 - Chaleur fort avec ventilateur coup de pouce
Vitesse de Flamme		Contrôle la vitesse de la flamme. Il y a 5 réglages de la vitesse de flamme: 01 (le plus lente) 02, 03, 04, et 05 (la plus rapide).
Lumière Supérieure <small>NEFL42/50/60/ 74/100CHD-1 seulement</small>		Même que la couleur du lit de braise.

Couleur du Lit de Braise		Contrôle les réglages de la lumière du lit de braise. Réglages: L0 - Lumière de lit de braise éteint L1 - Rouge L2 - Bleu L3 - Vert L4 - Blanche L5 - Jaune L6 - Pourpre L7 - Cycle automatiquement de rouge, bleu, vert, blanche, jaune, et pourpre. (NOTE: Il faudra 3 secondes pour passer d'une couleur à l'autre.) L8 - Verrouiller à la couleur souhaitée-
Luminosité de Lit de Braise		Contrôle la luminosité du lit de braise. Réglages: B1 - La plus faible B2 - Faible B3 - Brillante B4 - La plus brillante
Minuterie		Il y a 10 réglages de la minuterie: 00, 0.5h, 1h, 2h, 3h, 4h, 5h, 6h, 7h, 8h.
Contrôle de Température		Il y a 11 réglages de température: 18°C [64°F], 19°C [66°F], 20°C [68°F], 21°C [70°F], 22°C [72°F], 23°C [74°F], 24°C [76°F], 25°C [78°F], 26°C [80°F], 27°C [82°F] et OFF.

7.0 entretien

FR

7.1 nettoyage

AVERTISSEMENT

- Toujours désactivez le chauffage et débranchez le cordon d'alimentation de nettoyage, d'entretien, ou de délocalisation. Le non-respect de cette précaution peut resulter en choc électrique, incendie, ou dommages corporels.
- Ne jamais immergez dans l'eau ou vaporisez avec de l'eau. Cela pourrait entraîner dans choc électrique, feu, ou dommages corporels.

Métal:

- Polissez à l'aide d'un chiffon doux et humidifié un peu avec un produit à base d'huile d'agrumes.
- N'utilisez pas du polissage de laiton ou des nettoyeurs ménagers parce-que ces produits endommageront la garniture en métal.

Verre:

- Utilisez un nettoyeur de bon qualité sur un chiffon ou serviette. Essuyez à fond avec un serviette en papier ou un chiffon non pelucheux.
- Ne jamais utilisez les nettoyeurs abrasifs, les sprays liquides, ou tout nettoyeur qui peut gratter la surface.

Événements:

- Utilisez un aspirateur ou chiffon d'enlever la poussière et la saleté du chauffage et les zones d'événements.

Plastique:

- Essuyez doucement avec un chiffon humidifié et une mélange doux de porte-savon et de l'eau chaud.
- Ne jamais utilisez les nettoyeurs abrasifs, les sprays liquides, ou tout nettoyeur qui peut gratter la surface.

7.2 installation des piles de la télécommande

! AVERTISSEMENT

- Cette télécommande nécessite des piles bouton qui sont dangereuses pour les jeunes enfants.
- **AVERTISSEMENT - GARDEZ LES PILES DE LA PORTÉE DES ENFANTS!**
- L'ingestion peut entraîner des blessures graves dans moins de 2 heures ou la mort, en raison des brûlures chimiques et de la perforation potentielle de l'œsophage.
- Si vous pensez que votre enfant a avalé ou inséré une pile bouton, recherchez immédiatement une assistance médicale urgente.
- Examinez les appareils et assurez-vous que le compartiment de la pile est bien fixé (c.à.d. que la vis ou autre attache mécanique est serrée). N'utilisez pas si le compartiment n'est pas sécurisé.
- Éliminez les piles bouton usagées immédiatement et en toute sécurité. Les piles plates peuvent encore être dangereuses.
- Renseignez-vous sur les risques associé aux piles bouton et la façon de garder leurs enfants en sécurité.



1. Pour remplacer la pile existante, retirez le support de pile.
2. Pour retirer le support de pile, tournez la télécommande vers l'arrière et appuyez sur le levier latéral gauche vers le centre tout en tirant le support de pile à l'aide de la fente fournie (**Fig. 7-1**).
3. Remplacez la pile existante, type CR 2025, avec une piles nouvelle et réinstallez le support de pile dans la télécommande en le glissant en position.
4. Le support de pile va « CLIC » dans la télécommande jusqu'à ce qu'il soit sécurisé.

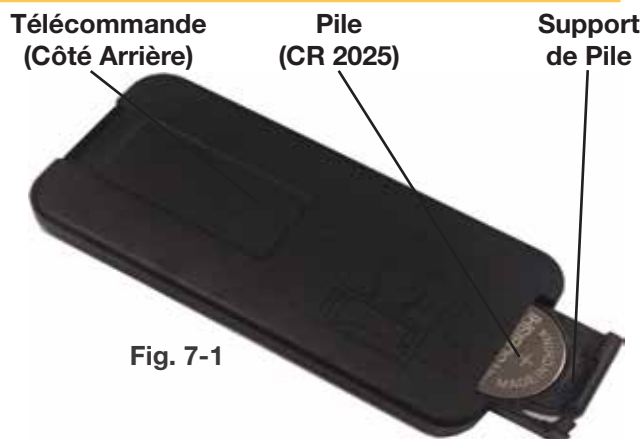


Fig. 7-1

note:

La télécommande doit rester à moins de 5 mètres (17 pieds) de l'appareil pour être efficace. Cette plage peut être réduite lorsque l'autonomie de la pile est épuisée. La télécommande doit être dirigée vers le centre inférieure de l'appareil pour qu'elle fonctionne le plus efficacement.



Les piles doivent être mises au rebut conformément aux lois et à la réglementation locales. Certaines piles peuvent être recyclées et acceptées dans votre centre de recyclage local. Renseignez-vous auprès de votre municipalité au sujet des directives de recyclage.

8.0 pièces de rechange

FR



AVERTISSEMENT

- Omettre de positionner les pièces conformément à ce manuel ou d'utiliser uniquement des pièces spécifiquement approuvées pour cet appareil peut causer des dommages matériels ou des blessures corporelles.

Contactez votre détaillant pour les questions concernant les prix et la disponibilité des pièces de remplacement. Normalement, toutes les pièces peuvent être commandées chez votre détaillant autorisé.

Pour un remplacement de pièce sous garantie, une photocopie de la facture originale sera requise afin de pouvoir honorer la demande.

Lorsque vous commandez des pièces, donnez toujours l'information suivante:

- Modèle et numéro de série de l'appareil
- Date d'installation de l'appareil
- Numéro de la pièce
- Description de la pièce
- Fini

Pièces, numéro des pièces et s'il soit disponible peut changer sans préavis.

Parties identifiées comme garnie seront livrés dans 2 à 5 jours pour la plupart des destinations de livraison.

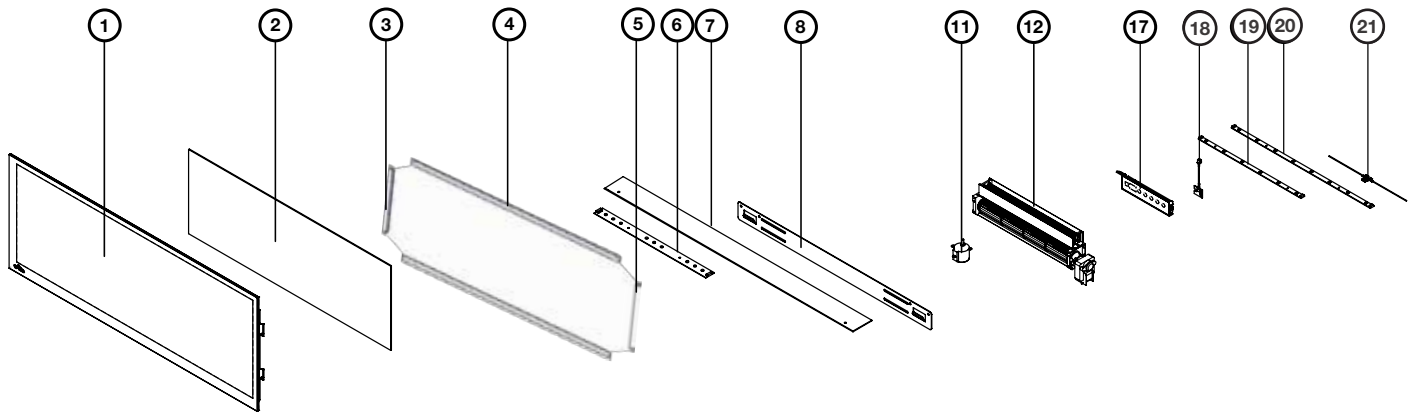
Pièces non identifiées que stockés seront livrés dans un délai de 2 à 4 semaines pour la plupart des cas.

Pièces identifiées comme « SO » sont commande spéciale et peuvent prendre jusqu'à 90 jours pour la livraison.

8.1 NEFL42/50/60/74CHS-1

note:

Des précautions doivent être prises lors de l'élimination et de l'élimination de tout verre brisé ou de composants endommagés. Assurez-vous d'aspirer tout verre brisé de l'intérieur de l'appareil avant l'opération.



Les articles peuvent différer de ceux illustrés.

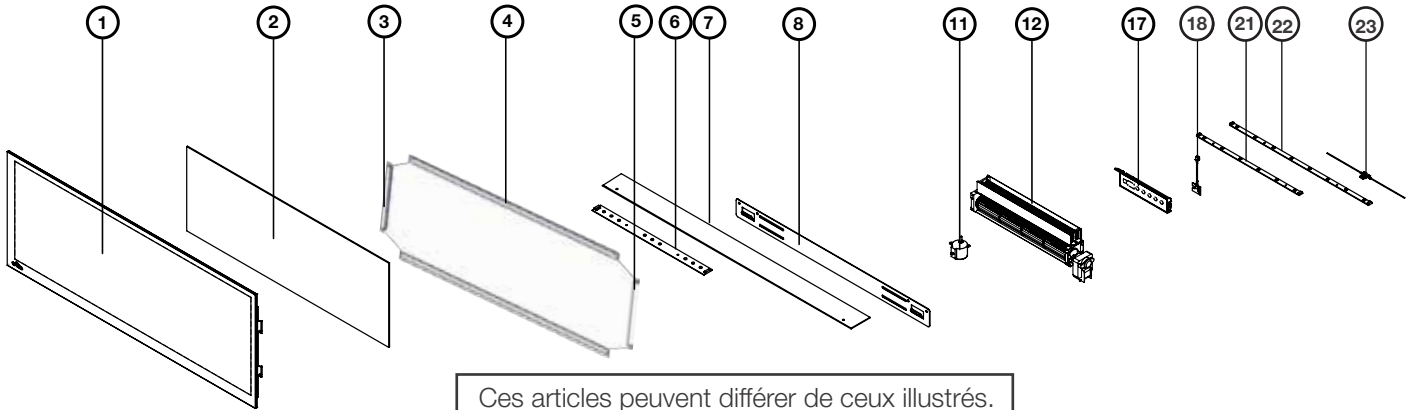
N° de Réf.	Description	N° de Pièce				En Stock
		NEFL42CHS-1	NEFL50CHS-1	NEFL60CHS-1	NEFL74CHS-1	
1	Verre Avant	W010-4188-SER	W010-4189-SER	W010-4190-SER	W010-4191-SER	Oui
2	Panneau en Plastique à Projection de Flamme	W565-0284-SER	W565-0285-SER	W565-0286-SER	W565-0287-SER	Oui
3	Garniture de Côté Droite	W715-1142-SER				Oui
4	Garniture Supérieure/Inférieure	W715-1151-SER	W715-1152-SER	W715-1153-SER	W715-1154-SER	Oui
5	Garniture de Côté Gauche	W715-1143-SER				Oui
6	Lumière de Flamme DEL	W405-0046-SER				Oui
7	Bande en Plastique de Lit de Braise	W565-0296-SER	W565-0297-SER	W565-0298-SER	W565-0299-SER	Oui
8	Support de Montage Mural	W080-1616-SER				Oui
9 *	Couvercle de Cordon	W200-0572-SER				Oui
10 *	Broche de Réflecteur	W010-4245-SER	W010-4246-SER	W010-4247-SER	W010-4248-SER	Oui
11	Moteur Rôtissoire (Ensemble)	W435-0117-SER				Oui
12	Assemblage de Chauffage et Ventilateur	W010-4194-SER				Oui
13 *	Télécommande	W660-0211-SER				Oui
14 *	Panneau de Circuit Principal	W190-0188-SER				Oui
15 *	Sac de Cristaux	W497-0031-SER				Oui
16 *	Ensemble de Quincaillerie	W370-0119-SER				Oui
17	Panneau de Contrôle (avec Récepteur à Distance)	W010-4891-SER				Oui
18	Thermostat	G190-0004-SER				Oui
19	Lit de Braise DEL 14"	N/A	W405-0047-SER	N/A	W405-0047-SER	Oui
20	Lit de Braise DEL 19"	W405-0048-SER			N/A	Oui
21	Coupe Thermique	W750-0426-SER				Oui

* Parties non illustrés.

pièces de rechange

FR

8.2 NEFL42/50/60/74/100CHD-1



Ces articles peuvent différer de ceux illustrés.

N° de Réf.	Description	N° de Pièce					En Stock
		NEFL42CHD-1	NEFL50CHD-1	NEFL60CHD-1	NEFL74CHD-1	NEFL100CHD-1	
1	Verre Avant	W010-4188-SER	W010-4189-SER	W010-4190-SER	W010-4191-SER	W010-4192-SER	Oui
2	Panneau en Plastique à Projection de Flamme	W565-0284-SER	W565-0285-SER	W565-0286-SER	W565-0287-SER	W565-0288-SER	Oui
3	Garniture de Côté Droite	W715-1142-SER					Oui
4	Garniture Supérieure/Inférieure	W715-1151-SER	W715-1152-SER	W715-1153-SER	W715-1154-SER	W715-1155-SER	Oui
5	Garniture de Côté Gauche	W715-1143-SER					Oui
6	Lumière de Flamme DEL	W405-0046-SER					Oui
7	Bande en Plastique de Lit de Braise	W565-0302-SER	W565-0303-SER	W565-0304-SER	W565-0305-SER	W565-0306-SER	Oui
8	Support de Montage Mural	W080-1616-SER					Oui
9 *	Couvercle de Cordon	W200-0572-SER					Oui
10 *	Broche de Réflecteur	W010-4245-SER	W010-4246-SER	W010-4247-SER	W010-4248-SER	W010-4249-SER	Oui
11	Moteur Rôtissoire (Ensemble)	W435-0117-SER					Oui
12	Assemblage de Chauffage et Ventilateur	W010-4194-SER					Oui
13 *	Télécommande	W660-0210-SER					Oui
14 *	Panneau de Circuit Principal	W190-0188-SER					Oui
15 *	Sac de Cristaux	W497-0031-SER W497-0051-SER	W497-0031-SER W497-0032-SER	W497-0031-SER W497-0045-SER	W497-0031-SER W497-0052-SER	W497-0031-SER W497-0051-SER	Oui
16 *	Ensemble de Quincaillerie	W370-0119-SER					Oui
17	Panneau de Contrôle (avec Récepteur à Distance)	W010-4891-SER					Oui
18	Thermostat	G190-0004-SER					Oui
19 *	Bûches en Bois Flotté Optionnelles	W135-0728-SER (X2) W135-0729-SER W135-0730-SER	W135-0728-SER W135-0729-SER W135-0730-SER W135-0731-SER	W135-0728-SER W135-0729-SER W135-0730-SER (X2) W135-0731-SER	W135-0728-SER W135-0729-SER W135-0730-SER (X2) W135-0731-SER (X2)	W135-0728-SER (X2) W135-0729-SER W135-0730-SER (X3) W135-0731-SER (X2)	Oui
20 *	Chips de Verre Topaze Optionnel	W300-0211					Oui
21	Lit de Braise DEL 14"	N/A	W405-0047-SER	N/A	W405-0047-SER	N/A	Oui
22	Lit de Braise DEL 19"	W405-0048-SER			N/A	W405-0048-SER	Oui
23	Coupe Thermique	W750-0426-SER					Oui

* Parties non illustrés.

AVERTISSEMENT

- Coupez l'alimentation électrique à l'appareil et laissez-le refroidir avant d'effectuer un entretien. Seulement un technicien de service qualifié peut effectuer l'entretien ou la réparation de cet appareil électrique.

symptôme	problème	solution
L'appareil ne s'allume pas lorsque l'interrupteur est mis à « on ».	L'appareil n'est pas branché dans une prise de courant.	Vérifiez la prise, et branchez dans l'appareil si nécessaire.
	Branchement par câble sont incorrectes.	Voir la section « branchement par câble ».
	L'appareil a surchauffé et le dispositif de sécurité a entraîné le déclenchement de l'interrupteur thermique.	Débranchez l'appareil et le disjoncteur, laissez-le refroidir pendant 15 minutes, puis branchez l'appareil ou allumez le disjoncteur.
	Issue avec le panneau PCB principal.	Inspectez la carte de circuit imprimé et remplacez-le si nécessaire.
L'appareil s'éteint et ne se rallume pas.	Le disjoncteur de la maison s'est déclenché.	Réinitialisez le disjoncteur.
	Le fusible de l'appareil a éteint.	Remplacez le fusible.
	L'appareil a surchauffé et le dispositif de sécurité a entraîné le déclenchement de l'interrupteur thermique.	Débranchez l'appareil et le disjoncteur, laissez-le refroidir pendant 15 minutes, puis branchez l'appareil ou allumez le disjoncteur.
L'appareil est revenue à les paramètres par défaut.	Panne de courant.	Reprogramme l'appareil au paramètres d'origine (pas applicable avec tous les appareils).
La télécommande ne fonctionne pas.	Les piles sont faibles.	Remplacez les piles de la télécommande.
	Dysfonctionnement du récepteur à distance.	Assurez-vous que le récepteur à distance n'est pas bloqué. Remplacez le panneau.
L'appareil n'émet aucune chaleur.	Réglage du chauffage n'est pas sélectionné.	Voir la section « fonctionnement ».
	Le chauffage a été verrouillé.	Voir la section « fonctionnement ».
	La température ambiante est plus élevée que le réglage de l'appareil (si réglée au température de la chambre).	Réinitialisez le réglage pour la température.
	L'appareil a surchauffé et le dispositif de sécurité a entraîné le déclenchement de l'interrupteur thermique.	Débranchez l'alimentation ou éteignez le disjoncteur. Laissez l'appareil refroidir pendant 15 minutes.
	Branchement par câble sont incorrectes.	Voir la section « branchement par câble ».
	Problème avec le chauffage.	Inspectez la soufflerie and le chauffage, et les remplacez si nécessaire.
La chauffage s'éteint automatiquement.	La salle est trop chaude.	L'appareil est équipé d'un thermostat intégré et s'éteindra automatiquement lorsque la température programmée sera atteinte. Il s'allumera automatiquement lorsque la température de la pièce descendra en dessous de la température programmée.

guide de dépannage

FR

symptôme	problème	solution
La luminosité du jeu de flammes est faible ou inexistante.	Éclat de flamme n'est pas sélectionné.	Voir la section « fonctionnement ».
	Problème avec les flamme DELs.	Vérifiez les DELs et remplacez-les si nécessaire.
	Problème avec le panneau PCB principal.	Vérifiez le panneau PCB principal et remplacez-le si nécessaire.
La flamme ne bouge pas.	Le moteur est calé / ne fonctionne pas	Cycle de marche / arrêt. Si le problème persiste, consultez votre détaillant.
Le lit de braises s'aillumine pas ou ne diminue pas en luminosité.	Luminosité n'est pas sélectionné.	Voir la section « fonctionnement ».
	Problème avec les DEL de braises.	Vérifiez les DEL de braises et remplacez-les si nécessaire.
	Problème avec le panneau PCB principal.	Vérifiez la panneau PCB principal et remplacez-le si nécessaire.
DEL clignote « OH ».	L'appareil a surchauffé et le dispositif de sécurité a entraîné le déclenchement de l'interrupteur thermique.	Débranchez l'appareil et le disjoncteur, laissez-le refroidir pendant 15 minutes, puis branchez l'appareil ou allumez le disjoncteur. Si le problème persiste, consultez votre détaillant.

Les appareils électriques **Napoléon** sont fabriqués conformément aux normes strictes du Système de Gestion de la Qualité mondialement reconnu ISO 9001 : 2015.

Les produits **Napoléon** sont conçus avec des composants et des matériaux de qualité supérieure, assemblés par des artisans qualifiés qui sont fiers de leur travail. Une fois assemblé, chaque appareil est soigneusement inspecté par un technicien, une agence de service, ou un distributeur qualifié(e) ou autorisé(e) avant d'être emballé pour garantir que vous, le client, recevez le produit de qualité dont vous vous attendez de **Napoléon**.

Garantie Prime Des Appareils Électriques Napoléon

Les composants électriques et les pièces soumises à l'usure sont couverts et **Napoléon** fournira gratuitement les pièces de rechange durant les première 2 années de la garantie prime. Ceci couvre: le ventilateur/l'appareil de chauffage, les moteurs, les interrupteurs, les roulements à billes en nylon, les télécommandes et les lumières de DEL.

Les ampoules et fusibles **NE SONT PAS** couverts par le garantie.

Dans la première année seulement, les coûts de main-d'oeuvre relatifs aux réparations garanties sont couverts.

* La fabrication de chaque modèle varie. La garantie s'applique uniquement aux composants disponibles avec votre appareil spécifique.

Conditions et Limitations

Napoléon garantit ses produits contre les défauts de fabrication à l'acheteur d'origine seulement. L'enregistrement de la garantie n'est pas nécessaire. Fournissez simplement une preuve d'achat ainsi que le modèle et le numéro de série afin d'effectuer une réclamation de garantie. L'achat doit avoir été fait par l'entremise d'un détaillant **Napoléon** autorisé et sous réserve des conditions et limitations suivantes:

La couverture de la garantie débute à partir de la date d'installation originale.

Cette garantie du fabricant n'est pas transférable et ne peut être prolongée par aucun de nos représentants.

L'installation doit être faite conformément aux instructions d'installation incluses avec le produit et à tous les codes d'incendie et de construction locaux et nationaux.

Cette garantie prime ne couvre pas les dommages causés par un mauvais usage, un manque d'entretien, un accident, des altérations, des abus, ou de la négligence, et l'installation de pièces d'autres fabricants annulera cette garantie.

Cette garantie prime ne couvre pas non plus les égratignures, les bossellements, la corrosion, ou la décoloration causée par une chaleur excessive, des produits d'entretien chimiques et abrasifs ou l'écaillage de pièces en porcelaine émaillée, le bris par manipulation des bûches PHAZER^{MD}.

Au cours de les première 2 années seulement, cette garantie s'étend à la réparation ou au remplacement des pièces garanties dont les matériaux ou la fabrication sont défectueux à la condition que le produit ait été utilisé conformément aux instructions de fonctionnement et dans des conditions normales.

Après la première année, **Napoléon** ne sera pas responsable de l'installation, de la main d'œuvre, ou autres coûts ou dépenses relatives à la réinstallation d'une pièce garantie, et de telles dépenses ne sont pas couvertes par cette garantie.

Nonobstant toutes les dispositions contenues dans cette garantie limitée, la responsabilité de **Napoléon** sous cette garantie est définie comme ci-dessus, et elle ne s'étendra à aucun dommage accidentel, consécutif, ou indirect.

Cette garantie définit l'obligation et la responsabilité de **Napoléon** en ce qui concerne l'appareil électrique **Napoléon**.

Toute autre garantie énoncée ou implicite en ce qui concerne ce produit, ses composants ou accessoires est exclue.

Napoléon n'endosse, ni n'autorise aucun tiers à assumer en son nom, toutes autres responsabilités concernant la vente de ce produit.

Tous dommages causés à l'appareil, aux garnitures en laiton ou autres composants par l'eau, les dommages causés par les intempéries, de longues périodes d'humidité, la condensation, des produits chimiques, ou produits d'entretien nuisibles ne seront pas la responsabilité de **Napoléon**.

Napoléon se réserve le droit de demander à son représentant d'inspecter tout produit ou pièce avant d'honorer toute réclamation.

Toutes les pièces remplacées en vertu de la politique de la Garantie Prime ne peuvent faire l'objet que d'une seule réclamation.

Toutes les pièces remplacées au titre de la garantie seront couvertes pour une période de 90 jours à partir de leur date d'installation.

Le fabricant peut exiger que les pièces défectueuses ou les produits soient retournés ou que des photos numériques soient fournies pour valider la réclamation. Les produits retournés doivent être expédiés port payé au fabricant pour une inspection en usine. Si un produit est déclaré défectueux, le fabricant le réparera ou le remplacera.

Avant d'expédier votre appareil ou les pièces défectueuses, votre détaillant doit obtenir un numéro d'autorisation. Toute marchandise expédiée à notre usine sans autorisation sera refusée et retournée à l'expéditeur.

Les coûts d'expédition ne sont pas couverts par cette garantie.

Des frais de service supplémentaires peuvent être appliqués si vous cherchez à obtenir des services au titre de la garantie auprès d'un détaillant.

Toutes les spécifications et les conceptions sont sujettes à modifications sans préavis en raison des améliorations constantes apportées aux produits. **Napoléon** est une marque de commerce déposée de Wolf Steel Ltée.

NAPOLÉON CÉLÈBRE PLUS DE 40 ANS D'EXISTENCE CONSCRÉS À LA CONCEPTION DE PRODUITS DE CONFORT



7200, Route Transcanadienne, Montréal, Québec H4T 1A3
24 Napoleon Road, Barrie, Ontario, Canada L4M 0G8
214 Bayview Drive, Barrie, Ontario, Canada L4N 4Y8
103 Miller Drive, Crittenden, Kentucky, USA 41030
De Riemsdijk 22, 4004 LC Tiel, Pays-Bas

Téléphone: 1-866-820-8686

napoleon.com