

INSTALLATION INSTRUCTIONS FOR HEATFLO KITS

[FOR USE WITH MODELS: Compass45TEN, CompassDLX45TEN, Compass55TEN, CompassDLX55TEN, DRL2000 45/55 and DRL3500 45/55]

KIT CONTENTS (see Figure 1)

- 1 ea. Register Assembly
- 1 ea. Register Trim
- 4 ea. 4-1/2" x 24" Flex Pipe (stretches up to 70" in length)
- 8 ea. Gear Clamp
- 2 ea. Register Support Bracket
- 16 ea. Self Tapping Screws
- 4 ea. Collar Mounting Plate
- 4 ea. Small Collar
- 4 ea. Large Collar
- 1 ea. Hood

TOOLS / SUPPLIES REQUIRED (not included)

- Electric Drill/Driver Gun
- Phillips Screwdriver Bits
- 5/16 Nut Driver
- 3/8 Nut Driver
- Wood Screws

HeatFlo™ Kit		
Cat. No.	Model Number	Kit Name
F4454	HTFLO-DV45	Kit, HeatFlo 45 DV Units
F4453	HTFLO-DV55	Kit, HeatFlo 55 DV Units

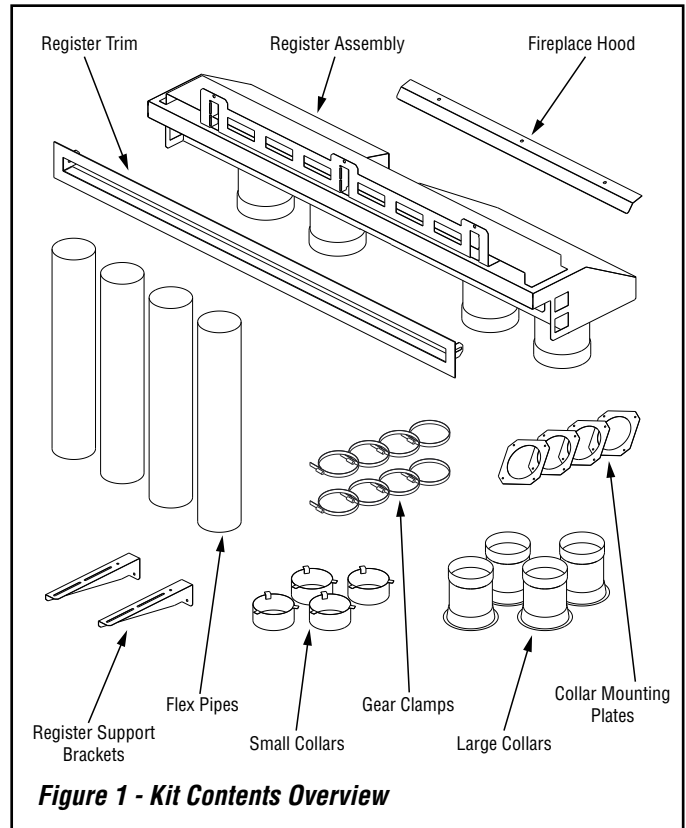


Figure 1 - Kit Contents Overview

GENERAL INFORMATION

The HeatFlo™ system is designed to redirect the convective heat of the fireplace from the front of the unit, above the glass, to a location higher on the wall. The use of this kit allows for TV installations closer to the fireplace or in recessed wall cavities above the fireplace (see **Tables 1 and 2, Page 3**).

When Installing this kit, reference the framing dimensions and follow the framing instructions shown on the fireplace installation Instructions. Follow all other installation requirements for the fireplace as detailed in the installation manual.

REFER TO INSTALLATION INSTRUCTIONS AND CARE AND OPERATIONS MANUAL (IICO) FOR FRAMING DETAILS BEFORE INSTALLING THIS KIT.

ALL WARNINGS AND PRECAUTIONS IN THE INSTALLATION AND OPERATION MANUAL PROVIDED WITH THE FIREPLACE APPLY TO THESE INSTRUCTIONS.

INSTALLER: Leave this manual with the fireplace.
CONSUMER: Retain this manual for future reference.

WARNING

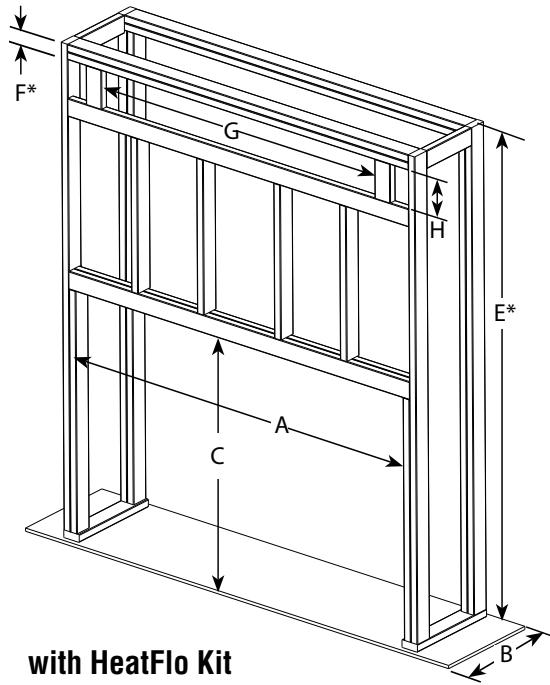
This kit must be installed by a qualified installer, service agency, or gas supplier at the time of the fireplace installation. These instructions must be used in conjunction with the installation and operation manual provided with the fireplace.

IMPORTANT NOTICE

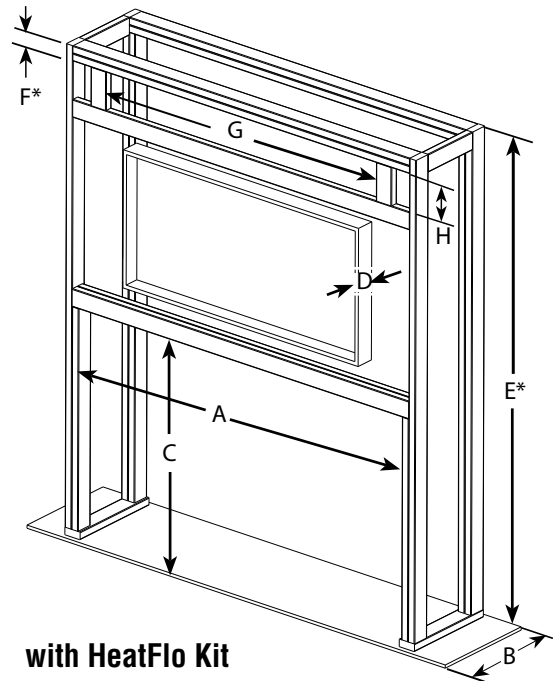
Most television manufacturers instruct the homeowner to not place the television above a heat source. Doing so may negatively affect the longevity of the television and may negate the warranty. If you do place a television above the fireplace, please be aware of the large amount of heat generated by the fireplace and consider placing the television above the fireplace at 12" minimum on a flush wall and at 18" for a recessed installation, to reduce the amount of heat that reaches the television. The homeowner must understand that IHP does not take responsibility for any negative impact to televisions placed near this fireplace.

⚠ WARNING

Ensure clearances to combustibles are maintained when building a mantel or shelves above the fireplace. Elevated temperatures on the wall or in the air above the fireplace can cause melting, discoloration or damage to decorations, a television (TV) or other electronic components.



**with HeatFlo Kit
for Flush Wall**



**with HeatFlo Kit
for Recessed Wall Pocket**

Framing Dimensions - Inches (millimeters)

	A	B	C	D*	E*	F*	G	H
45" Models	45-7/8 (1165)	18 (458)	29 (737)	3-1/2 (89)	81-1/2 (2070)	1-1/2 (38)	43-1/2 (1105)	5-1/8 (130)
55" Models	55-7/8 (1420)	18 (458)	29 (737)	3-1/2 (89)	81-1/2 (2070)	1-1/2 (38)	53-1/2 (1359)	5-1/8 (130)

D* Maximum allowable depth
 E* Minimum height from appliance base to ceiling
 F* Minimum distance from framed opening to ceiling

NOTE: Unit must be installed a minimum of 6" off floor if the optional facade is to be installed.

Figure 2 - Fireplace Framing Dimensions For HeatFlo Installations - Flush Wall & Recessed Wall Pocket

See **Tables 1 and 2** for TVs Installed above the fireplace:

WIRING NOTE: If running wiring into the enclosure, use thermal insulating wrap around the wiring. Secure the wiring to protect from contact with hot surfaces.

TVs should not be used in situations where the actual TV temperature exceeds the manufacturer's technical specification. Contact the TV manufacturer directly if you cannot locate this information or have questions regarding this information.

NOTE: Clearances to TV are provided only for guidance, please follow TV manufacturer's recommendation for installation.

Table 1 - Minimum Dimensions for Television (TV) Installed Above Fireplace (Flush Wall)

(A) TV Above fireplace Opening (Min.)	12" (305 mm)
(B) TV Below Heat Vent Opening (Min.)	3" (77 mm)
(C) Vent Opening Below Ceiling	4" (102 mm)

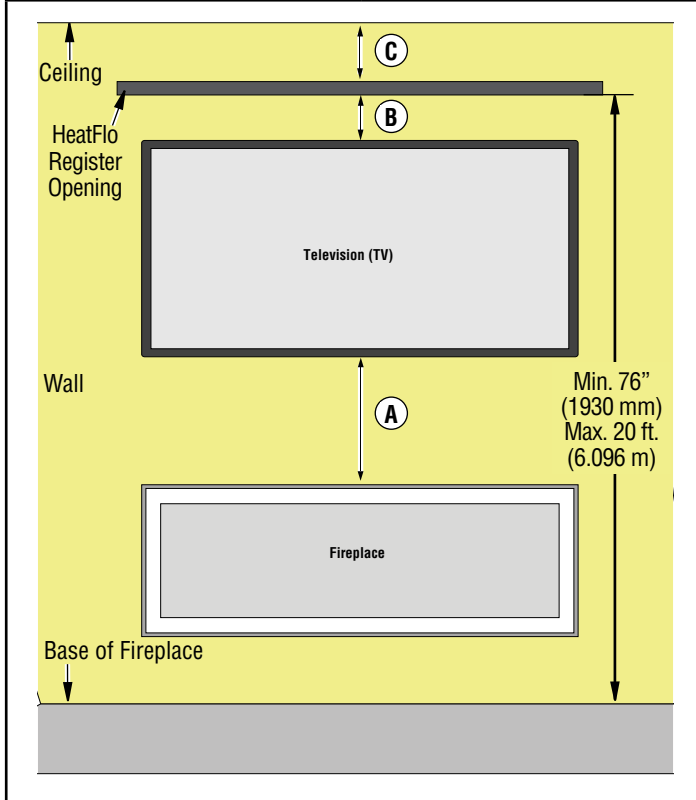


Table 2 - Minimum Dimensions for Television (TV) Installed Above Fireplace on a Recessed Wall Pocket

(A) Pocket Above Fireplace Opening (Min.)	18" (457 mm)
(B) Pocket Below Fireplace Opening (Min.)	5-1/2" (140 mm)
(C*) Vent Opening Below Ceiling	4" (102 mm)

* NOTE: Maximum pocket depth is 3-1/2" (89 mm)

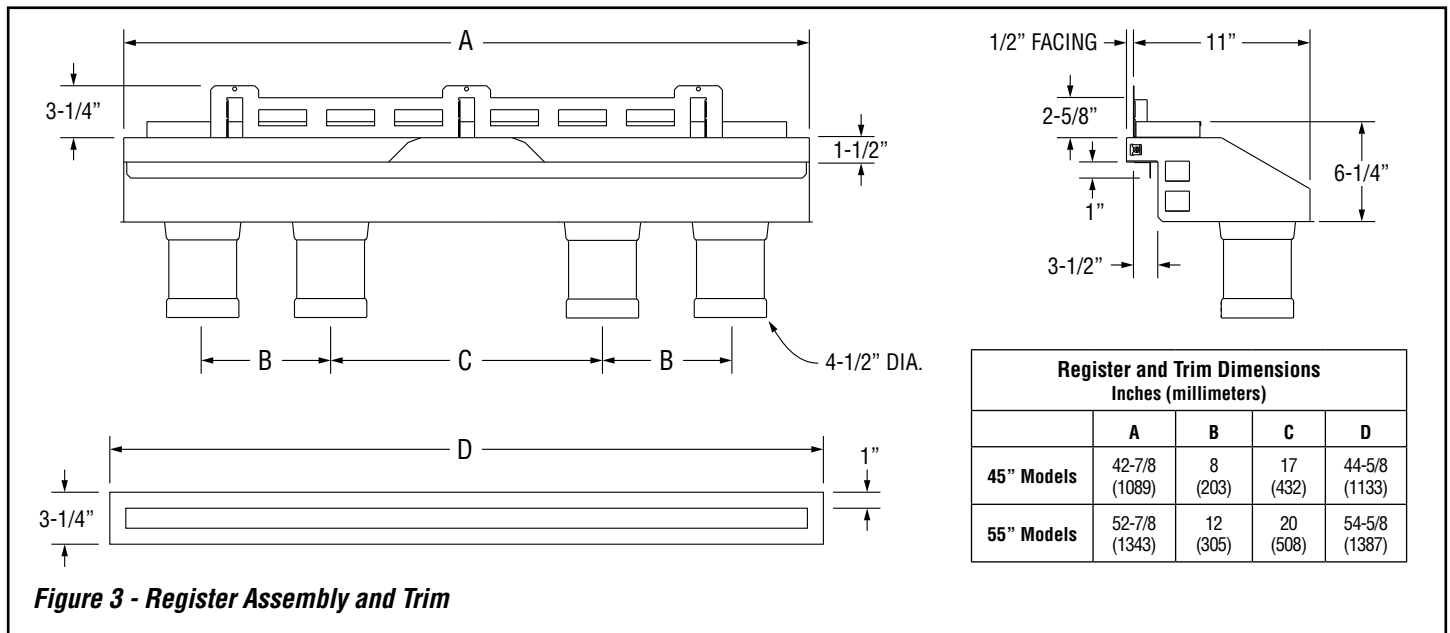
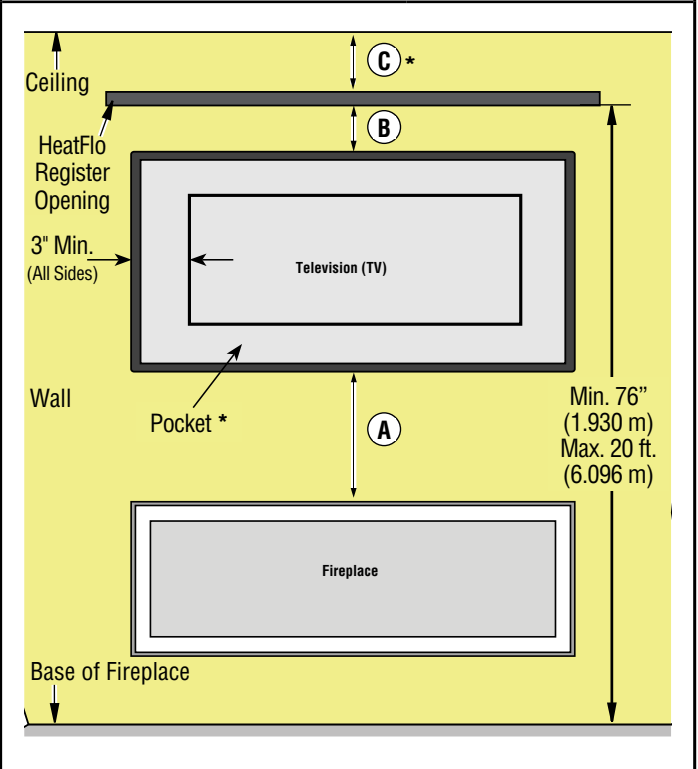


Figure 3 - Register Assembly and Trim

HEATFLO™ KIT INSTALLATION

NOTICE

This kit must be installed by a qualified installer, service agency, or gas supplier at the time of the fireplace installation. These instructions must be used in conjunction with the installation and operation manual provided with the fireplace.

⚠ WARNING

DO NOT cover or place objects in front of the heat register opening. AVOID locating heat register opening within 76 inches above floor level as discharge temperatures are hot!

⚠ WARNING

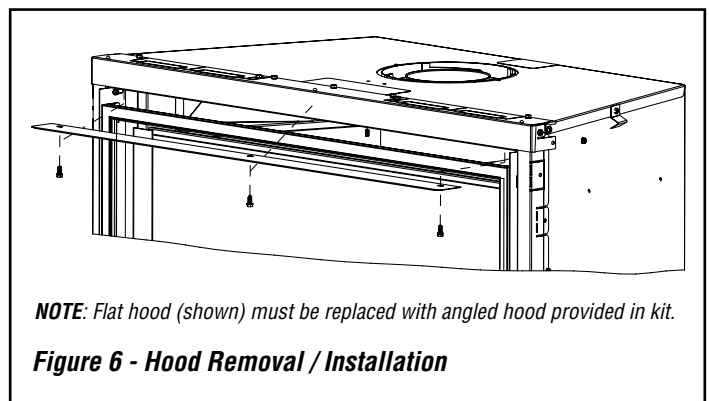
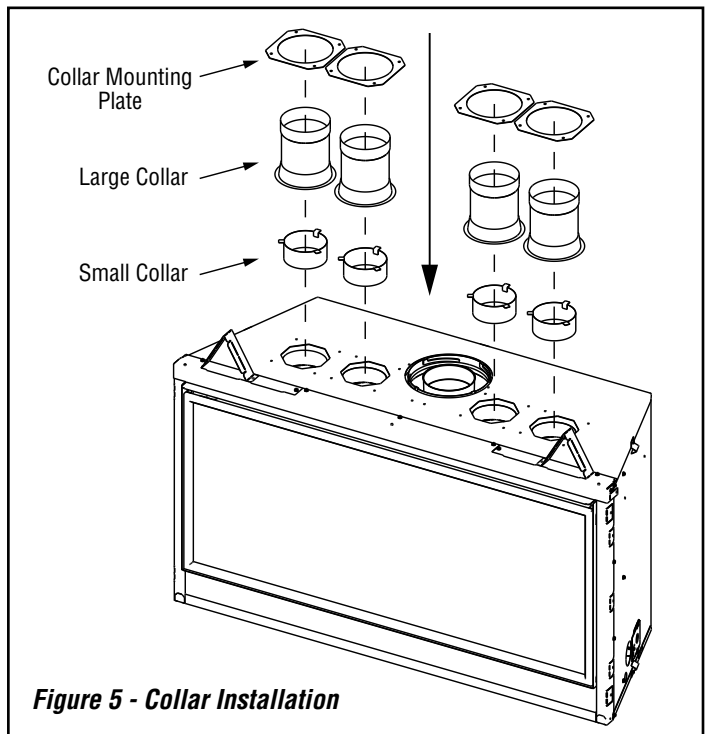
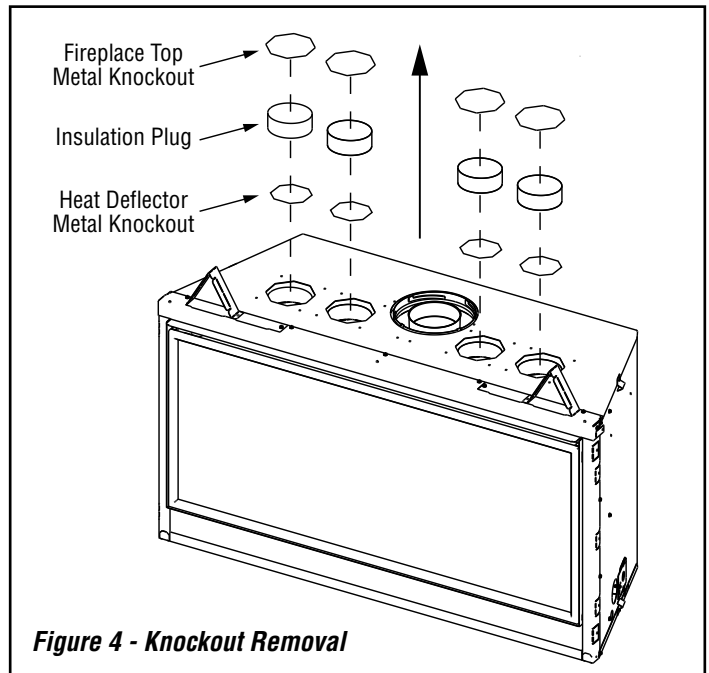
Minimum clearances below the ceiling is 4". Note that staining or streaking may occur on light colored ceilings **due** to any dust, etc. in air flow.

FIREPLACE PREPARATION

NOTE: The installation of this HeatFlo system must be done at the framing stage. Some work can be performed before the fireplace is placed in the framing, though installing the collars onto the fireplace must be done after to prevent interference with framing header when placing fireplace.

NOTE: Before the following steps are performed, it is recommended to prepare the fireplace top spacers, install the non-combustible fireboard standoffs, and install the header shield. Refer to fireplace installation instructions.

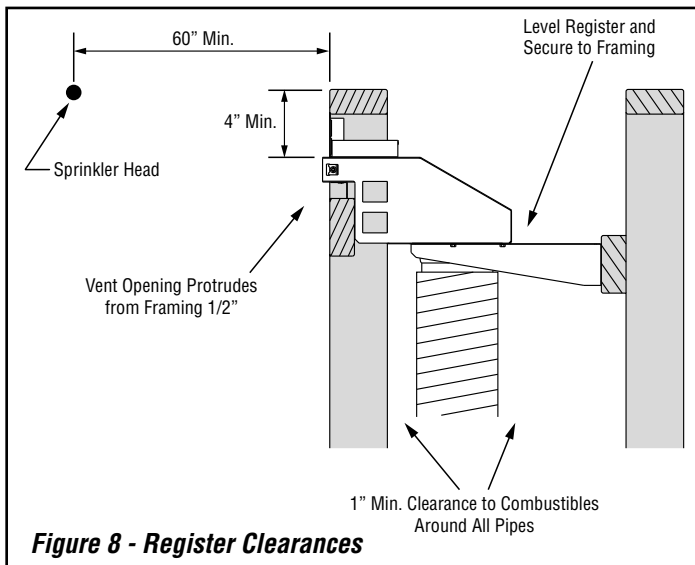
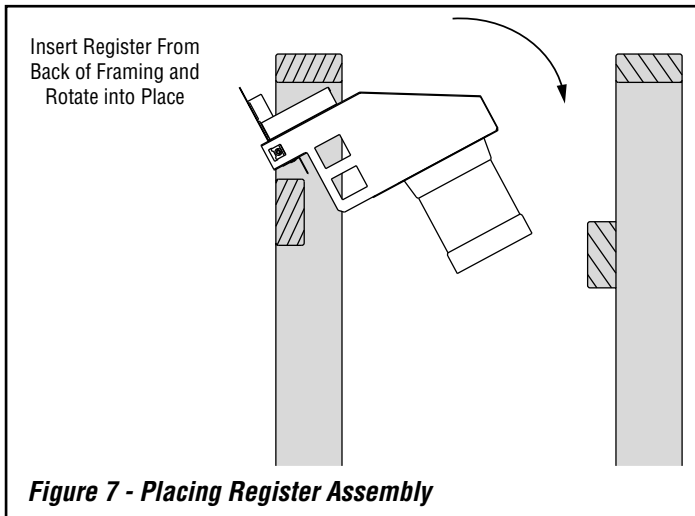
1. Remove four knockouts in fireplace top and discard (**Figure 4**).
2. Remove four precut plugs in insulation between fireplace top and inner heat deflector (**Figure 4**).
3. Remove four knockouts from inner heat deflector (**Figure 4**).
4. Install fireplace into framing according to the fireplace installation instructions.
5. Insert four small collars into knockout openings in fireplace top with tabs up (**Figure 5**). Tabs should be resting on fireplace top.
6. Place four large collars with flange down on fireplace top aligned with small collars (**Figure 5**).
7. Place four collar mounting plates over large collars and attach with screws provided (**Figure 5**).
8. Complete fireplace preparation by removing flat hood from convection opening and replace with angled hood provided (**Figure 6**).



HEATFLO INSTALLATION

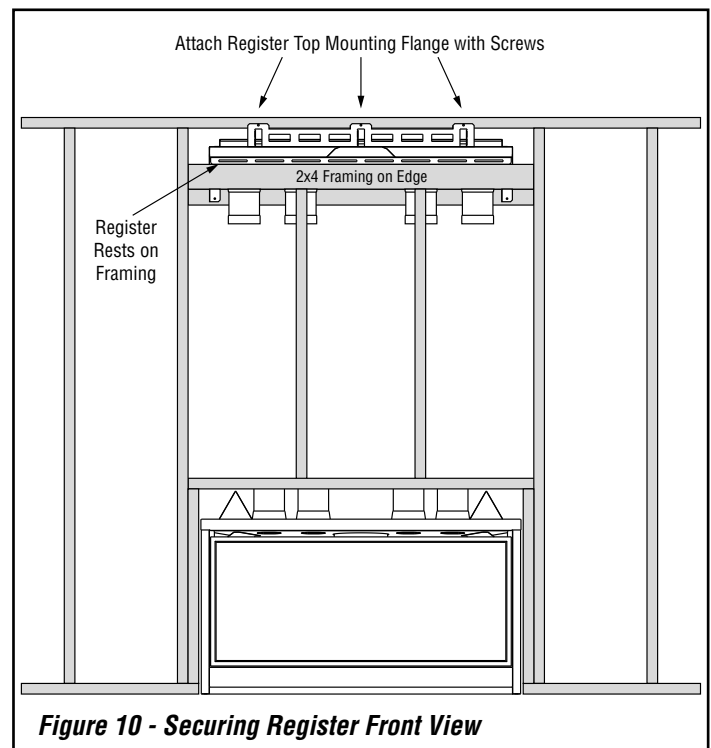
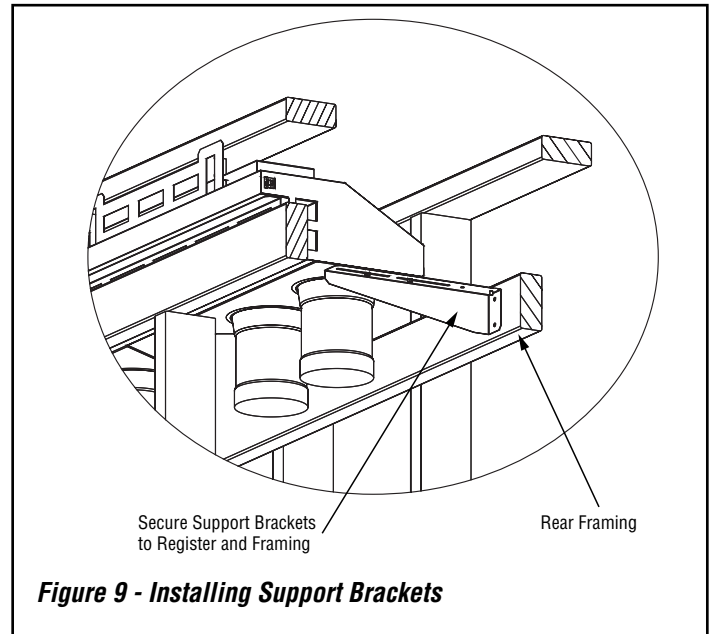
1. Mount the register into the framed opening by tilting forward and inserting from the back while rotating into place with register resting on lower stud of framed opening (**Figures 7 and 8**).
2. Attach register top mounting flange to top of framed opening using screws (**Figure 10**).
NOTE: Top mounting flange is not intended to carry all the weight. The register rests on the lower stud of the framed opening and support brackets.
3. Ensure the register is leveled and its outlet is not distorted, then secure using support brackets (**Figures 8 and 9**). Support brackets must be secured to both register and framing.
4. With fireplace and register fully secured, attach the provided flex pipes to the collars on fireplace and secure with provided gear clamps (**Figure 11**).
5. Stretch flex pipe to slightly less than desired length.
6. With the flex pipes attached to fireplace, connect the flex pipes to register collars and secure with provided gear clamps (**Figure 12**).
7. After wall finishing and facing details are completed, attach trim to register on both sides with provided screws.

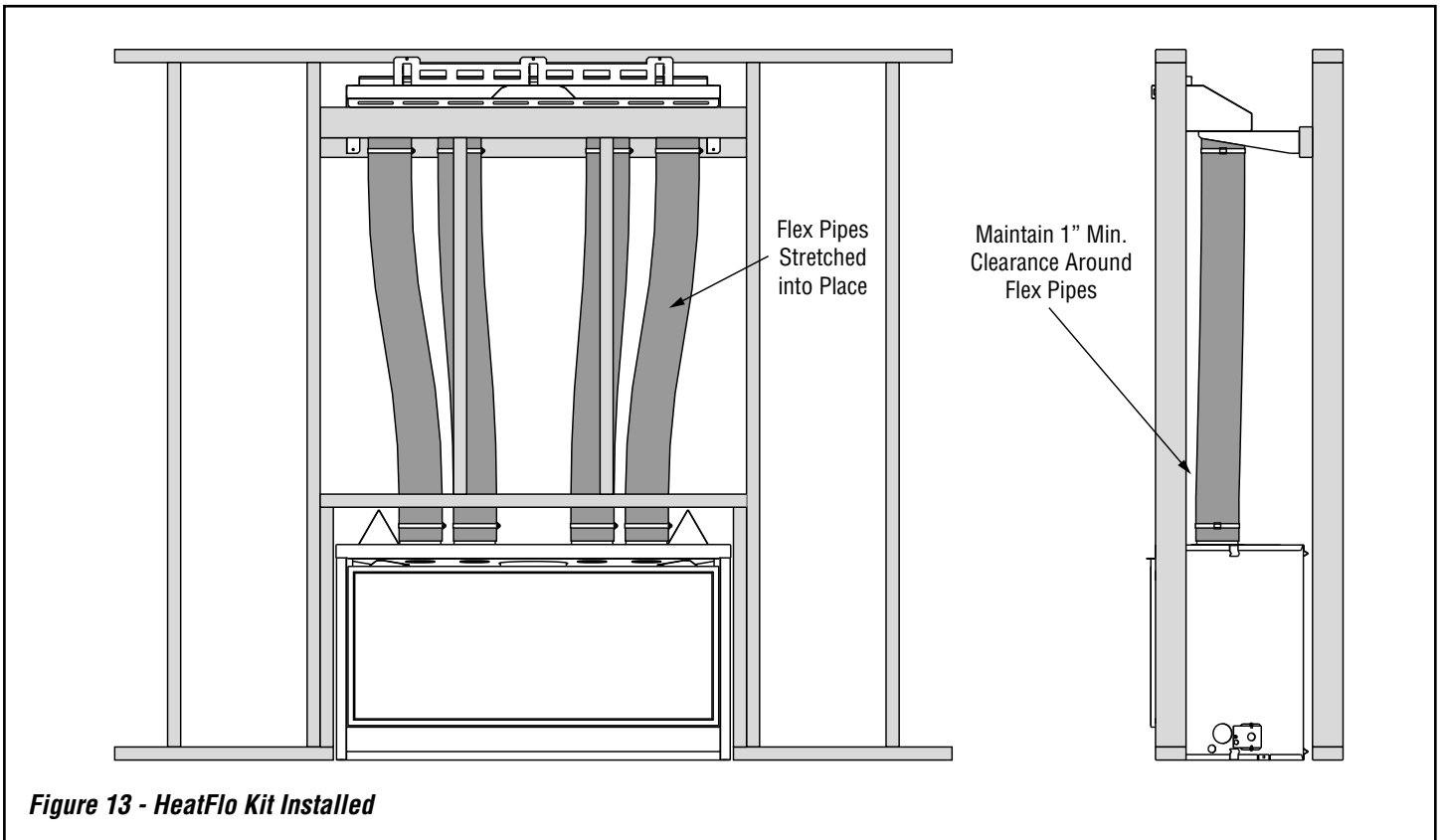
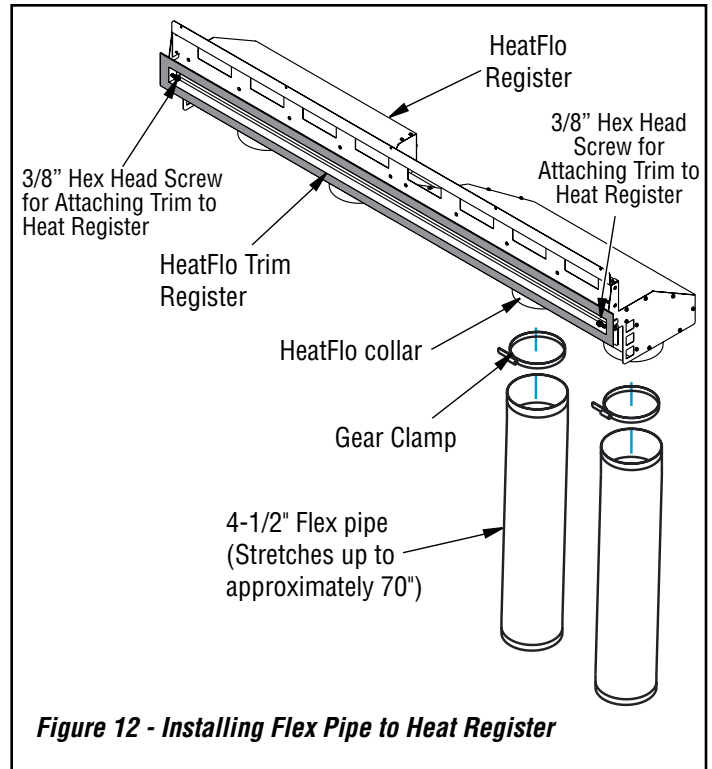
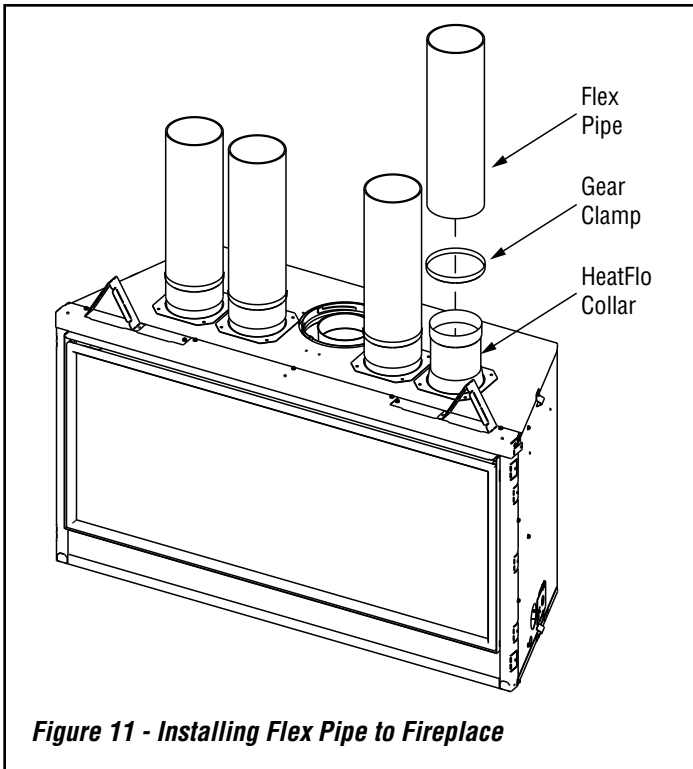
CAUTION: Flex pipe should be stretched out from its compressed state before installation. DO NOT over stretch the Flex. Make sure the flex pipe is slightly loose (but not sagging) when installed to allow for expansion and contraction. Flex pipe must not come in contact with combustible materials. Excessively loose flex could contact combustible materials and cause a fire hazard.



NOTES:

- DO NOT SLICE OR RUPTURE FLEX PIPES!
- Flex pipe stretches up to 2.9 times its compressed length (i.e., 24" long pipe will stretch to approximately 70" maximum).
- Minimum allowed distance from base of fireplace to register vent opening is 76". Maximum is 20ft.
- Maintain 1" min. clearance to combustibles around flex pipes.
- Keep flex pipes as vertical as possible to maintain airflow.
- Do not let flex pipes contact fireplace venting.
- **NOTE:** Trim has 1" of adjustment to allow for different thickness of facing materials.
- **WIRING NOTE:** Do Not let flex pipes come in contact with any type of wiring.





CAUTION: Flex pipe should be stretched out from its compressed state before installation. **DO NOT** over stretch the Flex. Make sure the flex pipe is slightly loose (but not sagging) when installed to allow for expansion and contraction. Flex pipe must not come in contact with combustible materials. Excessively loose flex could contact combustible materials and cause a fire hazard.

FINISHING FIREPLACE

The appliance is designed to mate with 1/2" wall sheathing materials such as drywall, plywood, wood composites, or non-combustible materials.

Finishing and Sealing Joints

All joints between the finished wall sheathing and the appliance must be sealed with non-combustible materials. Sealants, such as caulk or mastic used to seal the gap between the wall and the fireplace, should be rated at a minimum continuous exposure to 300 °F.

Finishing Around Opening with Gypsum Wallboard

Gypsum wallboard (drywall) joints adjacent to the fireplace opening, including the non-combustible board on the appliance, require special attention to minimize cracking. When installing gypsum wallboard around the fireplace, install the hole for the fireplace opening in a single wallboard

sheet, if possible. This will minimize the joints adjacent to the fireplace opening.

Tape wall board joints around the fireplace opening with fiberglass-mesh tape. It will provide a more crack-resistant joint than paper tape. Fill, smooth and finish wall joints with chemically setting-type joint compound. It will provide a more crack-resistant joint than air-drying light-weight compound.

NOTE: NEVER install combustible material (wall finish, surround, trim, etc.) on, in front of, or overlapping any part of the fireplace front face.

NOTE: The HeatFlo Register Trim ships from the factory painted black and it may be painted another color to match the wall color. Use high temperature paint with a minimum 400°F continuous rating. Do not finish over any of the opening in the trim outlet.

NOTE: DIAGRAMS & ILLUSTRATIONS NOT TO SCALE.

Innovative Hearth Products (IHP) reserves the right to make changes at any time, without notice, in design, materials, specifications, prices and also to discontinue colors, styles and products. Consult your local distributor for fireplace code information.



Printed in U.S.A. © 2021 Innovative Hearth Products

P/N 901068-00 REV. NC 03/2021

1769 East Lawrence Street • Russellville, AL 35654