



DIVINE  
MULTI SIDED

SPECIFICATIONS  
AND FEATURES

DIVINE FSD  
TRADITIONAL

DIVINE FSD  
CONTEMPORARY KIT

H38FSD  
H42FSD

See through  
Direct vent

QUICK DIMENSIONS

	H38FSD*		H42FSD*	
	UNIT	FRAM.	UNIT	FRAM.
F.WIDTH	39 <sup>5</sup> / <sub>16</sub>	40 <sup>3</sup> / <sub>4</sub>	43 <sup>5</sup> / <sub>16</sub>	45
B.WIDTH	39 <sup>5</sup> / <sub>16</sub>	40 <sup>3</sup> / <sub>4</sub>	43 <sup>5</sup> / <sub>16</sub>	45
HEIGHT	40 <sup>9</sup> / <sub>16</sub>	42 <sup>1</sup> / <sub>2</sub>	44 <sup>3</sup> / <sub>8</sub>	49 <sup>1</sup> / <sub>2</sub>
DEPTH	24 <sup>1</sup> / <sub>2</sub>	23 <sup>3</sup> / <sub>4</sub>	24 <sup>1</sup> / <sub>2</sub>	24
VIEWING	35 <sup>1</sup> / <sub>4</sub> × 26 <sup>3</sup> / <sub>8</sub>		39 <sup>3</sup> / <sub>8</sub> × 30 <sup>3</sup> / <sub>8</sub>	

Standard

Traditional burner and logset

Heritage brick liner

Wrought iron grate

Manual Hi-Lo flame control

Options

Multi-function remote control

Wall remote

Battery backup

Fans

Surrounds in satin black or stainless steel

Standard

Contemporary burner

Manual Hi-Lo flame control

Options

Glass media

Multi-function remote control

Wall remote

Battery backup

Fans

Surrounds in satin black or stainless steel

BTU LISTING

H38FSDN / 34,000  
H38FSDL / 32,000  
H38FSDNI / 34,000  
H38FSDLI / 32,000

H42FSDN / 37,000  
H42FSDL / 37,000  
H42FSDNI / 37,000  
H42FSDLI / 37,000

EFFICIENCY

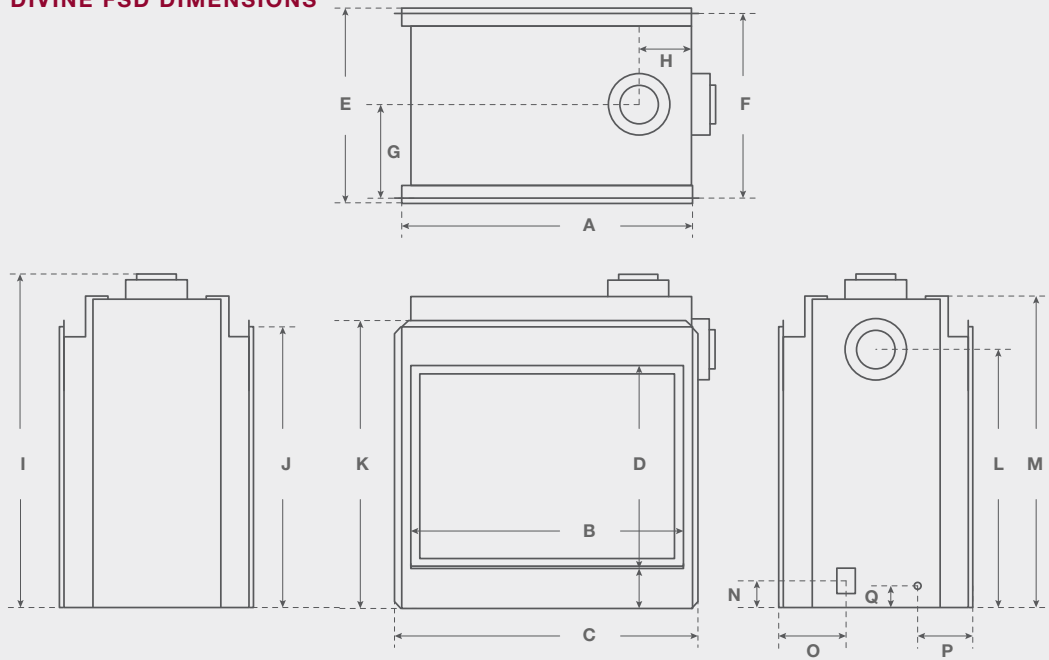
H38FSDN / FE 57.5  
H38FSDL / FE 57.5  
H38FSDNI / FE 58.5  
H38FSDLI / FE 58.5

H42FSDN / FE 66  
H42FSDL / FE 66  
H42FSDNI / FE 68.3  
H42FSDLI / FE 68.3

MONTIGO / STAINLESS SURROUND

MONTIGO / SATIN BLACK SURROUND

**DIVINE FSD DIMENSIONS**



	A	B	C	D	E	F	G	H	I	J	K	L	M	N	O	P	Q
H38FSD	37 <sup>3</sup> / <sub>4</sub>	35 <sup>1</sup> / <sub>4</sub>	39 <sup>5</sup> / <sub>16</sub>	26 <sup>3</sup> / <sub>8</sub>	24 <sup>1</sup> / <sub>2</sub>	24	12	6 <sup>7</sup> / <sub>8</sub>	43 <sup>3</sup> / <sub>16</sub>	36 <sup>1</sup> / <sub>2</sub>	37 <sup>5</sup> / <sub>16</sub>	33 <sup>3</sup> / <sub>16</sub>	40 <sup>9</sup> / <sub>16</sub>	3 <sup>3</sup> / <sub>8</sub>	8 <sup>5</sup> / <sub>8</sub>	7 <sup>3</sup> / <sub>8</sub>	3
H42FSD	42	39 <sup>3</sup> / <sub>8</sub>	43 <sup>3</sup> / <sub>16</sub>	30 <sup>3</sup> / <sub>8</sub>	24 <sup>1</sup> / <sub>2</sub>	24	12	6 <sup>7</sup> / <sub>8</sub>	46 <sup>15</sup> / <sub>16</sub>	40 <sup>1</sup> / <sub>2</sub>	41 <sup>5</sup> / <sub>16</sub>	37 <sup>3</sup> / <sub>8</sub>	44 <sup>3</sup> / <sub>8</sub>	3 <sup>3</sup> / <sub>8</sub>	8 <sup>5</sup> / <sub>8</sub>	7 <sup>3</sup> / <sub>8</sub>	3



MONTIGO / DIVINE / H38FSDNI / TRADITIONAL LOGSET



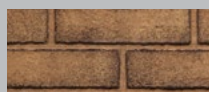
MONTIGO / DIVINE / H42FSDNI / TRADITIONAL LOGSET



REMOTE  
RX200\*\*



WALL REMOTE  
REC1493



HERITAGE<sup>Δ</sup>

<sup>Δ</sup> Standard on H38FSD\*1, H42FSD\*1

OPTIONS &  
FEATURES

# Unit Specifications

## Icon Legend

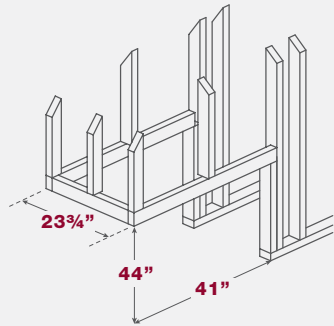
AVAILABLE +

NOT AVAILABLE -

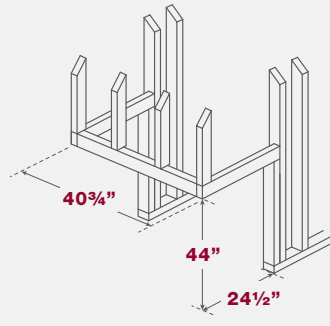
DEDICATED ◊

STANDARD ○

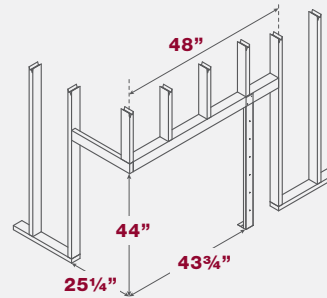
### PIER FRAMING



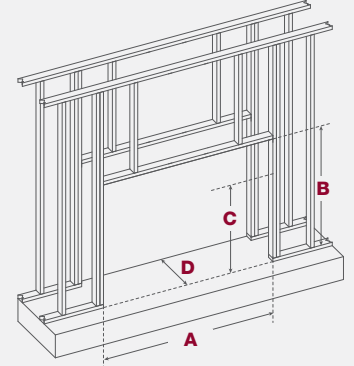
### BAY FRAMING



### CORNER FRAMING



### SEE THROUGH FRAMING



NON COMBUSTIBLE STUD INCLUDED WITH UNIT

Approximate dimensions to center. For best results mount noncombustible stud onto unit, then bolt to 2x4 header and floor.

	A	B	C	D
H38FSD	40 3/4"	42 1/2"	N/A	23 3/4"
H42FSD	45"	49 1/2"	46 1/2"	24"

NON COMBUSTIBLE STUD INCLUDED WITH UNIT - NOT NEEDED FOR H38FSD

	BTU Natural Gas	BTU Liquid Propane	Venting	Clearance Top - Rear vent	Clearance Top - Top vent	Clearance Sides	Clearance Back	Clearance Floor	Front viewing area	Front glass type	Standard media	Invisimesh	Powervent	Remote control	Fans	Uplighting	Downlighting
H38FSD*	34,000	32,000	5"/8"	9	17 1/2	1	2	0	35 3/4 x 26 3/8	Tempered	Traditional	○	+	+	+	-	-
H38FSD*1	34,000	32,000	5"/8"	9	17 1/2	1	2	0	35 3/4 x 26 3/8	Tempered	Traditional	○	+	+	+	-	-
H42FSD*	37,000	37,000	5"/8"	9	17 1/2	1	2	0	39 3/8 x 30 3/8	Tempered	Traditional	○	+	+	+	-	-
H42FSD*1	37,000	37,000	5"/8"	9	17 1/2	1	1	0	39 3/8 x 30 3/8	Tempered	Traditional	○	+	+	+	-	-
H38PF*1-2	34,000	32,000	5"/8"	9	17 1/2	1	1	0	32 1/8 x 21 5/8	Tempered	Traditional	○	+	○	-	-	-
HL38PF*1-2	34,000	32,000	5"/8"	9	17 1/2	1	1	0	32 1/8 x 21 5/8	Tempered	HW1157	○	+	○	-	-	-
H38PR*1-2	34,000	32,000	5"/8"	9	17 1/2	1	1	0	32 1/8 x 24 3/4	Tempered	Traditional	○	+	○	-	-	-
HL38PR*1-2	34,000	32,000	5"/8"	9	17 1/2	1	1	0	32 1/8 x 24 3/4	Tempered	HW1157	○	+	○	-	-	-
H38CL*1-2	34,000	32,000	5"/8"	9	17 1/2	1	1	0	32 1/8 x 24 3/4	Tempered	Traditional	○	+	○	-	-	-
HL38CL*1-2	34,000	32,000	5"/8"	9	17 1/2	1	1	0	32 1/8 x 24 3/4	Tempered	HW1157	○	+	○	-	-	-
H38CR*1-2	34,000	32,000	5"/8"	9	17 1/2	1	1	0	32 1/8 x 24 3/4	Tempered	Traditional	○	+	○	-	-	-
HL38CR*1-2	34,000	32,000	5"/8"	9	17 1/2	1	1	0	32 1/8 x 24 3/4	Tempered	HW1157	○	+	○	-	-	-