



Features

Convertible to top or rear flue vent

Hi-Lo control to adjust flame level

DIVINE
SINGLE SIDED

SPECIFICATIONS AND FEATURES

H42
TRADITIONAL

HL42
CONTEMPORARY

HW42-2 DELUXE
WILDFIRE

Standard

Traditional burner and logset

Manual Hi-Lo flame control

Options

Traditional liners

River rocks [NG only]

Fans with speed control

Surrounds in satin black or stainless steel

Multi-function remote control

Standard

Contemporary burner with Ice fireglass

Manual Hi-Lo flame control

Options

Speckled stones, glass media

Fans with speed control

Surrounds in satin black or stainless steel

Multi-function remote control

Standard

Wildfire burner and logset

Herringbone brick liner

Wrought iron grate

Multi-function remote control

Battery backup

Remote Hi-Lo flame control

Options

Fans with speed control

Wall remote

Black reflective glass

Surrounds in satin black or stainless steel

H42, HL42,
HW42 Wildfire

Single sided
Direct vent

QUICK DIMENSIONS

H*42	UNIT FRAM.	
F.WIDTH	43 ³ / ₁₆	42
B.WIDTH	28 ³ / ₁₆	42
HEIGHT	41 ¹ / ₁₆	46 ¹ / ₂
DEPTH	20 ³ / ₁₆	21 ³ / ₁₆
VIEWING	39 ¹ / ₂ x 28 ³ / ₁₆	

BTU LISTING

H42DFN* / 34,000
H42DFL* / 32,000
HL42DFNI / 34,000

HL42DFLI / 32,000
HW42DFNI-2 / 34,000

EFFICIENCY

H42DFN / FE 59
H42DFL / FE 59

H42DFLI / FE 60.6
H42DFNI / FE 60.6



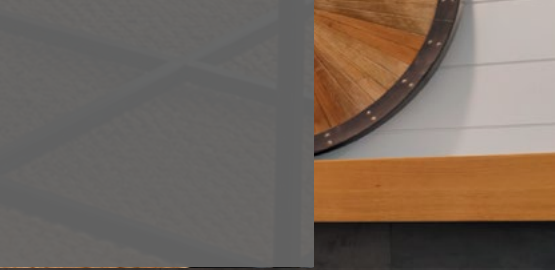
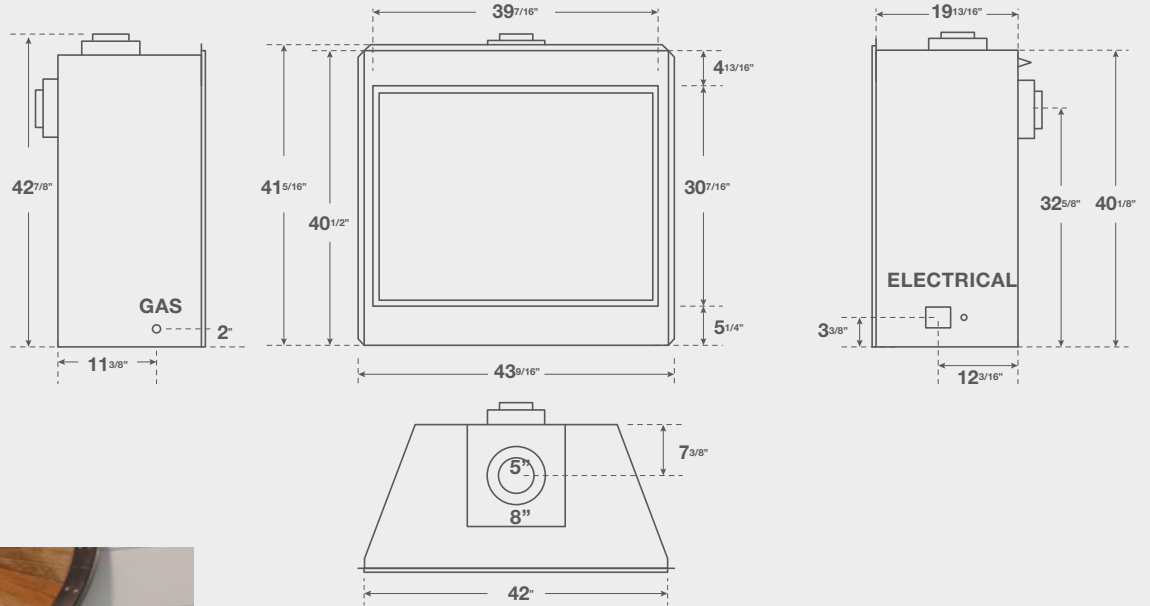
H42 / STAINLESS SURROUND



HL42 / SATIN BLACK SURROUND



H42 DIMENSIONS



MONTIGO / DIVINE / HL42 / RIVER ROCKS

MONTIGO / DIVINE / HW42 / TRADITIONAL LOGSET



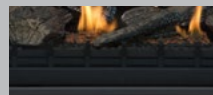
OPTIONS & FEATURES



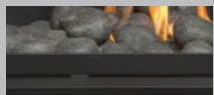
REMOTE^Δ
RX100**



WALL REMOTE
REC1493



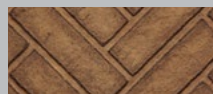
IRON GRATE^{†Δ}
HWIG42



RIVER ROCK[†]
RBHR42R

[†]Optional for H42 only
^ΔStandard on HW42DF[†]-1-2

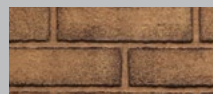
LINERS



HERRING BONE^{†Δ}
HBK42H



COLONIAL[†]
HBK42C



HERITAGE[†]
HBK42R



BLACK GLASS
RGPH42

Unit Specifications

Icon Legend

AVAILABLE +

NOT AVAILABLE -

DEDICATED ◊

STANDARD ○

	BTU Natural Gas	BTU Liquid Propane	Venting	Clearance Top - Rear vent	Clearance Top - Top vent	Clearance Sides	Clearance Back	Clearance Floor	Front viewing area	Front glass type	Standard media	Invisimesh screen	Powervent	Remote control	Fans	Uplighting	Downlighting
H34DF*	18,000	18,000	4"/7"	9	17½	1	2	0	31⅜x22¾	Tempered	Traditional	○	+	○	○	-	-
HLB34DF*	18,000	18,000	4"/7"	11	17½	1	2	0	31⅜x22¾	Tempered	HW1157	○	+	+	+	-	-
HLB34DF*-2	18,000	18,000	4"/7"	11	17½	1	2	0	31⅜x22¾	Tempered	Speckled	○	+	○	○	-	-
H38DF*	26,000	26,000	5"/8"	9	17½	1	2	0	35¼x26¾	Tempered	Traditional	○	+	+	+	-	-
HL38DF	26,000	26,000	5"/8"	9	17½	1	2	0	35¼x26¾	Tempered	HW1157	○	+	+	+	-	-
HW38DF	34,000	30,000	5"/8"	9	17½	1	3	0	35¼x26¾	Neoceramic	Wildfire	○	+	○	+	-	-
H42DF*	34,000	32,000	5"/8"	9	17½	1	1	0	39⅞x30⅞	Tempered	Traditional	○	+	+	+	-	-
HL42DF	34,000	32,000	5"/8"	9	17½	1	1	0	39⅞x30⅞	Tempered	HW1157	○	+	+	+	-	-
HW42DF	34,000	32,000	5"/8"	9	17½	1	1	0	39⅞x30⅞	Tempered	Wildfire	○	+	○	+	-	-
H36PV	55,000	N/A	5"/8"	9	17½	1	1	0	38½x31½	Tempered	Traditional	○	◊	-	-	-	-

DIVINE FRAMING

	A	B	C	D	E	F
H34	39	20	33⅞	40	56¼	0
H36	50	24	46	61¼	81	1
H38	42	21⅞	37¾	43⅞	62	0
H42	46½	21⅞	42	48⅞	68	0

See instruction manual for detailed instructions

Header on edge not required if framing meets clearance to venting

FRAMING DIMENSIONS

