

MONTIGO[®]

DIVINE SINGLE SIDED

H34DF

HLB34DF

HLB34DF-2

H38DF

HL38DF

HW38DF-2

H42DF

HL42DF

HW42DF-2

H36PV

DIVINE / PROUDLY HANDCRAFTED IN NORTH AMERICA



DIVINE / LEGACY H SERIES



THE MOST VERSA IN THE INDUS

DIVINE
SINGLE SIDED

DIVINE / PROUDLY HANDCRAFTED IN NORTH AMERICA

H34, HLB34, HLB34 Deluxe

Single sided
Direct vent

QUICK DIMENSIONS

H*34	UNIT	FRAM.
F.WIDTH	35 ³ / ₈	33 ³ / ₈
B.WIDTH	35 ³ / ₈	33 ³ / ₈
HEIGHT	35 ¹ / ₈	39
DEPTH	19 ¹ / ₄	20
VIEWING	31 ³ / ₈ × 22 ³ / ₄	

H34 TRADITIONAL

Standard

Traditional burner and logset

Manual Hi-Lo flame control

Options

Traditional liners

River rock [NG only]

Fans with speed control

Surrounds in satin black or stainless steel

Remote control

HLB34 CONTEMPORARY

Standard

Concealed burner with Ice fireglass

Manual Hi-Lo flame control

Options

Speckled stones, glass media

Multi-function remote control

Remote controlled fans

Black reflective glass

Surrounds in satin black or stainless steel

HLB34-2 DELUXE CONTEMPORARY

Standard

Concealed burner

Speckled stones, driftwood

Multi-function remote control

Remote controlled fans

Remote Hi-Lo flame control

Black reflective glass

Options

Wall remote

Surrounds in satin black or stainless steel

BTU LISTING

H34DF** / 18,000
HLB34DF** / 18,000
HLB34DF**-2 / 18,000

EFFICIENCY

H34DFN / FE 56.5
H34DFL / FE 58

H34DFNI / FE 58
H34DFLI / FE 58

HLB34DFNI / FE 50
HLB34DFLI / FE 50

HLB34DFNI-2 / FE 50
HLB34DFLI-2 / FE 50



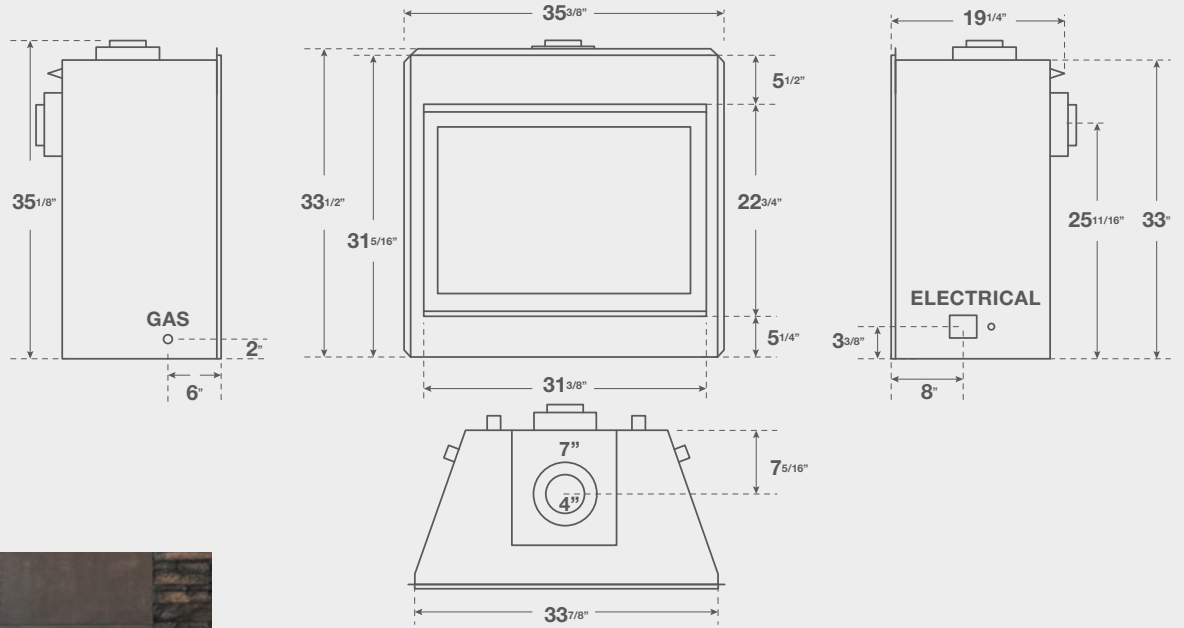


MONTIGO / STAINLESS SURROUND



MONTIGO / SATIN BLACK SURROUND

H34 DIMENSIONS



TILE STRY



MONTIGO / DIVINE / HLB34DFN1-2 / DRIFTWOOD SPECKLED STONES



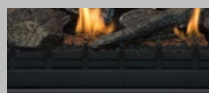
MONTIGO / DIVINE / H34DFN / TRADITIONAL LOGSET



REMOTE[†]
RX200**



WALL REMOTE
REC1493



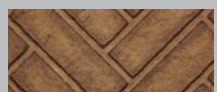
IRON GRATE[†]
HWIG34



RIVER ROCK[†]
RBHR34R

[†] Optional for H34 only
[‡] Optional for HLB34 only
[▲] Standard on HLB34DF1-2

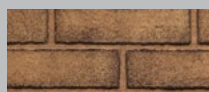
LINERS



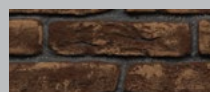
HERRING BONE[†]
HBK34H



COLONIAL[†]
HBK34SHC



HERITAGE[†]
HBK34SHR



RUSTIC BROWN[†]
HBK34SRB



RUSTIC RED[†]
HBK34SRR



BLACK GLASS^{†▲}
RGPH34



Features

Convertible to top or rear flue vent

Hi-Lo control to adjust flame level

THE MOST VERSA IN THE INDUS

DIVINE

SINGLE SIDED

DIVINE / PROUDLY HANDCRAFTED IN NORTH AMERICA

H38, HL38, HW38 Wildfire

Single sided
Direct vent

QUICK DIMENSIONS

H*38	UNIT FRAM.	
F.WIDTH	39 ⁵ / ₁₆	37 ³ / ₄
B.WIDTH	24 ⁷ / ₁₆	37 ³ / ₄
HEIGHT	38 ⁵ / ₁₆	42
DEPTH	18 ¹ / ₄	21 ¹ / ₂
VIEWING	35 ¹ / ₄ x 26 ⁵ / ₁₆	

H38 TRADITIONAL

Standard

Traditional burner and logset

Manual Hi-Lo flame control

Options

Traditional liners

River rocks [NG only]

Fans with speed control

Surrounds in satin black or stainless steel

Multi-function remote control

HL38 CONTEMPORARY

Standard

Contemporary burner with Ice fireglass

Manual Hi-Lo flame control

Options

Speckled stones, glass media

Fans with speed control

Surrounds in satin black or stainless steel

Multi-function remote control

HW38-2 DELUXE WILDFIRE

Standard

Wildfire burner and logset

Herringbone brick liner

Wrought iron grate

Multi-function remote control

Battery backup

Remote Hi-Lo flame control

Options

Fans with speed control

Wall remote

Black porcelain liner

Surrounds in satin black or stainless steel

BTU LISTING

H38DF** / 26,000
HL38DF** / 25,000
HW38DFN*-2 / 34,000
HW38DFL*-2 / 30,000

EFFICIENCY

H38DFN / FE 55
H38DFL / FE 55
H38DFNI / FE 56

H38DFLI / FE 56
HL38DFN / FE 55
HL38DFL / FE 54

HL38DFNI / FE 56
HL38DFLI / FE 55

HW38DFNI-2 / FE 64
HW38DFLI-2 / FE 65





TILE
STRY

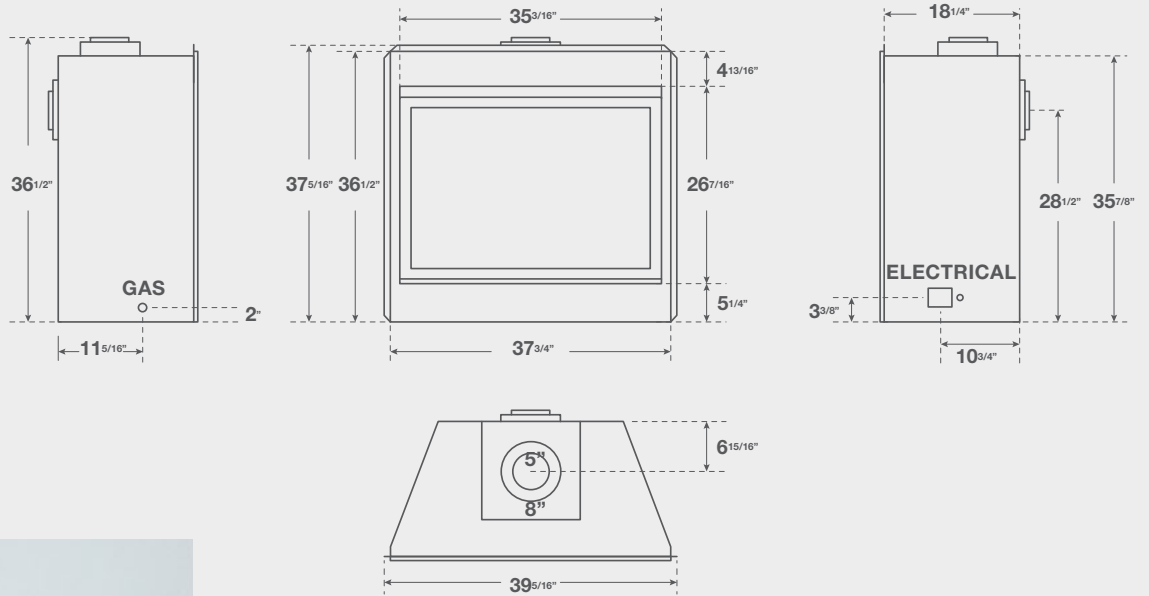


MONTIGO / STAINLESS SURROUND



MONTIGO / SATIN BLACK SURROUND

H38 DIMENSIONS



MONTIGO / DIVINE / HL38DFNI / SAGE FIREBEADS

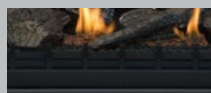
MONTIGO / DIVINE / H38 / TRADITIONAL LOGSET



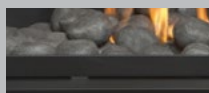
REMOTE^A
RX100**



WALL REMOTE
REC1493



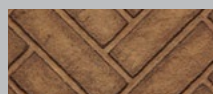
IRON GRATE[†]
HWIG38



RIVER ROCK[†]
RBHR38R

[†]Optional for H38 only
[‡]Not available for HW38
[§]Optional for HW38 only
[^]Standard on HW38DF*1-2

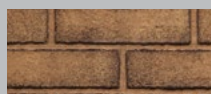
LINERS



HERRING BONE^{†^}
HBK38H



COLONIAL[†]
HBK38SHC



HERITAGE[†]
HBK38SHR



BLACK GLASS[†]
RGPH38



BLACK PORCELAIN[§]
PPHW38

DIVINE / PROUDLY HANDCRAFTED IN NORTH AMERICA



Features

Convertible to top or rear flue vent

Hi-Lo control to adjust flame level

THE MOST VERSA IN THE INDUS

DIVINE
SINGLE SIDED

H42, HL42, HW42 Wildfire

Single sided
Direct vent

QUICK DIMENSIONS

H*42	UNIT	FRAM.
F.WIDTH	43 ³ / ₁₆	42
B.WIDTH	28 ³ / ₁₆	42
HEIGHT	41 ¹ / ₁₆	46 ¹ / ₂
DEPTH	20 ³ / ₁₆	21 ¹ / ₁₆
VIEWING	39 ¹ / ₂ x 28 ³ / ₁₆	

**H42
TRADITIONAL**

Standard

Traditional burner and logset

Manual Hi-Lo flame control

Options

Traditional liners

River rocks [NG only]

Fans with speed control

Surrounds in satin black or stainless steel

Multi-function remote control

**HL42
CONTEMPORARY**

Standard

Contemporary burner with Ice fireglass

Manual Hi-Lo flame control

Options

Speckled stones, glass media

Fans with speed control

Surrounds in satin black or stainless steel

Multi-function remote control

**HW42-2 DELUXE
WILDFIRE**

Standard

Wildfire burner and logset

Herringbone brick liner

Wrought iron grate

Multi-function remote control

Battery backup

Remote Hi-Lo flame control

Options

Fans with speed control

Wall remote

Black reflective glass

Surrounds in satin black or stainless steel

BTU LISTING

H42DFN* / 34,000
H42DFL* / 32,000
HL42DFNI / 34,000

EFFICIENCY

HL42DFLI / 32,000
HW42DFNI-2 / 34,000

H42DFN / FE 59
H42DFL / FE 59

H42DFLI / FE 60.6
H42DFNI / FE 60.6



TILE
STRY

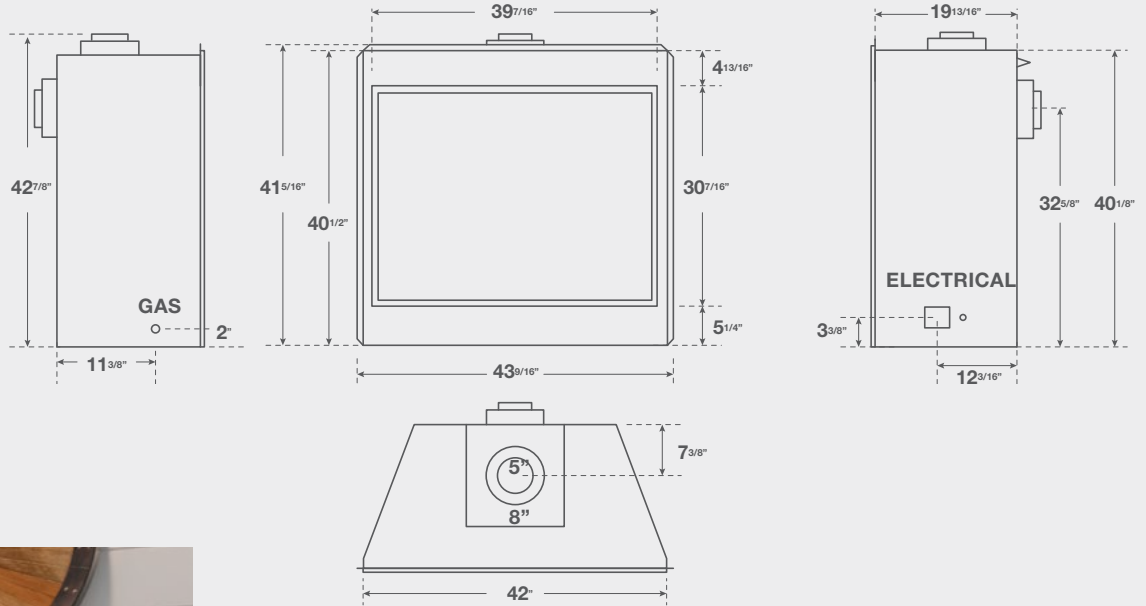


H42 / STAINLESS SURROUND



HL42 / SATIN BLACK SURROUND

H42 DIMENSIONS



MONTIGO / DIVINE / HL42 / RIVER ROCKS



MONTIGO / DIVINE / HW42 / TRADITIONAL LOGSET

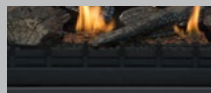
OPTIONS & FEATURES



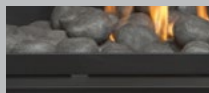
REMOTE^Δ
RX100**



WALL REMOTE
REC1493



IRON GRATE^{†Δ}
HWIG42



RIVER ROCK[†]
RBHR42R

[†]Optional for H42 only
^ΔStandard on HW42DF[†]-1-2

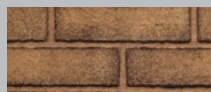
LINERS



HERRING BONE^{†Δ}
HBK42H



COLONIAL[†]
HBK42C



HERITAGE[†]
HBK42R



BLACK GLASS
RGPH42



THE CROWD PLEASER

DIVINE
SINGLE SIDED

DIVINE / PROUDLY HANDCRAFTED IN NORTH AMERICA

H36PV

Single sided
Power vented

H36PV TRADITIONAL

Standard

Flush floor burner and logset

Herringbone liner

Wrought iron grate

Manual Hi-Lo flame control

Options

Remote control on/off

H36PV POWER VENTS

Wall Mount

EDVWSPV58

Flush Wall Mount

PVHIN58-300

Roof Mount

PVEX58-200

QUICK DIMENSIONS

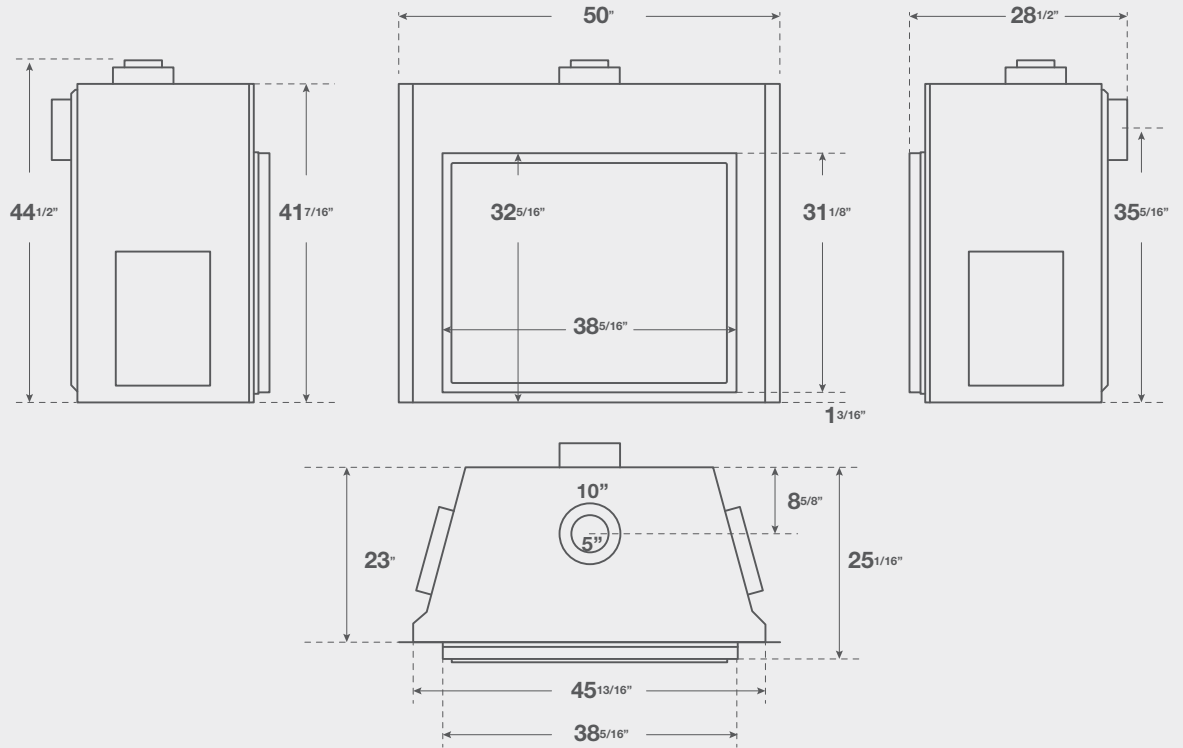
H36	UNIT	FRAM.
F.WIDTH	50	46
B.WIDTH	32¼	46
HEIGHT	41⅞	50
DEPTH	25¼	24
VIEWING	38½ x 31½	

BTU LISTING
H36PVNI / 55,000

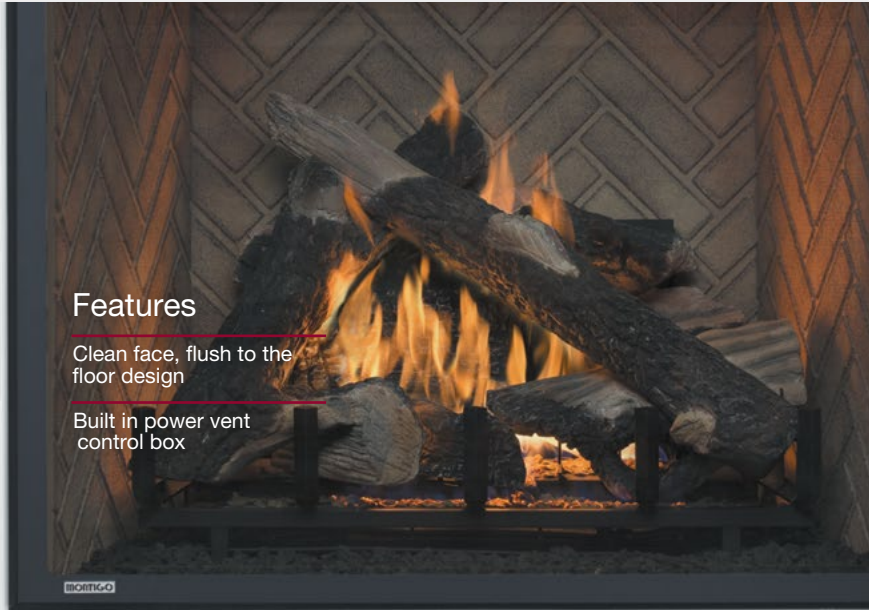




H36 DIMENSIONS



MONTIGO / DIVINE / H36 / TRADITIONAL LOGSET



Features

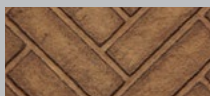
Clean face, flush to the floor design

Built in power vent control box

OPTIONS & FEATURES



REMOTE ON/OFF
RXM40VAC



HERRING BONE^Δ



IRON GRATE^Δ

^ΔStandard on H36PVNI

RIVER ROCKS
RBHR

COPPER
HW1143

AMBER
HW1261

ICE
HW1157

GLACIER
HW1219B

PLATINUM
HW1144

ALABASTER
HW1260

OBSIDIAN
HW1113

ONYX
HW1259

MEDIA

FROST
HW1112

QUARTZ
HW1106

EBONY
HW1091

DRIFTWOOD
LGS***

SPECKLED STONES
SS***

Unit Specifications

Icon Legend

AVAILABLE +

NOT AVAILABLE -

DEDICATED ◊

STANDARD ○

	BTU Natural Gas	BTU Liquid Propane	Venting	Clearance Top - Rear vent	Clearance Top - Top vent	Clearance Sides	Clearance Back	Clearance Floor	Front viewing area	Front glass type	Standard media	Invisimesh screen	Powervent	Remote control	Fans	Uplighting	Downlighting
H34DF*	18,000	18,000	4"/7"	9	17½	1	2	0	31⅜x22¾	Tempered	Traditional	○	+	○	○	-	-
HLB34DF*	18,000	18,000	4"/7"	11	17½	1	2	0	31⅜x22¾	Tempered	HW1157	○	+	+	+	-	-
HLB34DF*-2	18,000	18,000	4"/7"	11	17½	1	2	0	31⅜x22¾	Tempered	Speckled	○	+	○	○	-	-
H38DF*	26,000	26,000	5"/8"	9	17½	1	2	0	35¼x26¾	Tempered	Traditional	○	+	+	+	-	-
HL38DF	26,000	26,000	5"/8"	9	17½	1	2	0	35¼x26¾	Tempered	HW1157	○	+	+	+	-	-
HW38DF	34,000	30,000	5"/8"	9	17½	1	3	0	35¼x26¾	Neoceramic	Wildfire	○	+	○	+	-	-
H42DF*	34,000	32,000	5"/8"	9	17½	1	1	0	39⅞x30⅞	Tempered	Traditional	○	+	+	+	-	-
HL42DF	34,000	32,000	5"/8"	9	17½	1	1	0	39⅞x30⅞	Tempered	HW1157	○	+	+	+	-	-
HW42DF	34,000	32,000	5"/8"	9	17½	1	1	0	39⅞x30⅞	Tempered	Wildfire	○	+	○	+	-	-
H36PV	55,000	N/A	5"/8"	9	17½	1	1	0	38½x31½	Tempered	Traditional	○	◊	-	-	-	-

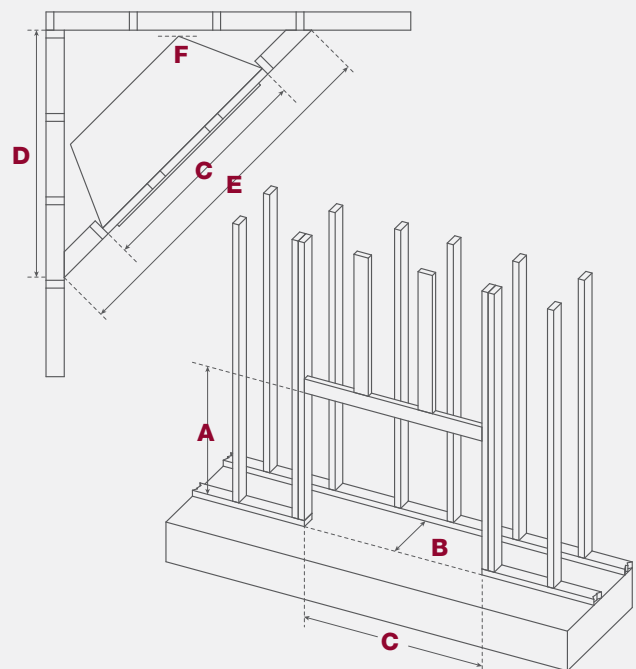
DIVINE FRAMING

	A	B	C	D	E	F
H34	39	20	33⅞	40	56¼	0
H36	50	24	46	61¼	81	1
H38	42	21⅞	37¾	43⅞	62	0
H42	46½	21⅞	42	48⅞	68	0

See instruction manual for detailed instructions

Header on edge not required if framing meets clearance to venting

FRAMING DIMENSIONS



1976: The Days Before Gas Fireplaces

In 1976, Montigo president and founder, Dan Binzer, started installing zero-clearance wood burning fireplaces for local builders in Vancouver, BC. Over the years, demand grew for a gas alternative, and Dan engineered and manufactured the first ever sandpan logset. The logset was installed in a zero-clearance wood burning fireplaces shell, resulting in one of the first zero-clearance gas fireplaces on the market.

1985: Gas Fireplace Manufacturing Begins

Demand for gas grew rapidly, especially among multi-unit developments so Dan Binzer started a company called Canadian Heating that would offer full service design, engineering and manufacturing for gas fireplaces. Under the Montigo brand, Canadian Heating began manufacturing and selling a wide selection of zero-clearance gas fireplaces throughout Canada and in 1985 development began for the latest and greatest in gas fireplace technology – direct venting.

1994: Manufacturing Excellence is Achieved

Development and advancement of the gas fireplace continued over the years with continual developments to improve the efficiency of the fireplaces and perfected manufacturing processes to deliver an optimum fireplace each and every time – even for completely custom units.

Present: Leading the Way with Modern Fireplace Design

As one of the first to bring a linear designed fireplace to market, Montigo now offers the largest selection of linear fireplaces demanded by designers, architects and homeowners wanting to create a modern and contemporary space and homeowners wanting to create a modern and contemporary space.

WARNING

Some materials used in the manufacturing process of this product can expose you to Benzene which is known in the State of California to cause cancer and birth defects or other reproductive harm. For more information go to www.P65warnings.ca.gov

for more inspiration go to
www.montigo.com

MONTIGO[®]
the art of **fireplaces**



Our Guarantee

Montigo[®] stands behind the craftsmanship and durability of our products by providing a 15 year warranty on the burner and firebox in all our residential fireplaces. All made using steel milled in the United States.



Printed in Canada

XB2212