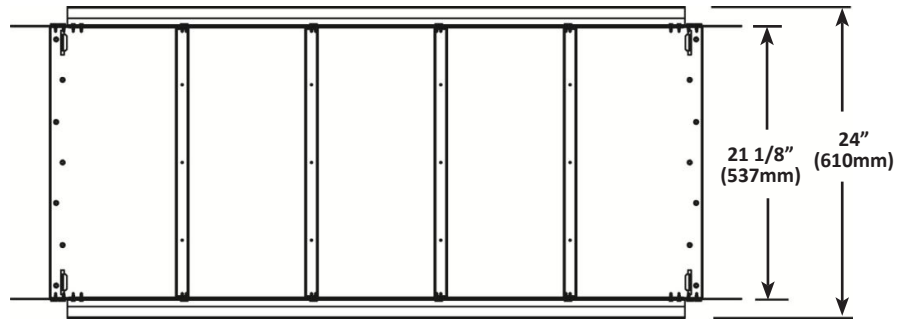


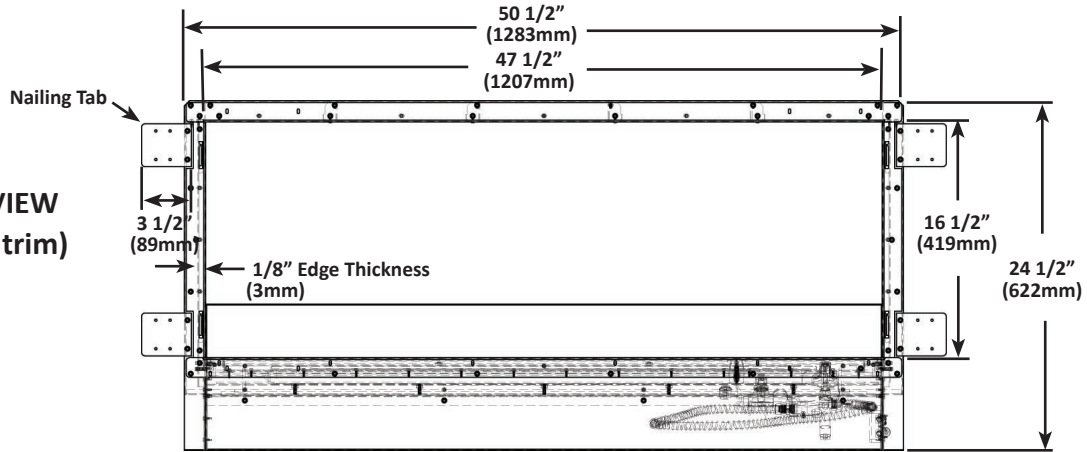
# Dimensions

*GSS48ST*

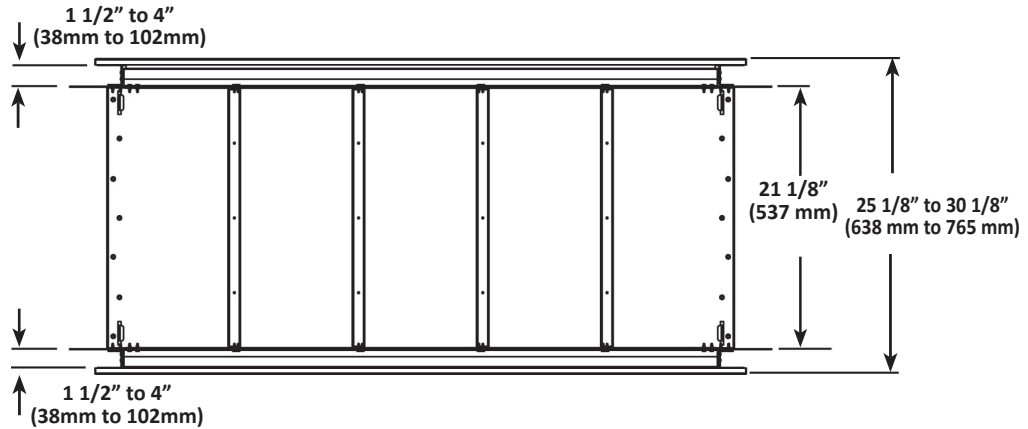
**TOP VIEW  
(without trim)**



**FRONT VIEW  
(without trim)**



**TOP VIEW  
(with trim)**



**FRONT VIEW  
(with trim)**

