

**OUTDOOR GAS FIREPLACE
GSS48 / GSS48ST**

NOTE! LED Light instructions are located on page 24.



DANGER! CARBON MONOXIDE HAZARD

This appliance can produce carbon monoxide, which has no odor. Using it in an enclosed space can kill you. Never use this appliance in an enclosed space such as a camper, tent, car or home.



DANGER

IF YOU SMELL GAS:

- Shut off gas to the appliance.
- Extinguish any open flame.
- If odor continues, keep away from the appliance and immediately call your gas supplier or fire department.



WARNING! For Outdoor Use Only.



WARNING

Do not try to light this appliance without reading the "LIGHTING" instructions section of this manual. **DO NOT PLACE ARTICLES ON OR AGAINST THIS APPLIANCE.** **DO NOT USE OR STORE FLAMMABLE MATERIALS NEAR THIS APPLIANCE.** **DO NOT SPRAY AEROSOLS IN THE VICINITY OF THIS APPLIANCE WHILE IT IS IN OPERATION.** An L.P. cylinder not connected for use must not be stored in the vicinity of this or any other appliance. If the information in these instructions is not followed exactly, a fire or explosion may result, causing property damage, personal injury or death.



WARNING!

- Hot glass will cause burns.
- Do not touch glass until cooled.
- Never allow children to touch glass.

**INSTALLER: LEAVE THIS MANUAL WITH THE APPLIANCE.
CONSUMER: RETAIN THIS MANUAL FOR FUTURE REFERENCE.**



N415-0346-AU FEB 23.21

Wolf Steel Ltd.
214 Bayview Drive,
Barrie, Ontario, CANADA L4N 4Y8
grills@napoleon.com

www.napoleon.com

Napoleon President's 3 Year Limited Warranty



NAPOLEON products are designed with superior components and materials, and are assembled by trained craftsmen who take great pride in their work. This product has been thoroughly inspected by a qualified technician before packaging and shipping to ensure that you, the customer, receive the quality product you expect from NAPOLEON.

NAPOLEON warrants that components in your new NAPOLEON product will be free from defects in material and workmanship from the date of purchase, for the following period:

Aluminum table top and pedestal	3 years
Stainless steel housing.....	3 years
Stainless steel burner assembly	3 years
All other parts	2 years

* Conditions and Limitations

This Limited Warranty creates a warranty period as specified in the aforementioned table, for any product purchased through an authorized NAPOLEON dealer, and entitles the original purchaser to the specified coverage in respect of any component replaced within the warranty period, either by NAPOLEON or an authorized NAPOLEON dealer, to replace a component of such product that has failed in normal private use as a result of a manufacturing defect. The "50% off" indicated in the table means the component is made available to the purchaser at a 50% discount off the regular retail price of the component for the period indicated. This Limited Warranty does not cover accessories or bonus items.

For greater certainty, "normal private use" of a product means that the product: has been installed by a licensed, authorized service technician or contractor, in accordance with the installation instructions included with the product and all local and national building and fire codes; has been properly maintained; and has not been used as a communal amenity or in a commercial application.

Similarly, "failure" does not include: over-firing, blow outs caused by environmental conditions such as strong winds or inadequate ventilation, scratches, dents, corrosion, deterioration of painted and plated finishes, discoloration caused by heat, abrasive or chemical cleaners or UV exposure, chipping of porcelain enameled parts, or damages caused by misuse, accident, hail, grease fires, lack of maintenance, hostile environments such as salt or chlorine, alterations, abuse, neglect or parts installed from other manufacturers.

Should deterioration of parts occur to the degree of non-performance (rusted through or burnt through) within the duration of the warranted coverage, a replacement part will be provided. The replacement component is the sole responsibility of NAPOLEON defined by this Limited Warranty; in no event will NAPOLEON be responsible for installation, labor or any other costs or expenses related to the re-installation of a warranted part, for any incidental, consequential, or indirect damages or for any transportation charges, labor costs or export duties.

This Limited Warranty is provided in addition to any rights afforded to you by local laws. Accordingly, this Limited Warranty imposes no obligation upon NAPOLEON to keep parts in stock. Based on the availability of parts, NAPOLEON may at its discretion discharge all obligations by providing a customer a prorated credit towards a new product. After the first year, with respect to this Limited Warranty NAPOLEON may, at its discretion, fully discharge all obligations with respect to this warranty by refunding to the original warranted purchaser the wholesale price of any warranted but defective part(s).

The bill of sale or copy will be required together with a serial number and a model number when making any warranty claims from NAPOLEON. NAPOLEON reserves the right to have its representative inspect any product or part prior to honoring any warranty claim. You must contact NAPOLEON Customer Service or an authorized NAPOLEON dealer to obtain the benefit of the warranty coverage.



www.napoleon.com



WARNING! For Outdoor Use Only.

WARNING! Improper installation, adjustment, alteration, service or maintenance can cause injury or property damage. Read the installation, operating and maintenance instructions thoroughly before installing or servicing this gas appliance.

Safe Operating Practices

- This appliance is hot when operating and can cause severe burns if contacted.
- This appliance is to be protected from rain.
- Installation and repair should be done by a qualified service person. The appliance should be inspected before use and at least annually by a qualified service person. More frequent cleaning may be required as necessary. It is imperative the control compartment, burners and circulating air passageways of the appliance be kept clean.
- Do not operate appliance before reading and understanding operating instructions. Failure to operate appliance according to operating instructions could cause fire or injury.
- Risk of burns. The appliance should be turned off and cooled before servicing.
- Do not install damaged, incomplete or substitute components.
- Young children should be carefully supervised when they are in the area of the appliance. Toddlers, young children and others may be susceptible to accidental contact burns. A physical barrier is recommended if there are at risk individuals in the vicinity. To restrict access to an appliance or stove, install an adjustable safety gate to keep toddlers, young children and other at risk individuals out of the vicinity and away from hot surfaces.
- Ensure you have incorporated adequate safety measures to protect infants/toddlers from touching hot surfaces.
- Under no circumstances should this appliance be modified.
- Keep the packaging material out of reach of children and dispose of the material in a safe manner. As with all plastic bags, these are not toys and should be kept away from children and infants.
- Do not leave appliance unattended when in use.
- For outdoor use only.
- This appliance must not be used for cooking.
- This unit is not for use with solid fuel.
- Improper installation, adjustment, alteration, service, or maintenance can cause injury or property damage. Read the installation, operating and maintenance instructions thoroughly before installing or servicing this equipment.
- This appliance shall be used only outdoors in a well-ventilated space and shall not be used inside a building, garage, or any other enclosed area.
- Cylinders must be stored outdoors in a well-ventilated area out of reach of children. Disconnected cylinders must have threaded valve plugs tightly installed and must not be stored in a building, garage or any other enclosed area.
- If it is evident there is excessive abrasion or wear, or the hose is cut, it must be replaced prior to the appliance being put into operation.
- Clothing or other flammable materials should not be hung from the appliance or placed on or near the appliance.
- Any guard or other protective device removed for servicing the appliance must be replaced prior to operating the appliance.
- Inspect the fuel supply connection for signs of leakage (including the hose for lp models) before each use of the appliance.
- The lp gas cylinder supply system must be arranged for vapor withdrawal.
- To extend the life of your appliance, protect and cover it from the elements when not in use.
- Not suitable for installation in a marine vessel or recreational vehicle.
- Remove all transit protection before installation.
- Certain materials or items, when stored under or near the appliance, will be subjected to radiant heat and could be seriously damaged.
- Note: not intended for fireplace insert.
- The glass guard is fitted to this appliance to reduce the risk of fire or injury from burns and no part of it should be permanently removed. For protection of young children or the infirm, a secondary guard is required.
- Do not modify this appliance.
- Primarily a decorative appliance - not certified as a space heater.



CAUTION! During unpacking and assembly we recommended you wear work gloves and safety glasses for your protection. Although we make every effort to make the assembly process as problem free and safe as possible, it is characteristic of fabricated steel parts that the edges and corners might be sharp and could cause cuts if handled incorrectly.

Getting Started

1. Remove all of the parts from the carton. Use the parts list to ensure all necessary parts are included.
2. Do not destroy packaging until the appliance has been installed and operates to your satisfaction.
3. Choose a location that meets the clearance to combustibles as outlined in this manual. Take into consideration the need for clear and easy access to the on/off valve AFTER the appliance is installed and connected to the gas supply in order to safely turn off the burner.
4. **Most stainless steel parts are supplied with a protective plastic coating that must be removed prior to using the appliance. The protective coating has been removed from some of the parts during the manufacturing process and may have left behind a residue that can be perceived as scratches or blemishes. To remove the residue, vigorously wipe the stainless steel in the same direction as the grain.**
5. Read and follow all instructions in this manual before installing or servicing this gas appliance.



If you have any questions about assembly or appliance operation, or if there are damaged or missing parts please call our Customer Solutions Department at 1-866-820-8686 between 9 AM and 5 PM (Eastern Standard Time).



WARNING! This appliance is designed for non-combustible enclosures only, and must be installed and serviced by a qualified installer to local codes.

General Information

This appliance shall be installed by authorised persons only and in accordance with these installation instructions, AS5601.1, local gas fitting regulations, municipal building codes, electrical wiring regulations, local water supply regulations and any other statutory regulations.

The appliance and its individual shut off valve must be disconnected from the gas supply piping system during any pressure testing of the system at test pressures in excess of 1/2 psig (3.5kPa).

This appliance must be isolated from the gas supply piping system by closing its individual manual shut off valve during any pressure testing of the gas supply piping system at test pressures equal to or less than 1/2 psig (3.5kPa).

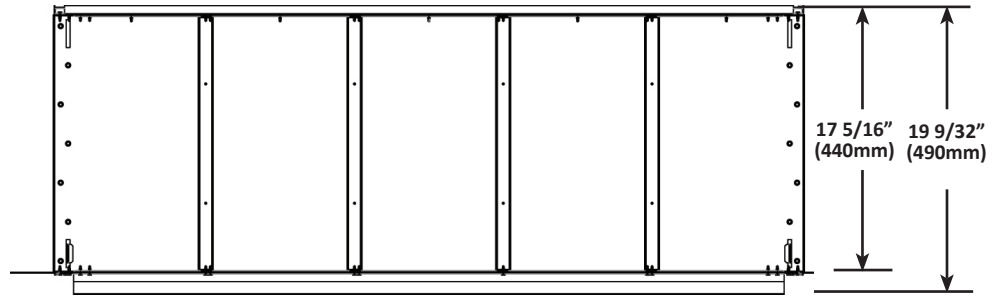
- Always keep the appliance area clear and free from combustible materials, gasoline, and other flammable vapours and liquids.
- Do not locate appliance where it can get excessively wet.
- Do not use this appliance if any part has been under water. Immediately call a qualified service technician to inspect the unit and to replace any part of the control system and any gas control, which has been underwater.

INPUT				
MODEL	FUEL	ORIFICE SIZE	MAX. INPUT MJ/Hr	TEST POINT GAS PRESSURE
GSS48	Natural Gas	#25 (3.8mm)	55	1.0 kPa
GSS48	Propane Gas	#43 (2.26mm)	65	2.75 kPa

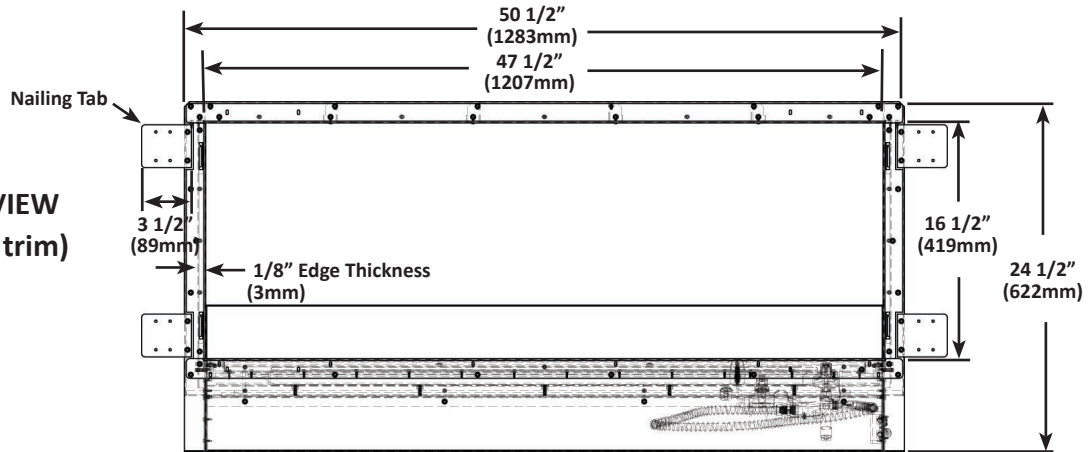
Dimensions

GSS48

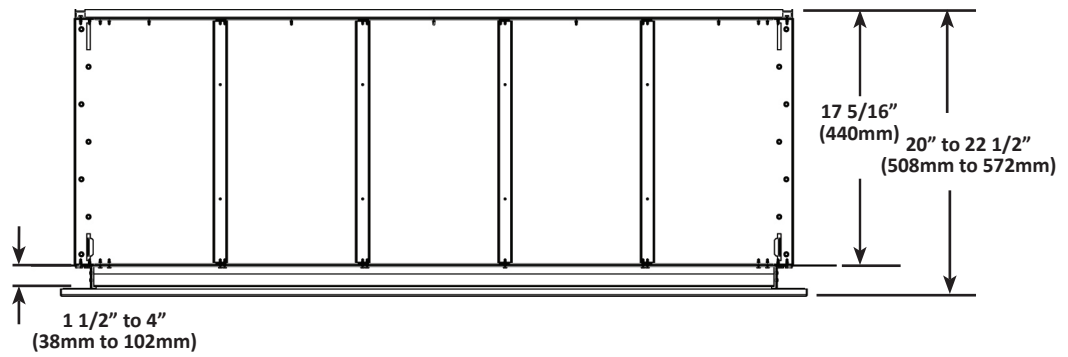
TOP VIEW
(without trim)



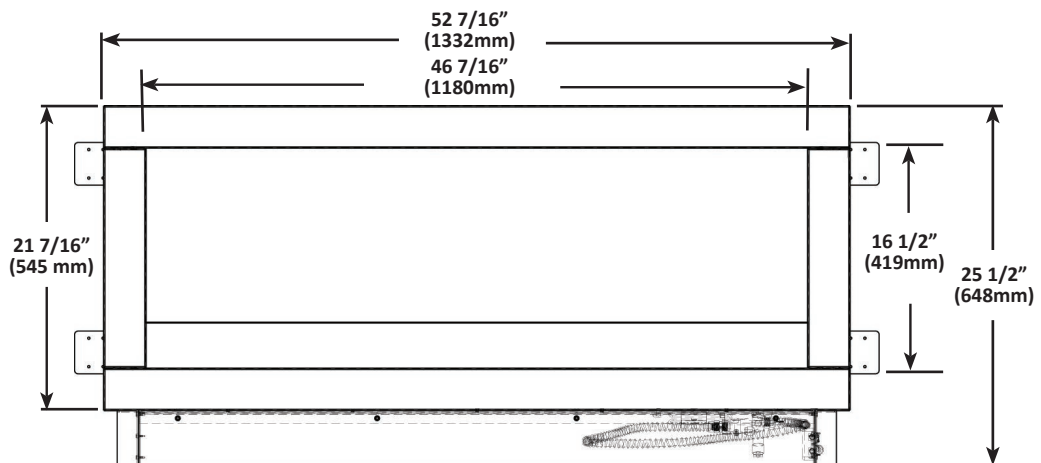
FRONT VIEW
(without trim)



TOP VIEW
(with trim)



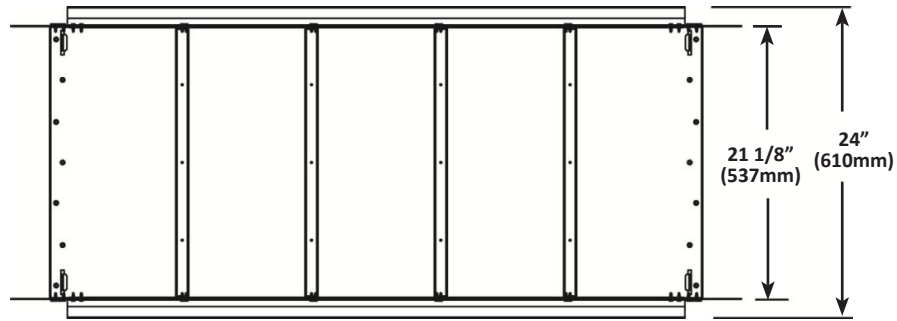
FRONT VIEW
(with trim)



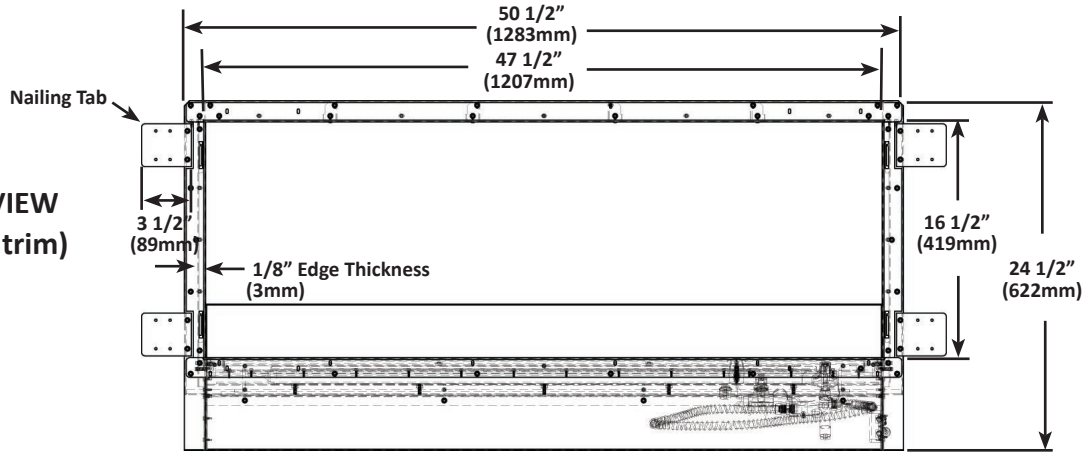
Dimensions

GSS48ST

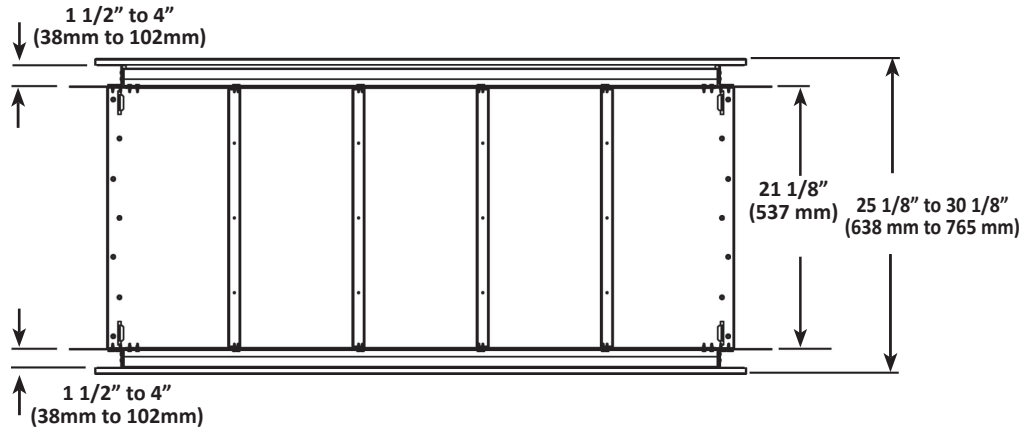
**TOP VIEW
(without trim)**



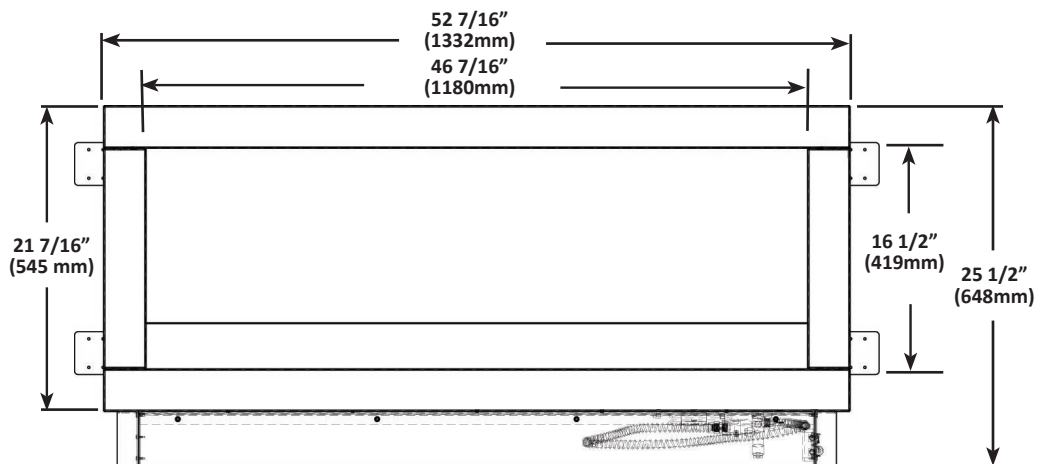
**FRONT VIEW
(without trim)**



**TOP VIEW
(with trim)**



**FRONT VIEW
(with trim)**



Location

This appliance should be covered or protected in wet weather. Not suitable for use in wet or windy weather.

Locating Your Outdoor Appliance

It is important when selecting a location for your appliance to ensure clearances to adjacent combustibles are met. This appliance is intended for installation on an outdoor patio or in your yard. It is highly recommended that this appliance be installed in a sheltered area (following the guidelines outlined below). Direct wind will cause an erratic flame and possible burner outage. An erratic flame could also lead to excessive carboning (black soot), this condition is not a safety issue but is visually undesirable.

Note: When choosing a location for your appliance, care must be taken to avoid areas where excessive moisture or running water may be a problem.

This appliance shall only be used in an above ground open-air situation with natural ventilation, without stagnant areas, where gas leakage and products of combustion are rapidly dispersed by wind and natural convection.

Any enclosure in which the appliance is used shall comply with one of the following:

An enclosure with walls on all sides, but at least one permanent opening at ground level and no overhead cover.

Within a partial enclosure that includes an overhead cover and no more than two walls.

Within a partial enclosure that includes an overhead cover and more than two walls, the following shall apply:

- at least 25% of the total wall area is completely open, and
- at least 30% of the remaining wall area is open and unrestricted.

In the case of balconies, at least 20% of the total wall area shall be and remain open and unrestricted.

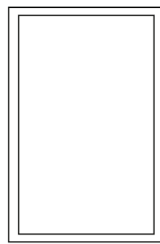
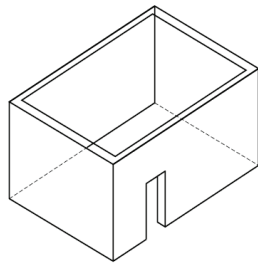


FIGURE E1—OUTDOOR AREA—EXAMPLE 1

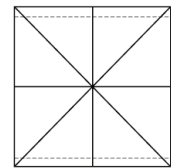
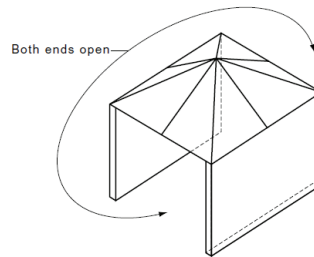


FIGURE E3—OUTDOOR AREA—EXAMPLE 3

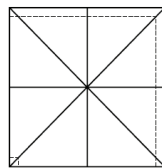
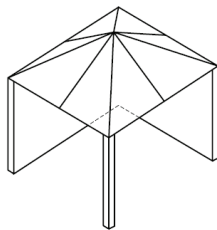
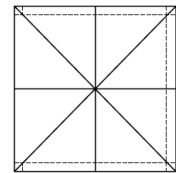
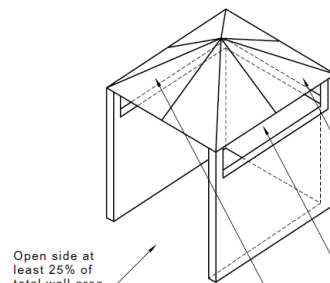
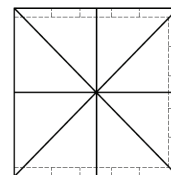
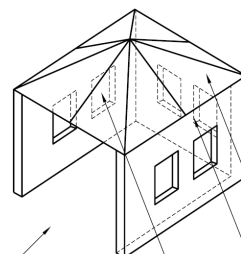


FIGURE E2—OUTDOOR AREA—EXAMPLE 2



30 percent or more in tot of the remaining wall area is open and unrestricted



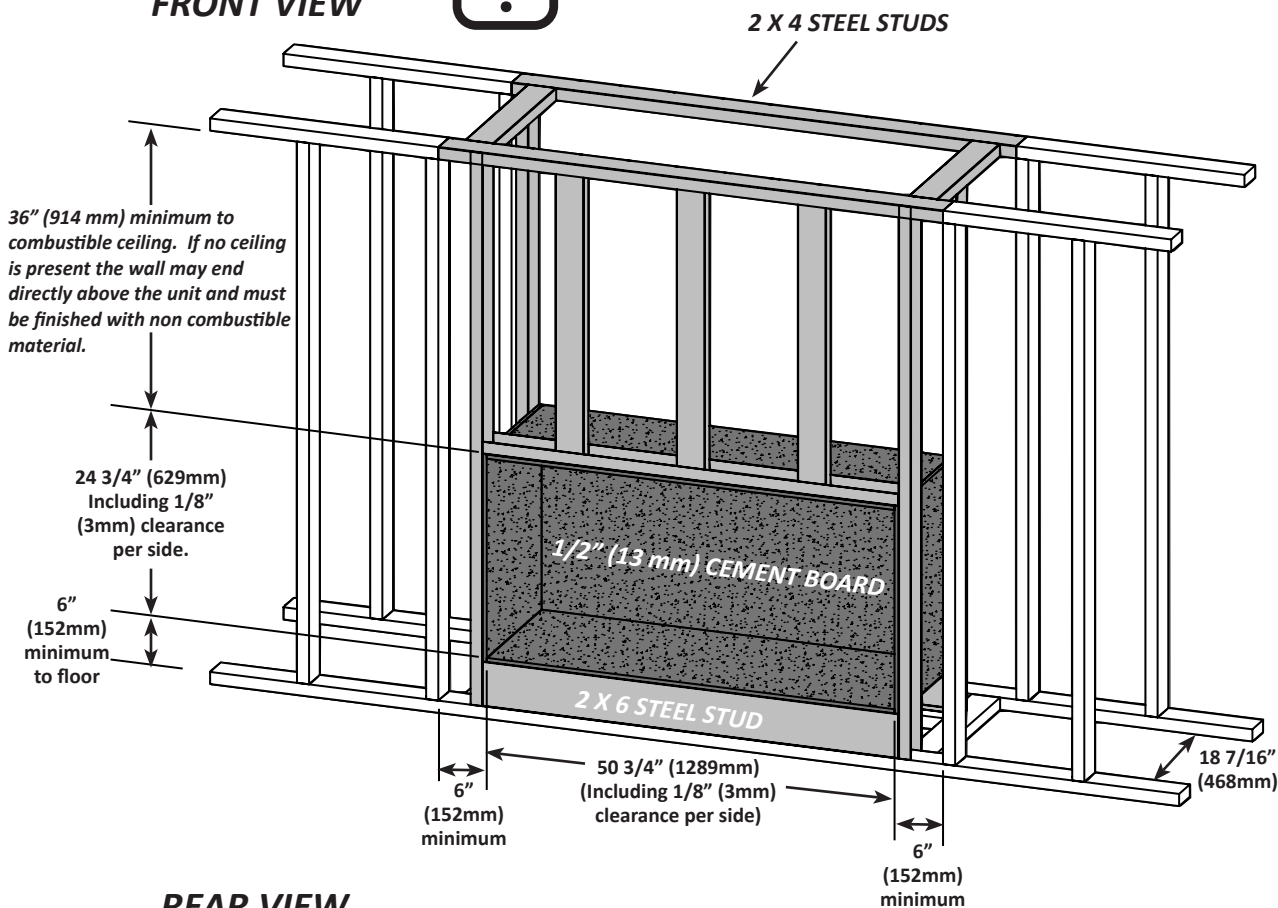
Open side at least 25% of total wall area

30 percent or more in total of the remaining wall area is open and unrestricted

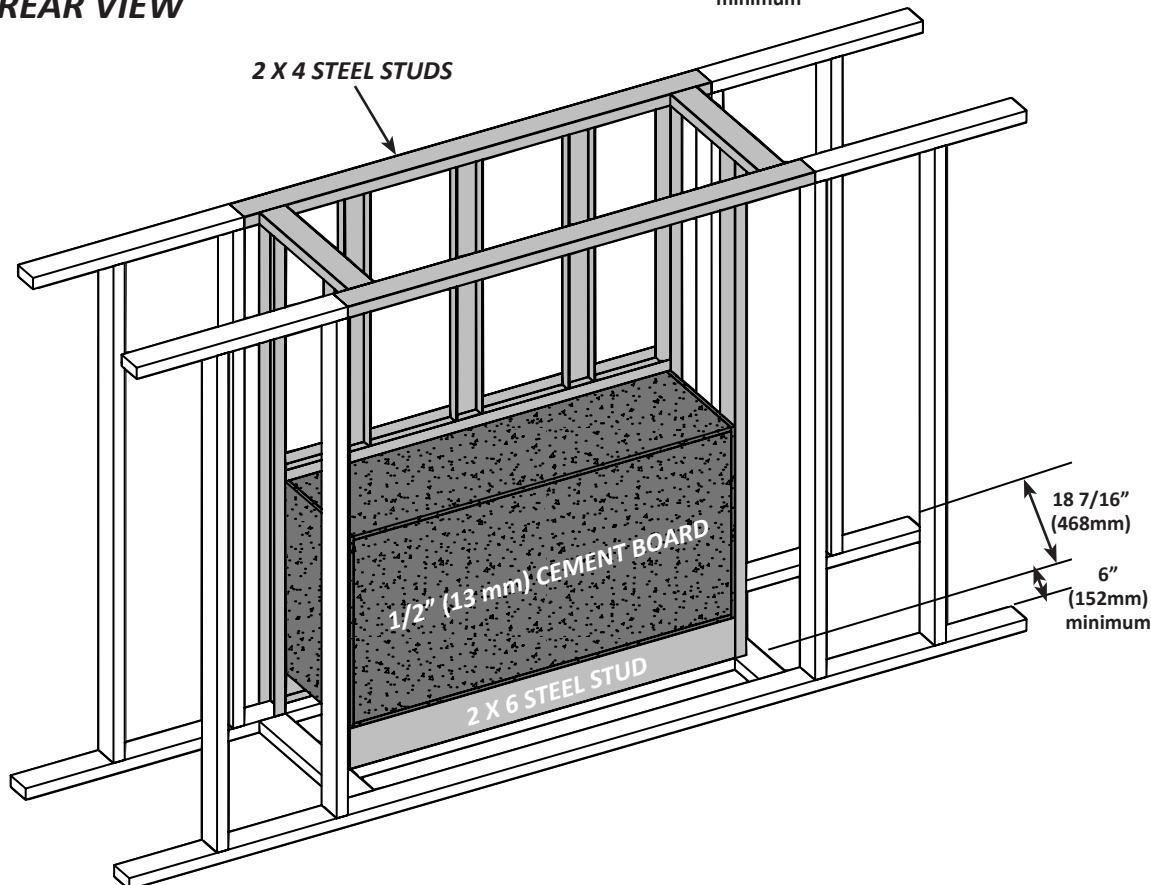
Framing FRONT VIEW



NOTE! Minimum clearance to the ceiling does not apply when the unit is installed with no over head construction.



REAR VIEW

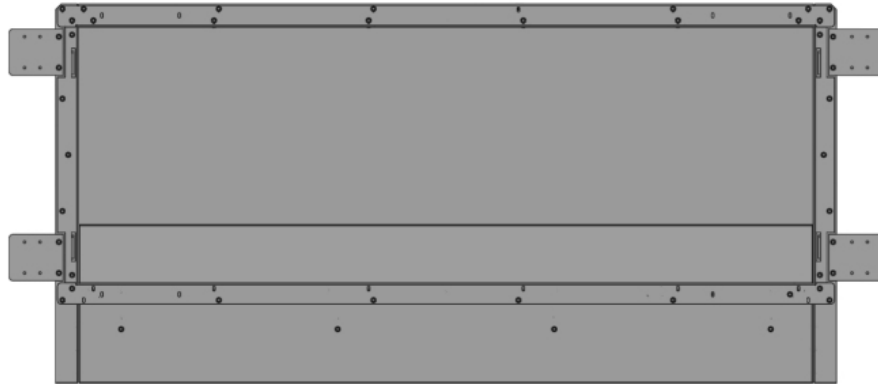


Installation

TO BE INSTALLED ONLY BY AN AUTHORIZED PERSON. THIS APPLIANCE SHALL NOT BE INSTALLED OR USED INDOORS.

Nailing Tabs

To install the appliance face flush with the finished surface, position the framework to accommodate the thickness of the finished surface. Screw the nailing tabs to either side of the appliance and secure to the 2 x 4 steel framing. The tabs will facilitate the installation of either a 1/2" (13mm) or 3/4" (19mm) finished surface thickness.

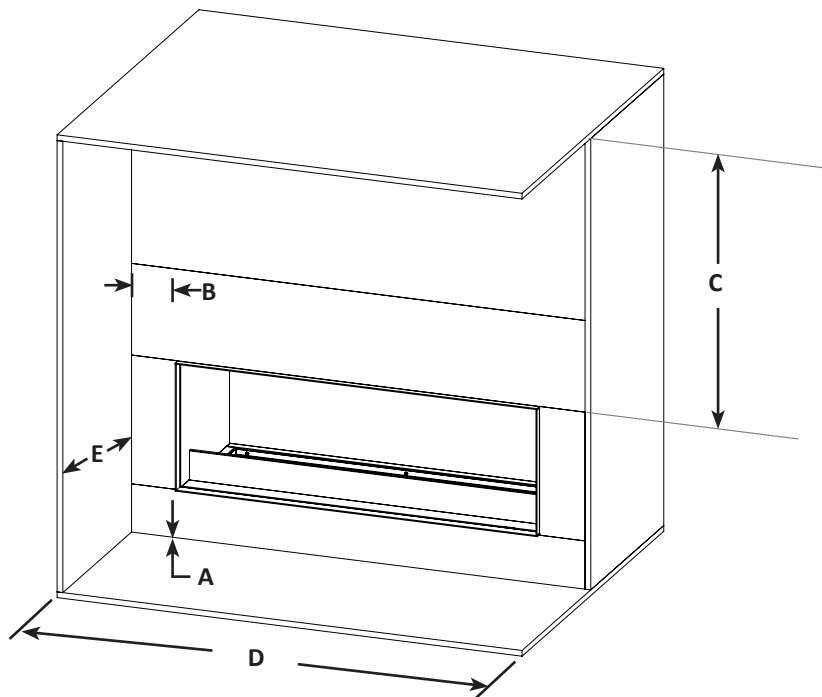


Clearance to Combustibles



WARNING! Minimum clearance to combustibles must be maintained or a serious fire hazard could result.

Minimum Clearance To Combustibles		
	Clearance	Dimension
A	From Ground or other surface	6" (152mm)
B	From Sides	6" (152mm)
C	From Ceiling	36" (915mm)
D	Alcove Width	60" (1524mm) Minimum
E	Alcove Depth	24" (610mm) Maximum



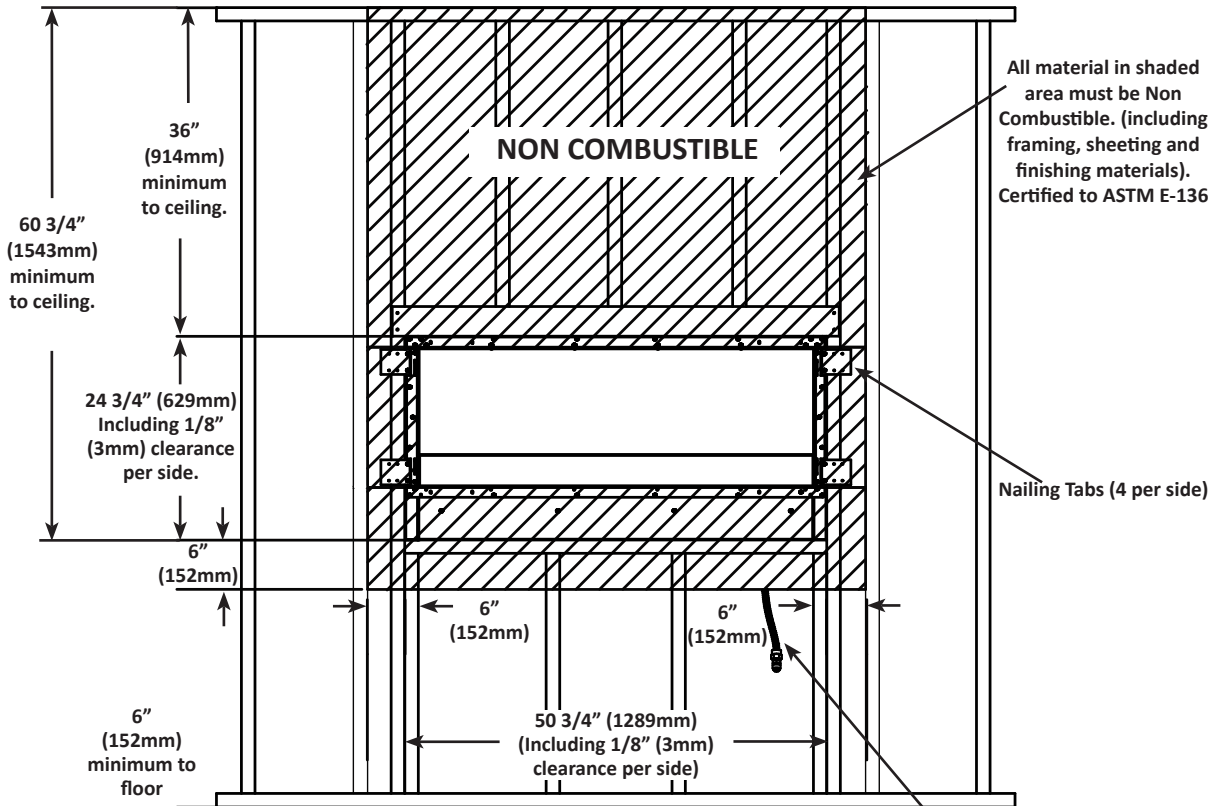
GSS48 (ONE SIDED) Minimum Enclosure Clearances



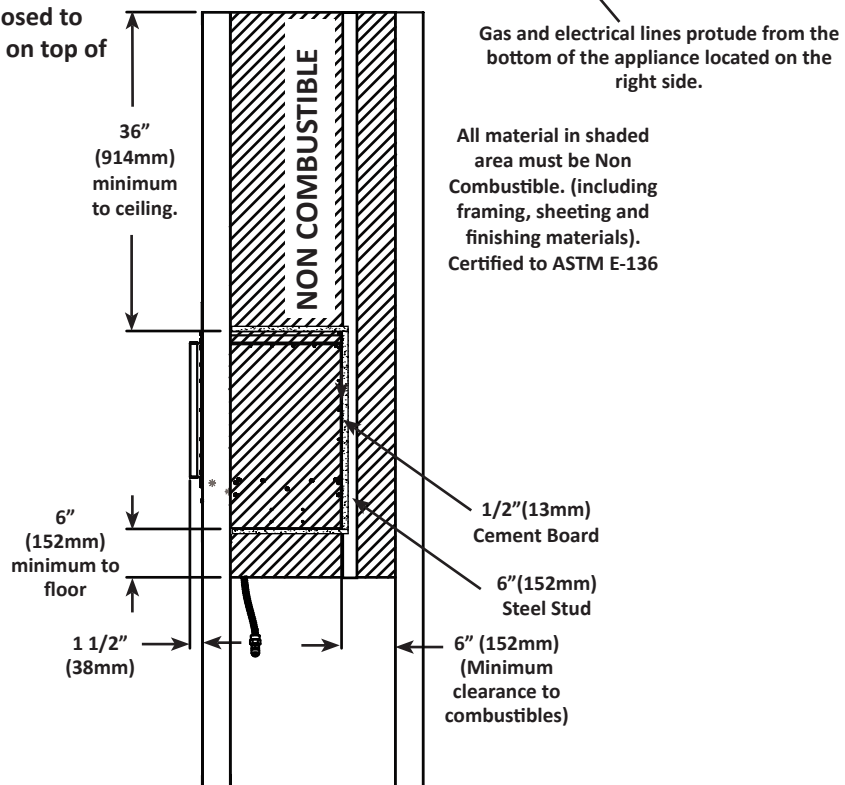
WARNING! Use only non-combustible materials (certified to ASTM E-136) such as steel studs, cement board, ceramic tile, marble, paint etc. When adding finishing materials to the appliance. Do not use wood or drywall.



WARNING! You must have clear and easy access to the on/off valve AFTER the appliance is installed and connected to the gas supply in order to safely turn off the burner.



NOTE! Ensure top of cabinet is closed to prevent rain and debris from falling on top of the appliance.



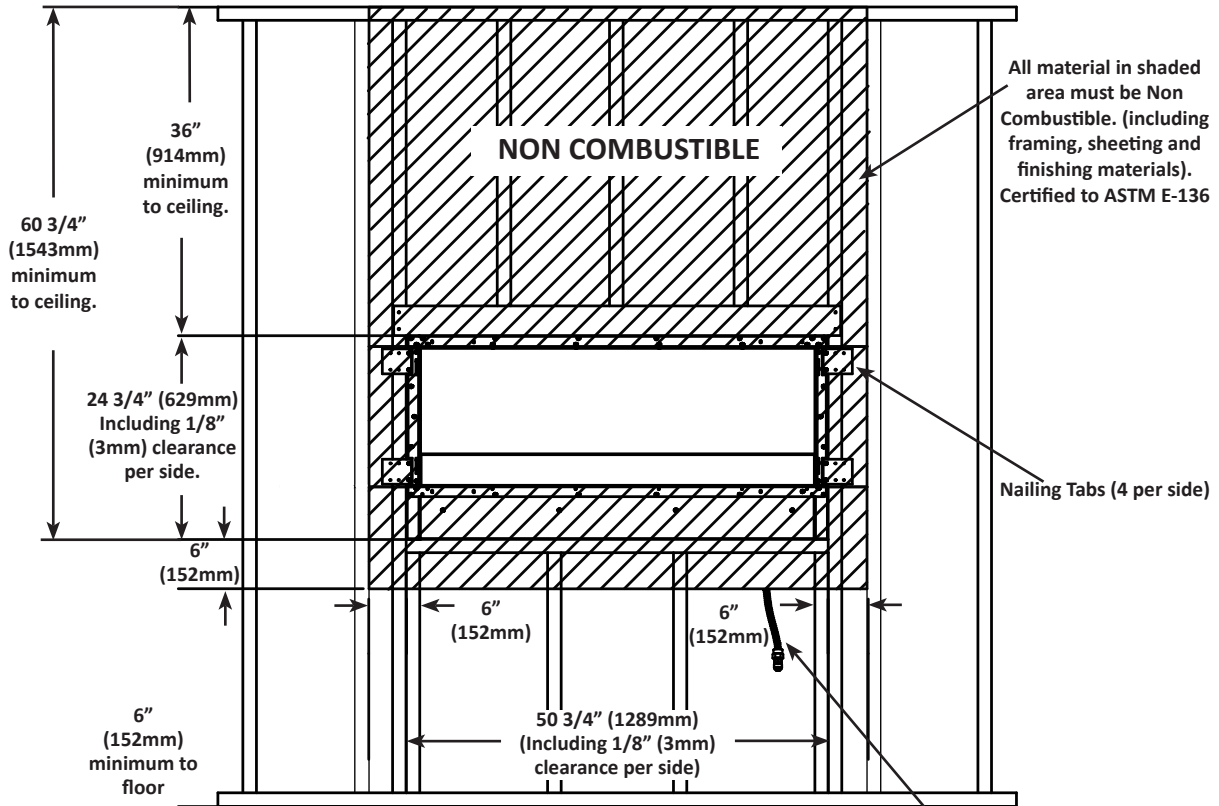
GSS48ST (SEE THROUGH) Minimum Enclosure Clearances



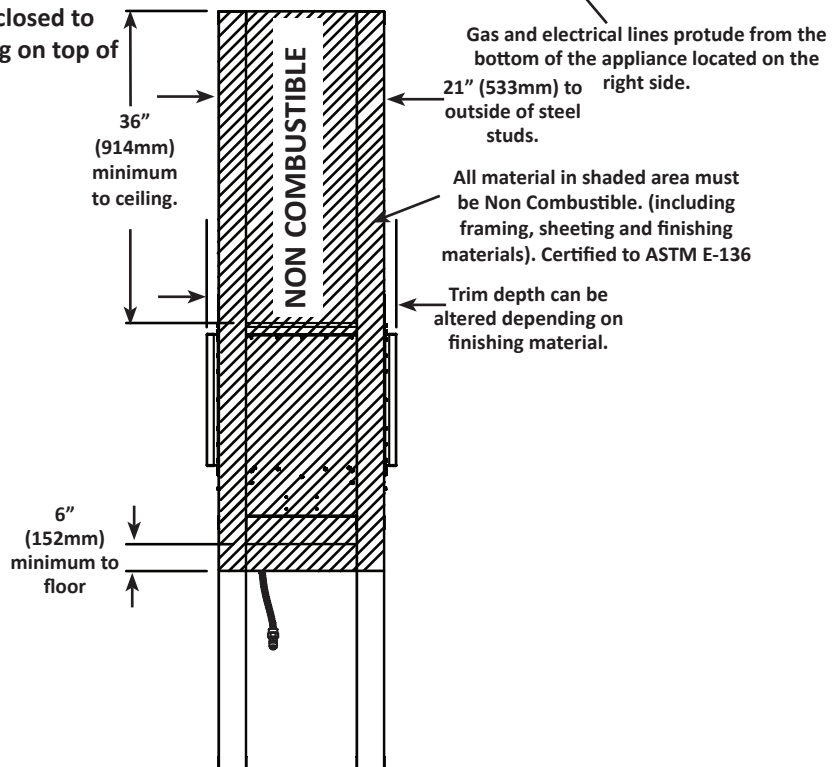
WARNING! Use only non-combustible materials (certified to ASTM E-136) such as steel studs, cement board, ceramic tile, marble, paint etc. When adding finishing materials to the appliance. Do not use wood or drywall.



WARNING! You must have clear and easy access to the on/off valve AFTER the appliance is installed and connected to the gas supply in order to safely turn off the burner.



NOTE! Ensure top of cabinet is closed to prevent rain and debris from falling on top of the appliance.





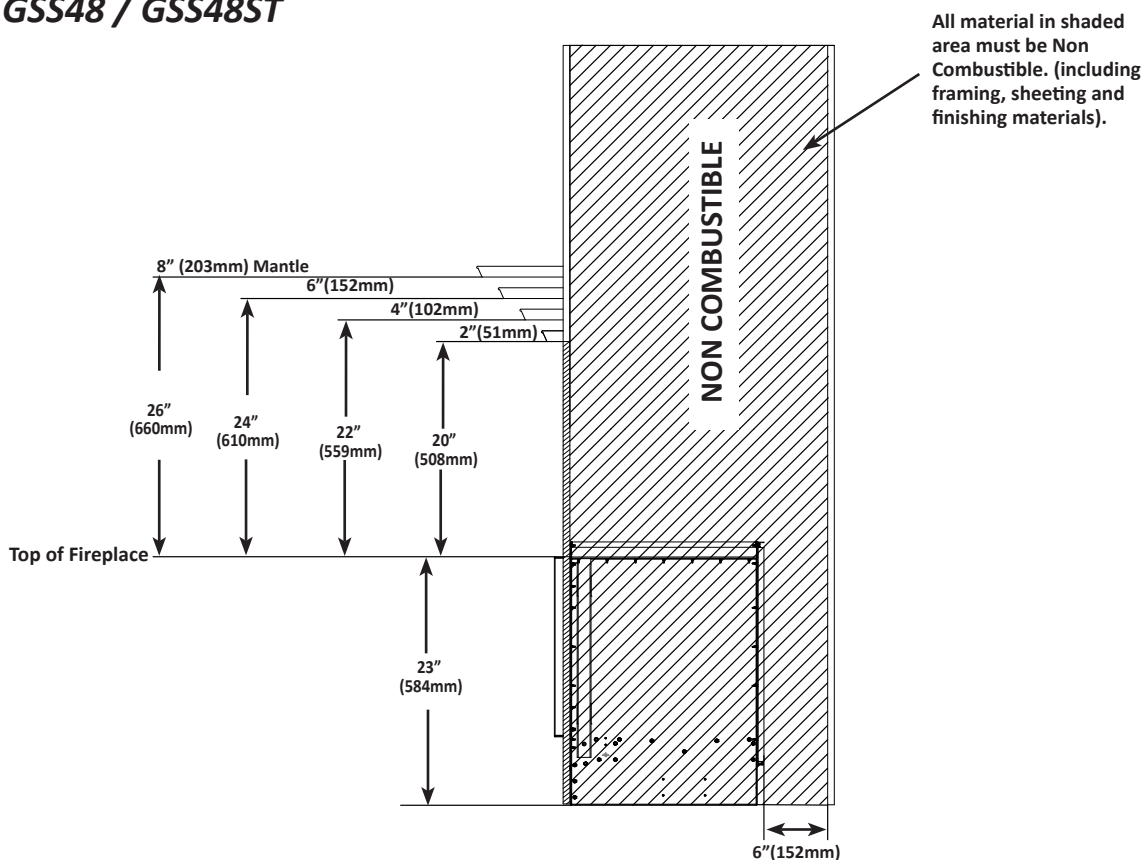
Minimum Mantel Clearances

WARNING! Mantel temperatures will rise above normal temperatures and may be hot to the touch.

We recommend that all mantels are made from non-combustible material. If using combustible materials, follow the chart below.

Note: When using paint or lacquer to finish the mantel, the paint or lacquer must be heat resistant to prevent discolouration.

GSS48 / GSS48ST



Drain Installation (Recommended)

Although this fireplace is designed to operate outdoors safely, rain and other sources of moisture may enter the fireplace area, which will cause water to collect inside the base of the unit within the fireplace enclosure. When choosing a location for your fireplace, care must be taken to avoid areas where excessive moisture or running water may be a problem.

To prevent moisture or water from collecting underneath the fireplace, the builder must provide a means to drain water from under the fireplace, before positioning the fireplace in its location. It is recommended that a sealed corrosion resistant drain pan with provisions for drainage be positioned underneath the fireplace. The drain pan can be constructed from corrosion resistant metal, or other suitable materials such as an ice and water shield membrane. A means of drainage out of the drain pan such as piping or weep holes must also be provided. A slope of 1/4" (6mm) per foot towards the drain port is recommended.

Note: When planning for the installation of the fireplace the framing height must be increased to accommodate a drain pan and any additional drainage piping required.

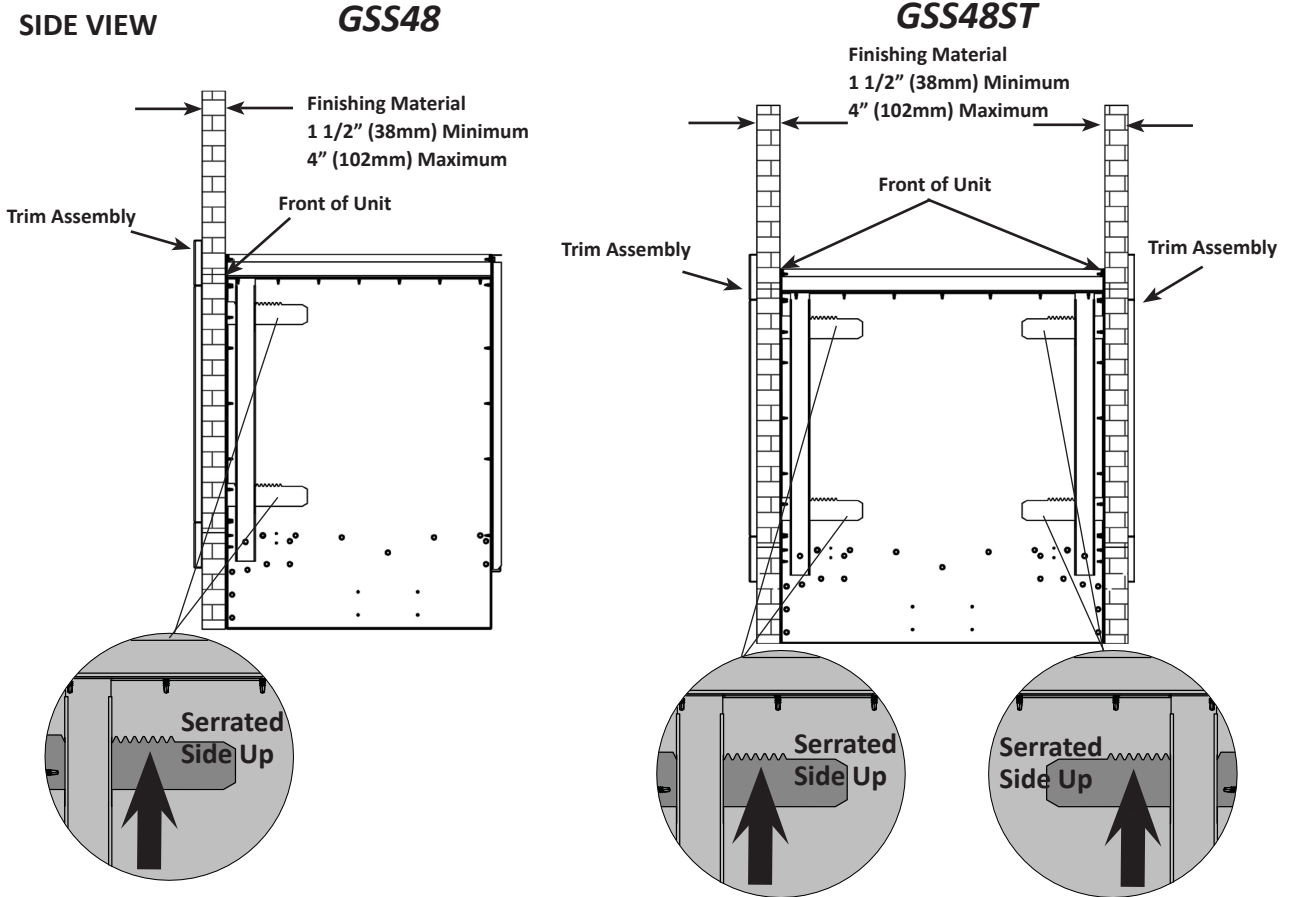
Note: The fireplace must be installed on a level surface to ensure proper drainage.

Trim Installation (Optional)

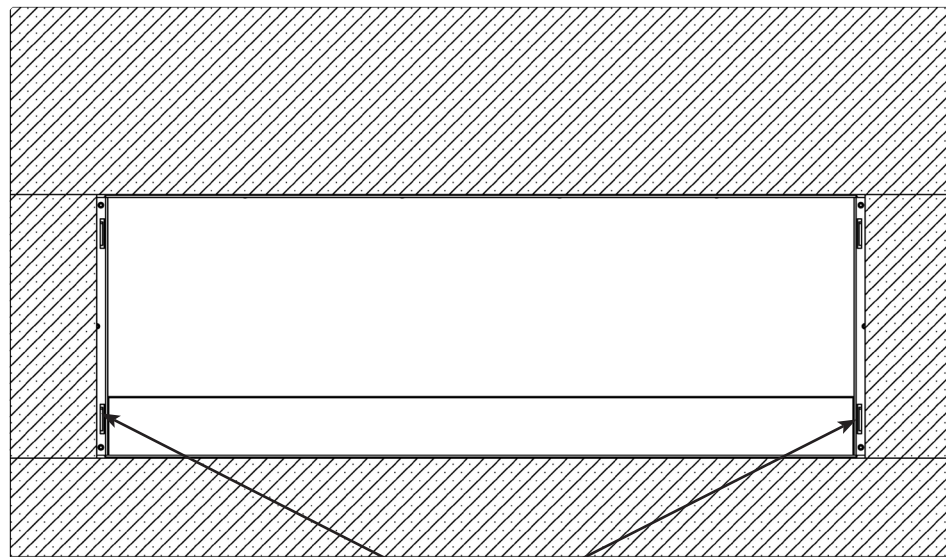


NOTE! Most stainless steel parts are supplied with a protective plastic coating that must be removed prior to using the appliance.

The trim is designed to work with facing material that protrude between 1 1/2" (38mm) to 4" (102mm) from the front of the appliance.



FRONT VIEW

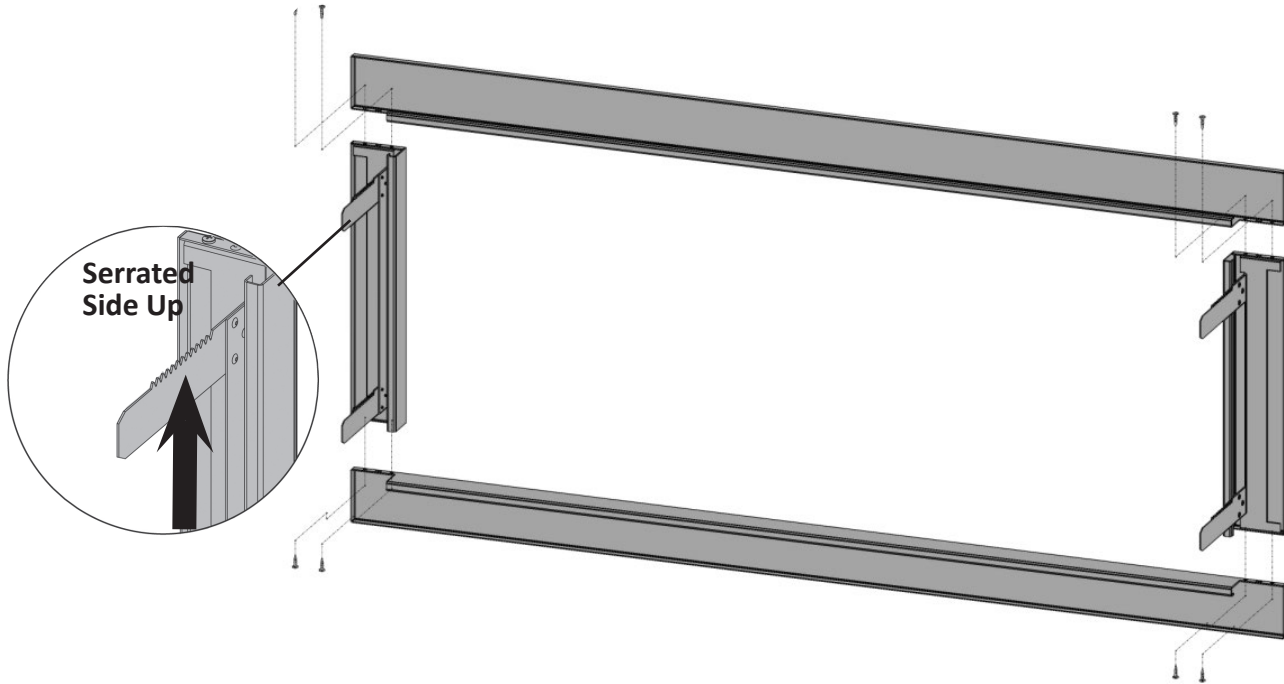


WARNING! When installing the optional trim kit the installer must leave 5/8" (16mm) gap in cement board and finishing materials on both sides to allow access to slots for frame.

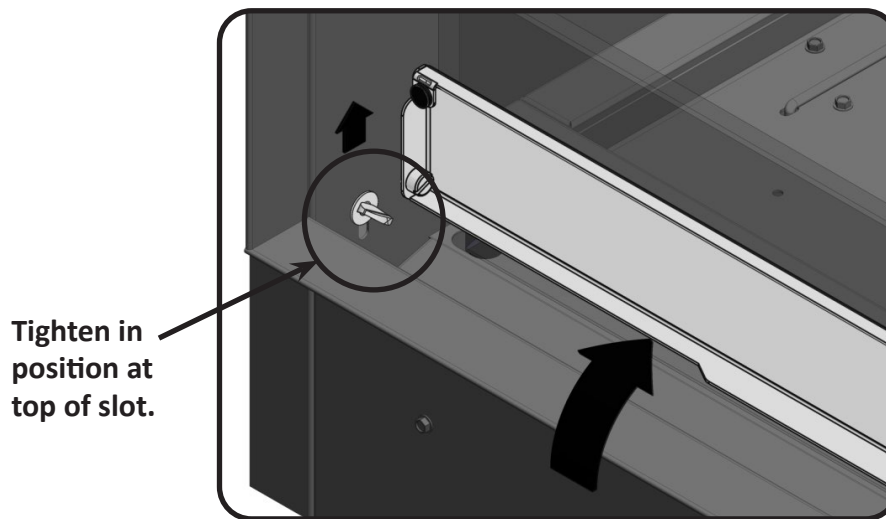


CAUTION! Assemble the trim pieces on a clean, non-abrasive surface to avoid damaging the stainless steel finish.

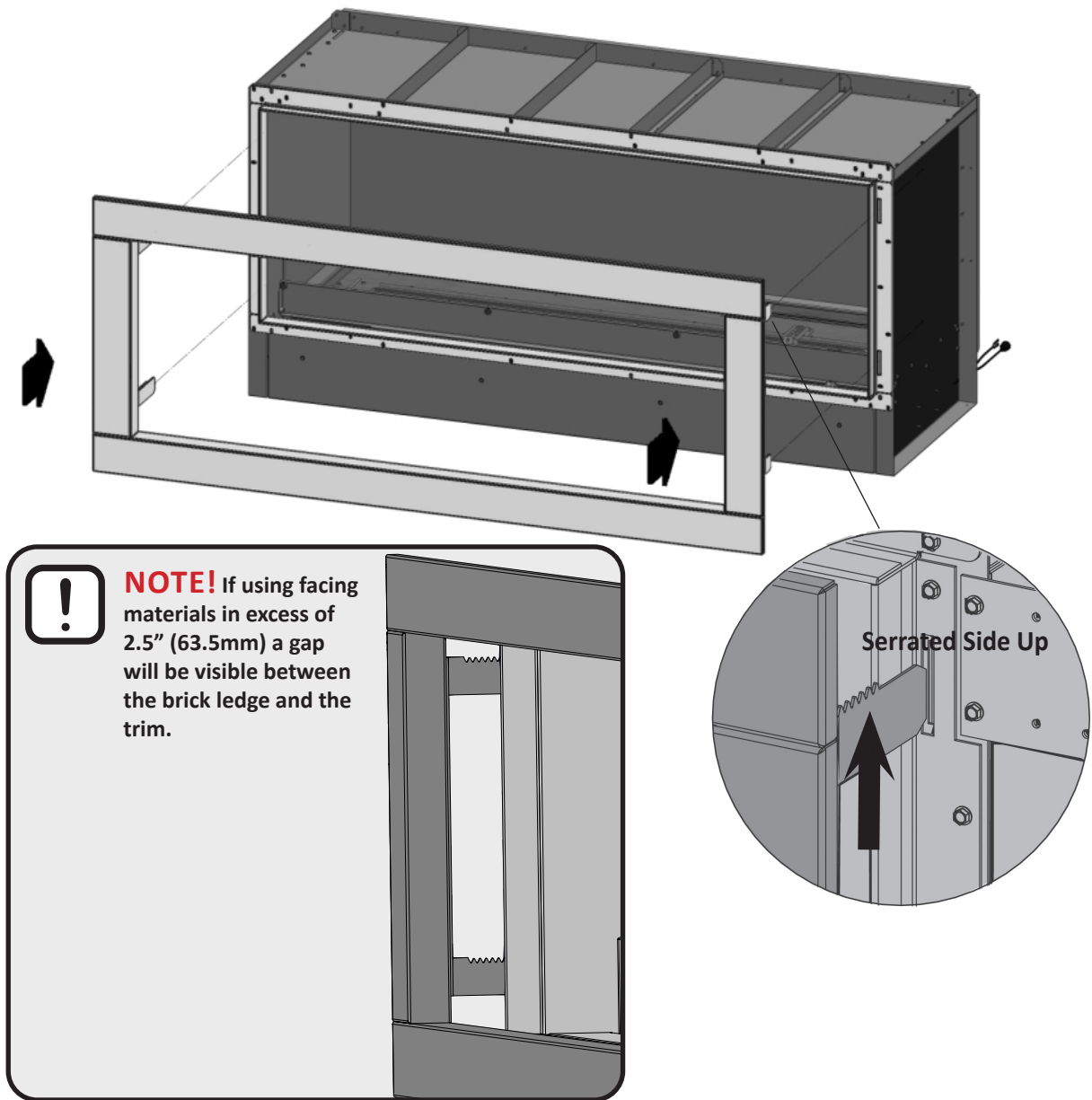
1. Peel protective coating from front trim pieces.
2. Assemble the trim pieces using (8) #8-32 x 3/8" screws as illustrated.



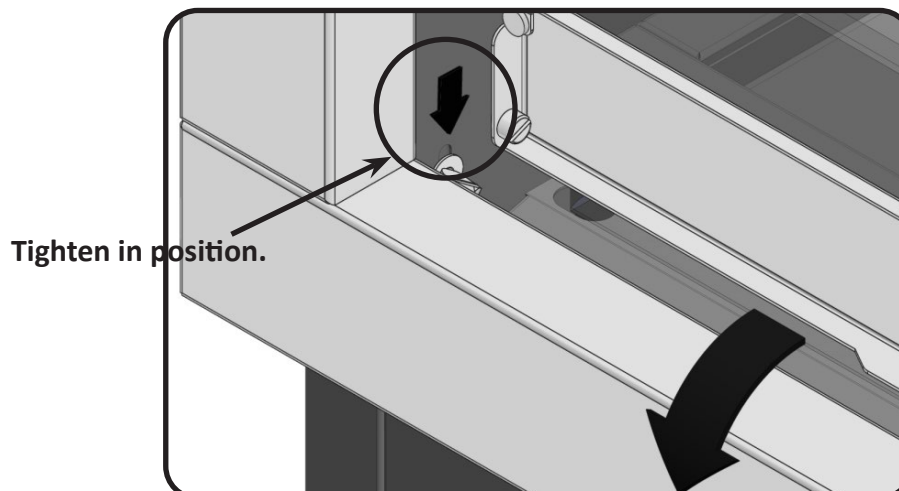
3. Open the front access door on the appliance and loosen the thumb screws (do not remove). Lift up on the thumb screws and tighten in position at top of slot.



4. Line up the brackets on the trim with the slots on the side of the base and insert as illustrated pushing until trim sits flush against front surface. The brackets have been designed with multiple slots (1/4" (6mm) increments) to accommodate different finishing materials.



5. Loosen the thumb screw and lower until it stops. Retighten thumb screw, and close the access door.



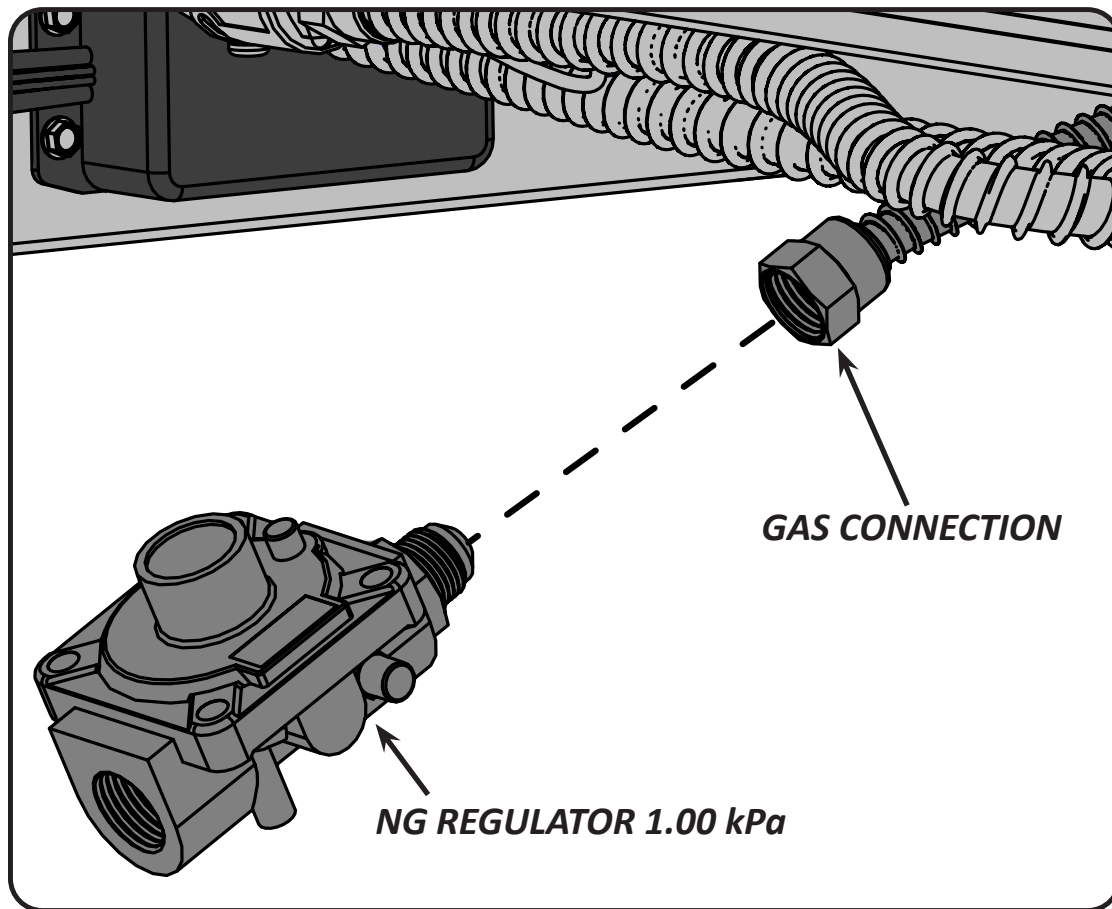
Gas Hook-Up Instructions

Natural Gas Hook-Up

The gas appliance is designed to operate with natural gas or propane gas. The piping up to the appliance is the responsibility of the installer. A flexible metal connector of 1/2 inch male is included to simplify the installation of the appliance. Ensure that the flexible connector is protected from damage. The gas supply pipe must be sufficiently sized to supply the MJ/h specified on the rating plate, based on the length of the piping run.

The Natural Gas regulator supplied with the appliance must be connected to the gas connection inlet.

Purge the gas supply line of any trapped air prior to the first firing of the appliance.



WARNING!

- Risk of fire, explosion or asphyxiation, ensure there are no ignition sources such as sparks or open flames.
- The installation must be performed by a licensed gas fitter, and all connections must be leak tested before operating the appliance.
- The gas fitter must test the operation of the appliance before leaving.
- All gas connections must be contained within the appliance when complete.
- High pressure will damage the valve, disconnect gas supply piping before testing gas line at test pressures above 1/2 psig.
- Leak test all the connections by brushing on a soap and water solution. These connections can be accessed by removing the burner. (See burner removal instructions.)



Conversion to LP (Propane) Gas

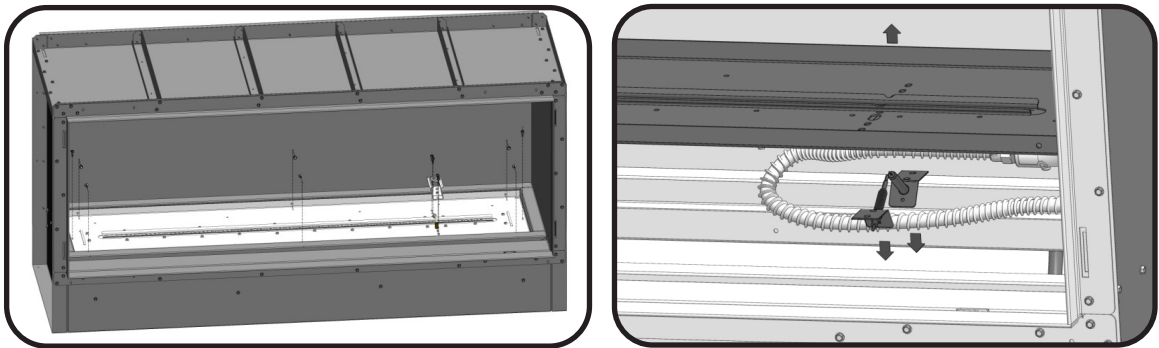
WARNING! To avoid the possibility of burns conversions should only be done when the appliance is cool. Ensure the burner is turned off. Turn the gas off at source and disconnect the appliance before beginning conversion.

WARNING! Glass embers may have sharp edges wear safety glasses and gloves when handling.

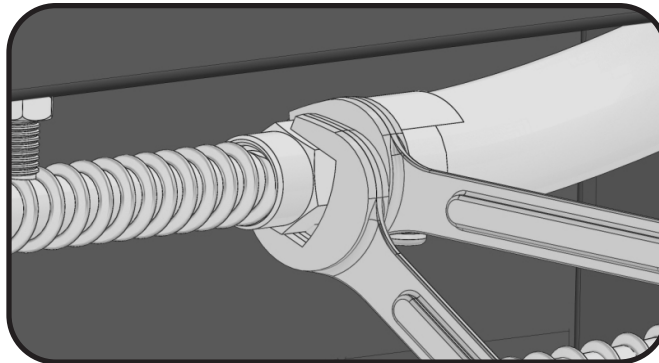
WARNING! This conversion must be performed by a licensed gas fitter, and all connections must be leak tested before operating the appliance.

Your fireplace can be easily converted to LP (Propane) Gas by following these steps:

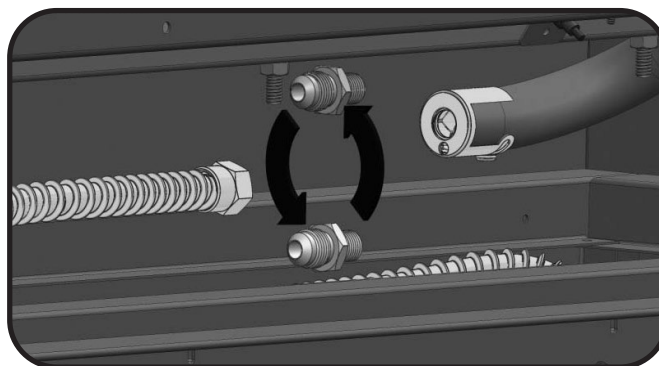
1. Remove the glass embers from the tray.
2. Remove the glass tray from the fireplace by removing the (8) screws that hold the tray in place.
3. Carefully lift the glass tray from the fireplace and set aside. Take care not to damage or kink the thermocouple wire.



4. Disconnect the stainless steel flex connector from the orifice using (2) wrenches.



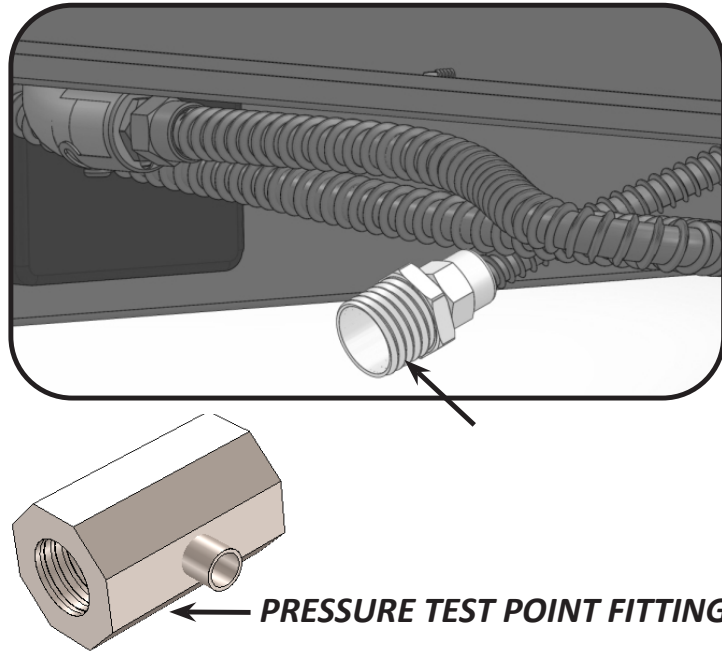
5. Unscrew the natural gas orifice from the inside of the burner as illustrated.



6. Replace the natural gas orifice with the LP (Propane) orifice supplied.

Note: The air shutter has been factory set closed for Natural Gas and must be adjusted to full open for propane.

7. Reconnect the stainless steel flex connector to the orifice and tighten using (2) wrenches.
8. Place the glass tray over the burner and fasten to the fireplace with the screws removed in step 2.
9. Remove the NG regulator (if fitted). Connect the test point to the inlet fitting.



10. Fill out the conversion label included with your fireplace and apply it to the inside of the control panel access door.
11. A leak test must be performed according to the leak testing instructions found in the manual.



WARNING! If these instructions are not followed exactly, a fire causing death or serious injury may occur.

Connection to Propane Gas Supply

This fireplace may be connected to Propane in accordance with AS5601.1.

The following section incorporates guidelines for Propane supply via LPG cylinder.

Enclosures For LP (Propane) Gas Supply Systems

If you build an enclosure for an LP gas cylinder, follow these recommended specifications. You must also follow local codes.

An enclosure for an LP-gas cylinder shall be ventilated by openings at both the upper and lower levels of the enclosure.

This shall be accomplished by one of the following:

One side of the enclosure shall be completely open;

OR

For an enclosure having four sides, a top, and a bottom:

- a) At least two ventilation openings shall be provided in the sidewall of the enclosure. The upper opening shall be located within 5 in (127 mm) of the top of the enclosure. The lower opening shall be provided at floor level of the enclosure.
- b) The bottom of the lower opening shall be 1 in (25.4 mm) or less from the floor level and the upper edge no more than 5 in (127 mm) above the floor level.
- c) Every opening shall have minimum dimensions so as to permit the entrance of a 1/8 inch (3.2mm) diameter rod.
- d) The bottom of the low level (set of) opening(s) shall be at the enclosure base with the upper edge no more than 125mm above the base.

Ventilation openings in sidewalls shall not communicate directly with other enclosures of the appliance.

Cylinder valves shall be readily accessible for hand operation. A door on the enclosure to gain access to the cylinder valve is acceptable, provided it is non-locking and can be opened without the use of tools. Designs using a cover to gain access to the cylinder and cylinder valve shall be provided with handles or equivalent at a minimum of 180 degrees apart to facilitate lifting of the cover.

There shall be a minimum clearance of 2 inches (50.8mm) between the lower surface of the floor of the LP gas supply cylinder enclosure and the ground.

The design of the enclosure shall be such that (1) the LP gas supply cylinder(s) can be connected, disconnected and the connections inspected and tested outside the cylinder enclosure; and (2) those connections which could be disturbed when installing the cylinder(s) in the enclosure can be leak tested inside the enclosure.

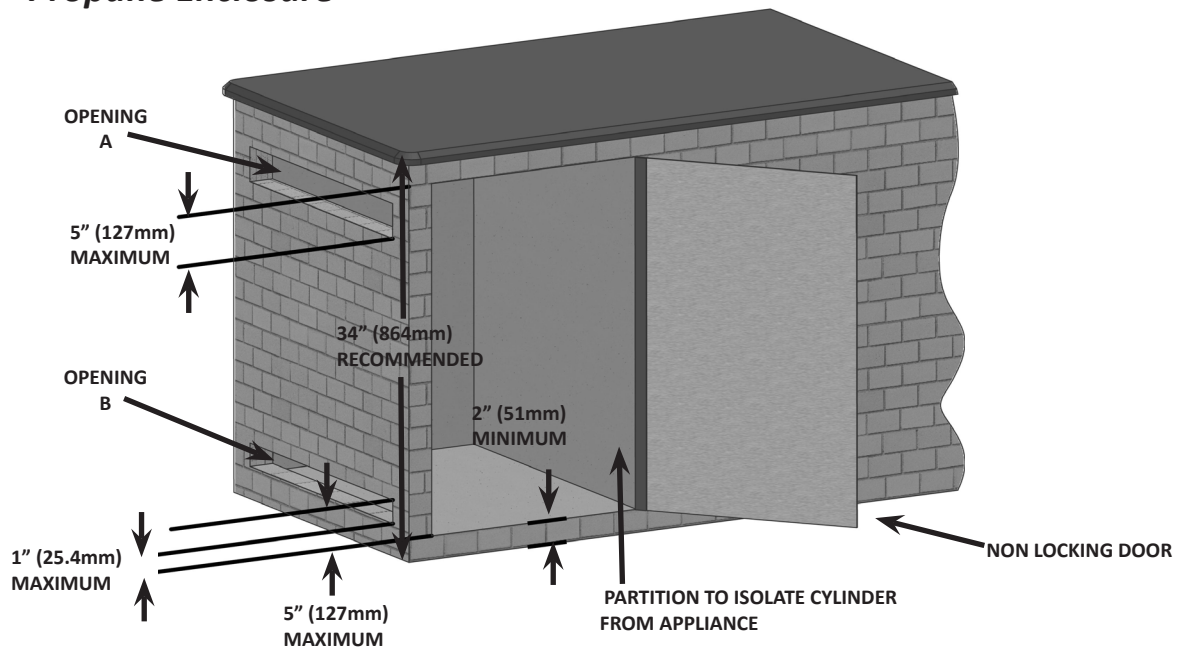
The enclosure for the LP-gas cylinder shall isolate the cylinder from the burner compartment to provide:

- a. Shielding from radiation;
- b. A flame barrier; and
- c. Protection from foreign material.

Be certain to mount or set the LP gas cylinder on a flat surface and restrain it using a cylinder retaining bracket to prevent it from tipping.

The LPG supply must incorporate an approved pressure regulator with 2.75kPa outlet pressure.

Propane Enclosure



CYLINDER SIZE	OPENING A AREA	OPENING B AREA
9kg	100cm ²	60cm ²

Cylinder Connection: Ensure the gas regulator hose is kink free. Remove the cap or plug from the cylinder fuel valve. Insert the POL regulator nipple onto the Cylinder valve. Tighten anti-clockwise. Leak test all joints prior to using the appliance. A leak test must be performed annually and each time a cylinder is hooked up or if a part of the gas system is replaced.

If this appliance is to be connected directly to a house propane gas supply line, ensure a 2.75kPa regulator is incorporated into the gas system.



CAUTION!

- Make sure cylinder valve is in its full off position.
- Check cylinder valve features to ensure it has proper external mating threads.
- Inspect hose thoroughly for damage. Never attempt to use damaged or plugged equipment. See your local LP Gas Dealer for repairs.
- Locate the hose out of pathways where people may trip over it or in areas where the hose may be subject to accidental damage.
- Open cylinder valve fully (counter-clockwise). Turn the on/off valve at the unit slowly to the on position and use a soapy water solution to check all connections for leaks as indicated in the diagrams before attempting to light the appliance. If a leak is found, turn tank valve off and do not use the appliance until repairs can be made.



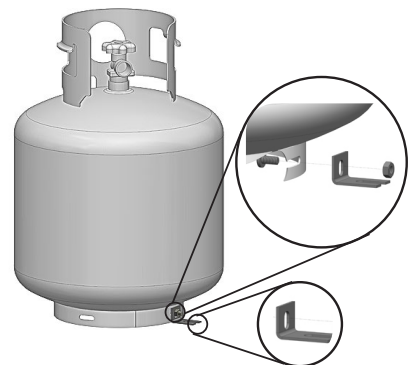
WARNING! A fire will result if the gas supply hose makes contact with the underside of the appliance.

LP (Propane) Gas Cylinder Mounting

To Prevent the LP-gas cylinder from tipping over, ensure the cylinder support ring is on a level surface. Place the cylinder into the support ring and tighten the thumb screw to secure.

Cylinder Retaining Bracket

1. Fasten the bracket to the bottom of the propane bottle using bolt and nut supplied.
2. Tighten the lag screw into the mounting surface leaving approximately 1/4" (6mm) of thread above the surface.
3. Slide propane bottle into position so that the bracket slides under the head of the lag screw.
4. Tighten the lag screw onto the bracket.
5. For fastening to a concrete surface a concrete anchor will be required. (Not supplied)



Finishing

Glass Ember Installation



WARNING! Do not use the appliance without the glass embers in place.

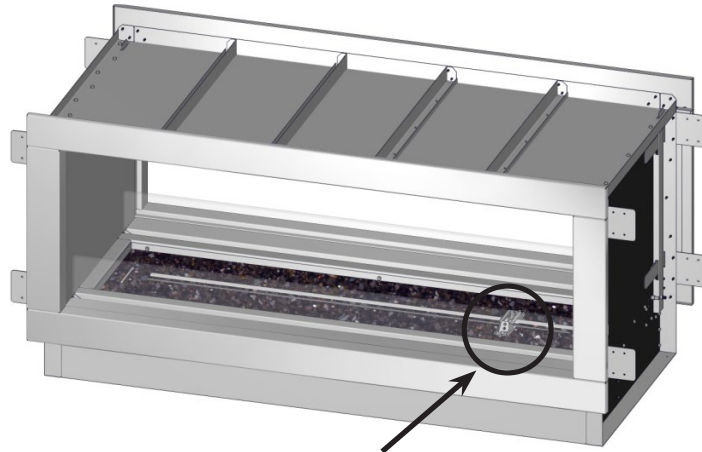


WARNING! Glass embers may have sharp edges, wear safety glasses and gloves when handling. Do not change or substitute the glass ember material provided with this appliance. If replacing, use only replacement glass embers available from your local authorized dealer / distributor.



WARNING! Glass embers may have a fine oil residue that needs to be cleaned prior to installation. Clean the glass with mild dish soap, drain, rinse thoroughly and dry before installing.

1. Carefully pour the glass embers onto the appliance ember tray as shown.
2. Spread the glass embers over the tray and burner. The distribution of clear glass over the burner will influence flame height.
3. The glass embers must cover the mesh area of the burner tray while ensuring no glass is placed on the ignition portion of the burner as illustrated below.



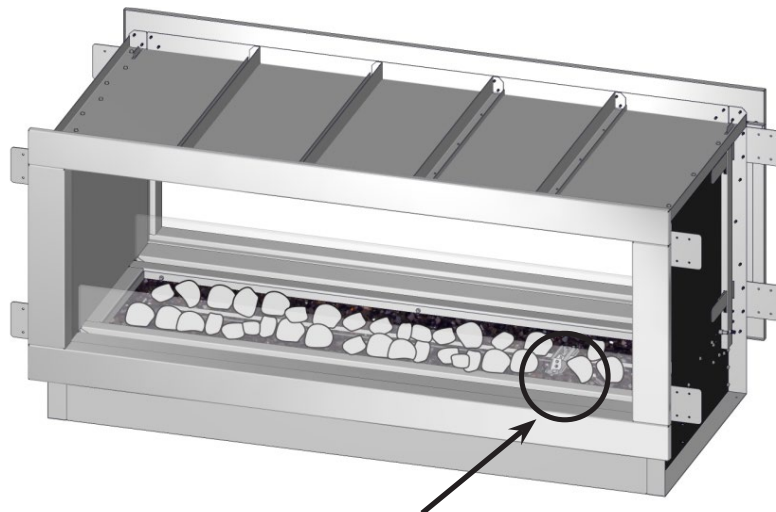
ENSURE NO GLASS IS PLACED ON THE IGNITION PORTION OF THE BURNER, DIFFICULTIES IN LIGHTING MAY RESULT.

MEK Rock Installation (Optional)



WARNING! Real rocks must not be used in this appliance. Heat will cause them to explode.

Place the refractory rocks on top of the glass ember bed and around the burner tray as desired, making sure not to cover any burner ports or the ignition portion of the burner.



ENSURE NO ROCK IS PLACED ON THE IGNITION PORTION OF THE BURNER, DIFFICULTIES IN LIGHTING MAY RESULT.

DI45 driftwood log set installation (optional)



WARNING! Discard the bag of sand included with this kit. It cannot be used with the gss48.

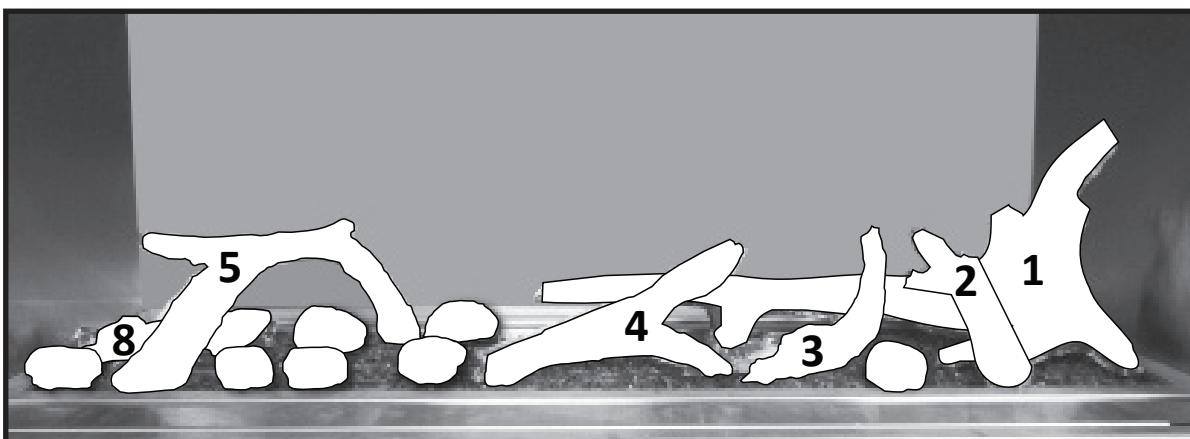
WARNING! Failure to position the logs in accordance with these diagrams or failure to use only logs specifically approved with this appliance may result in property damage or personal injury.

WARNING! Logs must be placed in their exact location in the appliance. Do not modify the proper log positions, since appliance may not function properly, and delayed ignition may occur.

WARNING! The logs are fragile and should be handled with care.



NOTE! Log colors may vary. during the initial use of the appliance, the colors will become more uniform as color pigments burn in during the heat activated curing process. Place the logs on top of the glass ember bed and around the burner tray as shown, making sure not to cover any burner ports or the ignition portion of the burner.



Complete Layout of Log Set

Step by Step Guide

- Install the glass embers as described in the previous section.
- Place the logs as shown in the following figures and refer to the diagram above for the identification number of each log.

FIG 1.





FIG 2.

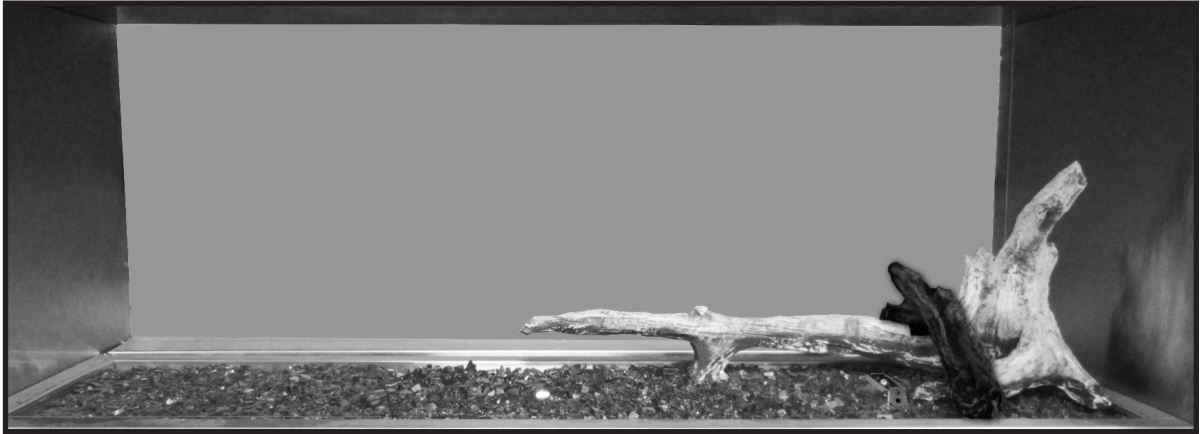


FIG 3.



FIG 4.



FIG 5.



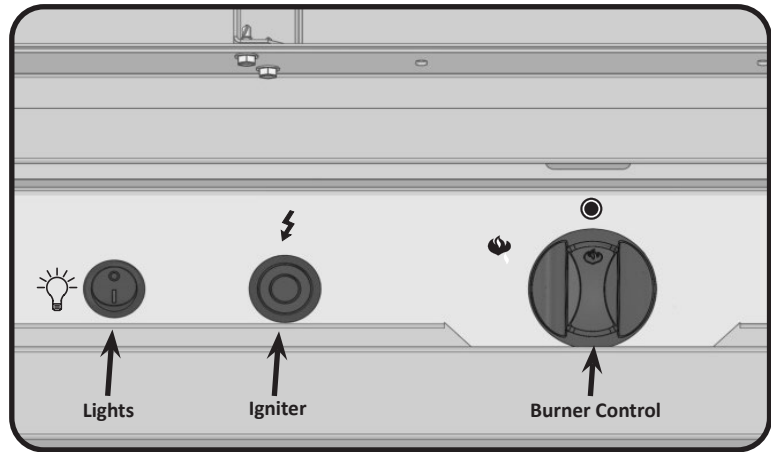
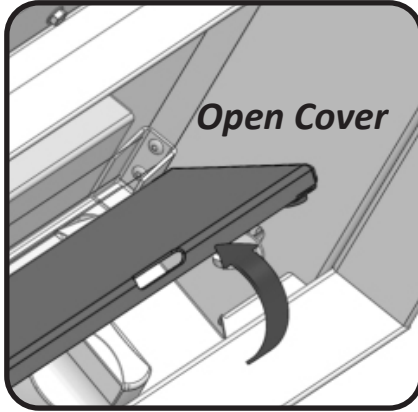
FIG 6.



FIG 7.



Lighting Instructions



WARNING! Keep face and body away from burner area when lighting.

WARNING! Ensure burner controls are in the off position. Slowly turn on the gas supply valve.

1. Press and hold electronic igniter button (⚡).

2. Turn the burner control to the high position, press and hold in. When the burner lights, release the electronic igniter button.

3. Continue to depress the burner control knob for 30 seconds and then release. If the flame goes out, repeat the procedure.

4. If the burner will not light with the electronic igniter, hold a lit long match or lit long butane lighter to the ignition area of the burner and continue with step 2.

5. To shut down the burner turn the burner control knob clockwise to the off position. Then turn the gas off at the source (propane cylinder valve or natural gas shut off valve).



WARNING! If the burner does not light within 10 seconds, turn the valve off and wait 5 minutes for any gas to dissipate before repeating the procedure.



If lighting the unit with a match, clip the match into the supplied lighting rod.

Operation



WARNING! Never use this appliance for other than the intended use. Do not use this appliance to prepare food.



WARNING! You must have clear and easy access to the on/off valve AFTER the appliance is installed and connected to the gas supply in order to safely turn off the burner.



Initial Lighting: When lit for the first time, the appliance emits a slight odor. This is a normal temporary condition caused by the “burn-in” of internal paints and lubricants used in the manufacturing process and does not occur again. Simply run the main burner on high for approximately one-half hour.

WARNING!

- Children and adults should be alerted to the hazards of high surface temperatures and should stay away from the appliance to avoid burns or clothing ignition.
- Children should be carefully supervised when they are in the area of the appliance.
- Clothing or other flammable materials should not be hung from the appliance, or placed on or near the appliance. The area above the enclosure may be extremely hot. Direct contact with these surfaces should be avoided in order to prevent burns or clothing ignition.
- THE GUARD IS FITTED TO THIS APPLIANCE TO REDUCE THE RISK OF FIRE OR INJURY FROM BURNS AND NO PART OF IT SHOULD BE REMOVED.
- Installation and repair should be done by a qualified service person. The appliance should be inspected before each use and at least annually by a qualified service person. More frequent cleaning may be required as necessary. It is imperative that the control compartment, burners and circulating air passageways of the appliance be kept clean.



WARNING!

- Never use the appliance while it is raining.
- Always turn the appliance off when raining.
- Never splash any liquid on the glass / glass embers when the appliance is operating.
- The glass / glass embers will be extremely hot while operating, never try to touch them.
- Always ensure the appliance stands firmly on level ground.
- Never use the appliance if the burner is damaged. Inspect the burner before each use. Ensure that no debris such as leaves; grass or other objects have entered or are on the appliance. If the burner is damaged it must be replaced prior to using the appliance with a replacement burner specified by your Napoleon dealer.
- Inspect the hose assembly before each use. If there is evidence of excessive abrasion or wear, or if the hose is damaged it must be replaced prior to using the appliance with a replacement hose assembly specified by your Napoleon dealer.



NOTE! The appliance has been designed with several safety features, which include a safety valve. If the burner flame is extinguished the appliance will automatically shut down.



WARNING! Any modification to the appliance may compromise the safety of this appliance. Special concern is as follows.

- Do not bypass thermocouple safety.
- Do not operate the appliance if any part has been under water. Immediately call a qualified service technician to inspect the appliance and replace any part of the control system and any gas control, which has been underwater.

LED Lights: Your appliance has been equipped with a LED (light) strip which is programmed with three colour modes. Plug the LED power supply into a GFI protected electrical outlet.

Turn on the light switch located under the access panel and toggle the switch off and on to cycle through to desired Mode.

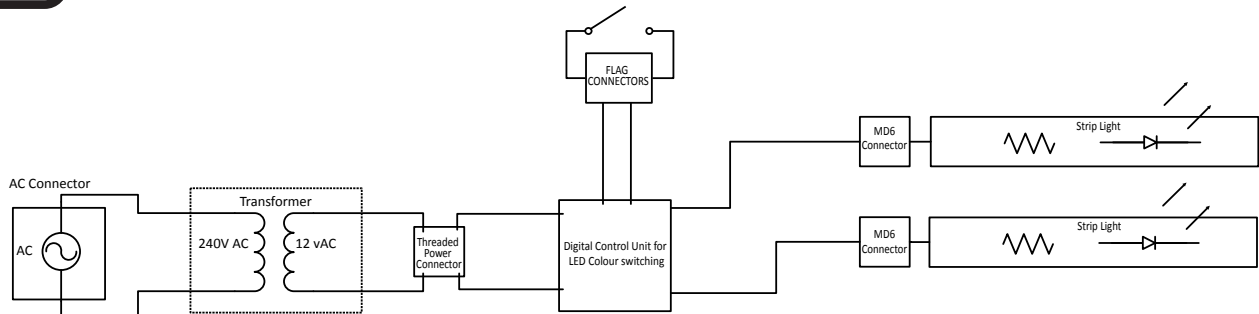
Mode 1 - Simulated White.

Mode 2 - Continuous 2 colour shift. Takes 8-10 seconds to smoothly ramp up one colour to 100%, as the other fades off from 100% to 0. Continually shifts in colour (17 seconds per colour, up and back down.)

Mode 3 - Freeze Mode Colour stops the colour shift on whichever colour it was on in Mode 2 at the time it was turned off, does not continue to shift.



NOTE! Switch off for 10 seconds to reset to beginning colour mode.



Maintenance / Cleaning Instructions



WARNING! Glass embers may have sharp edges, wear safety glasses and gloves when handling. Do not change or substitute the glass ember material provided with this appliance. If replacing, use only replacement glass embers available from your local authorized dealer / distributor.



WARNING! To avoid the possibility of burns, maintenance should be done only when the appliance is cool. Avoid unprotected contact with hot surfaces. Ensure burner is turned off. Turn gas off at source and disconnect the appliance before servicing. Clean the appliance in an area where cleaning solutions will not harm decks, lawns, or patios. Do not use flammable, corrosive or abrasive cleaners.



Note: Stainless steel tends to oxidize or stain in the presence of chlorides and sulfides, particularly in coastal areas and other harsh environments, such as the warm, highly humid atmosphere around pools and hot tubs. These stains could be perceived as rust, but can be easily removed or prevented. To provide stain prevention and removal, wash all stainless steel and chrome surfaces every 3-4 weeks or as often as required with fresh water and/or stainless steel cleaner.



Control Panel: The control panel text is printed directly on the stainless steel and with proper maintenance will remain dark and legible. To clean the panel, use only warm soapy water. Never apply abrasive cleaners on any stainless surfaces, especially the printed portion of the control panel or the printing will gradually rub off.



WARNING! Hose: Check for abrasions, melting, cuts, and cracks in the hose. If any of these conditions exist, do not use the appliance. Have the part replaced by your Napoleon dealer or qualified gas installer.

Cleaning Inside The Appliance: While washing your appliance, be sure to keep the area around the burner and pilot assembly dry at all times.



WARNING! If the gas control is exposed to water in any way, DO NOT try to use the appliance. The gas control must be replaced.



Burner: The burner is made from heavy wall 304 stainless steel, but extreme heat and a corrosive environment can cause surface corrosion to occur. This can be removed with a brass wire brush. Inspect the burner at least annually for cracks, insect nests, excessive corrosion or any other damage. If the burner is damaged, it must be replaced with a burner specified by the manufacturer before the appliance is put into operation.

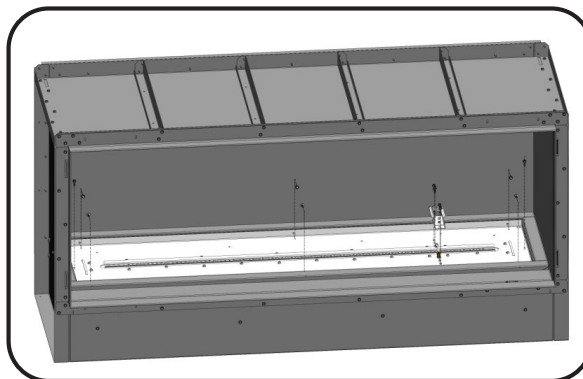
CAUTION! Beware of Spiders.

Spiders and insects are attracted to the smell of propane and natural gas. The burner is equipped with an insect screen on the air shutter, which reduces the likelihood of insects building nests inside the burner but does not entirely eliminate the problem. A nest or web can cause the burner to burn with a soft yellow or orange flame or cause a fire (flashback) at the air shutter underneath the control panel. Other warning signs that may indicate a problem are:

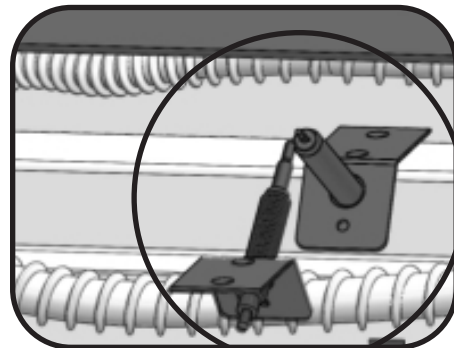
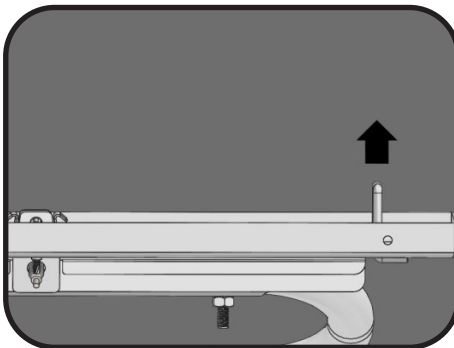
- Strong or unusual odor coming from the appliance.
- Continued difficulty or delayed ignition.
- Flame appears either very short or very long.
- Flame only burns part way across the burner.
- Excessive soot building up on the glass embers.

To clean the inside of the burner, it must be removed from the appliance: Remove the front glass shield and the glass embers and examine the burner. If dirty, clean with a wire brush. Remove the screws that attach the glass ember tray and the wind shield.

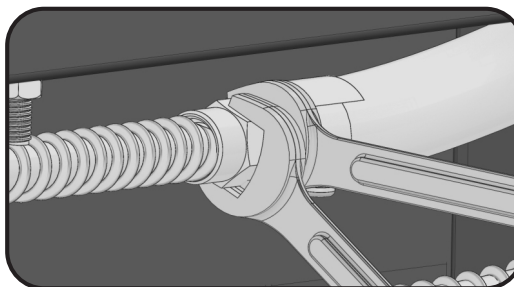
Cleaning: Use a flexible venturi tube brush to clean the inside of the burner. Shake any loose debris from the burner through the gas inlet. Check the burner ports and valve orifices for blockages. Burner ports can close over time due to debris and corrosion, use an opened paperclip or a drill bit to clean them. The ports are easier to clean if the burner is removed from the appliance, but it can also be done with the burner installed.



Lift the glass tray from the fireplace, pushing from the top, disengage the thermocouple and igniter from the glass tray.



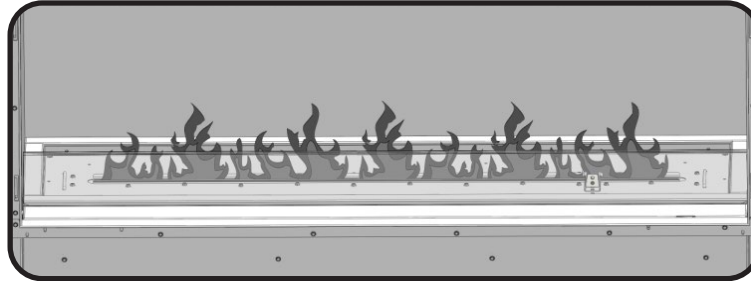
Remove the flex hose and the orifice from the burner and completely remove the glass tray from the fireplace.



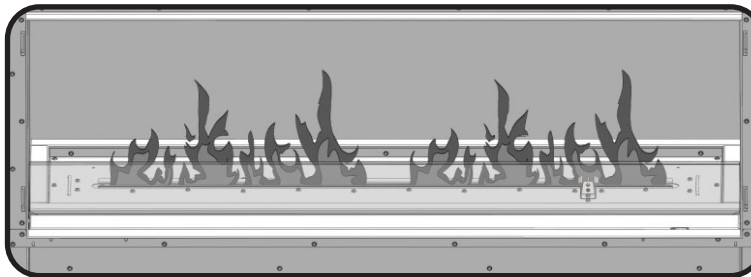
Once the glass tray is removed from the fireplace flip the glass tray upside down and remove the nuts from the bottom of the burner.

Reinstallation: Reverse the procedure to reinstall the burner ensuring that the holes on the gasket between the burner bracket and glass tray are lined up during re-assembly. Check that the orifice enters the burner when installing. Replace the glass embers and the front glass shield. When the appliance is put back in service, compare the burner flame pattern to the images below to verify that the appliance is operating correctly.

NORMAL



ABNORMAL



Cleaning The Outer Appliance Surface: Do not use abrasive cleaners or steel wool on any painted, or stainless steel parts of your Napoleon Appliance. Doing so will scratch the finish. Exterior surfaces should be cleaned with warm soapy water. To clean stainless surfaces, use a stainless steel or a non-abrasive cleaner. Always wipe in the direction of the grain. Over time, stainless steel parts discolor when heated, usually to a golden or brown hue. This discoloration is normal and does not affect the performance of the appliance.



WARNING! The appliance area must be clear and free from materials, gasoline and other flammable vapors and liquids. Do not obstruct the flow of combustion and ventilation air. Keep the ventilation opening of the cylinder enclosure free and clear of debris.

More frequent cleaning may be required as necessary.

Maintenance Schedule: We recommend this appliance is inspected by a gas fitter annually to check the operation is satisfactory and perform any necessary maintenance.

Troubleshooting

Problem	Possible Causes	Solution
Low heat / Low flame when valve turned to high.	For propane - improper lighting procedure. For natural gas - undersized supply line.	Ensure lighting procedure is followed carefully. The valve must be in the off position when the tank valve is turned on. Turn tank on slowly to allow pressure to equalize. See lighting instructions. Pipe must be sized according to installation code.
Burners burn with yellow flame, accompanied by the smell of gas.	Possible spider web or other debris.	Thoroughly clean burner venturi. See general maintenance instructions.
Burner will not light with the igniter, but will light with a match.	Dead battery / or installed incorrectly. Loose electrode wire or switch terminal wires. Improper gap at electrode tip.	Replace with heavy duty battery. Check that electrode wire is firmly pushed onto the terminal on the back of the igniter. Check that the lead wires from the module to the ignition switch (if equipped) are firmly pushed onto their respective terminals. The gap can be adjusted by bending the tip in or out. Until a spark is achieved.

If, after carrying out these checks, the appliance does not operate safely and correctly, contact Napoleon for further information.

KEEP YOUR RECEIPT AS PROOF OF PURCHASE TO VALIDATE YOUR WARRANTY.

Ordering Replacement Parts

Warranty Information

MODEL: _____

DATE OF PURCHASE: _____

SERIAL NUMBER: _____

(Record information here for easy reference)

For replacement parts and warranty claims, contact the Napoleon dealer where the product was purchased.

Before contacting the dealer, check the Napoleon Grills Website for more extensive cleaning, maintenance, troubleshooting and parts replacement instructions at www.napoleon.com.

To process a claim, the following information is required:

1. Model and serial number of the unit.
2. Part number and description.
3. A concise description of the problem ('broken' is not sufficient).
4. Proof of purchase (photocopy of the invoice).

In some cases, Napoleon could request to have the parts returned to the factory for inspection before providing replacement parts.

Before contacting Napoleon dealer, please note that the following items are not covered by the warranty:

- Costs for transportation, brokerage or export duties.
- Labour costs for removal and reinstallation.
- Costs for service calls to diagnose problems.
- Discolouration of stainless steel parts.
- Part failure due to lack of cleaning and maintenance, or use of improper cleaners (oven cleaner or other harsh chemicals).

Parts List

Item	Part #	Description	GSS48
1	N010-0761	base assembly firebox	x
2	N010-0779	tray burner / glass	x
	N300-0002	glass embers - topaz 2 x 7.5lb	x
3	N570-0008	#8 x 1/2" screw	x
4	N570-0020	#8-32x3/8 screw	x
5	N010-0925	regulator	n
6	N255-0066	fitting bsp	n
7	N080-0274	bracket electrode - thermocouple	x
8	N680-0001-SER	thermocouple	x
9	N240-0028	electrode c/w lead	x
10	N350-0075	electrical housing	x
11	N585-0077	wind shield	x
12	N325-0074	handle glass tray	x
13	N455-0066	orifice natural #25 (3.8 mm)	n
	W455-0076	orifice propane #43 (2.26 mm)	p
14	N720-0062	flex connector 30" X 3/8"	x
15	N725-0059	safety valve	x
	N450-0038	nut safety valve	x
16	N357-0013	igniter 1 spark - AAA 1.5V	x
17	N043-0002	battery, AAA 1.5V	x
18	N660-0002	switch light	x
19	N380-0020-RD	burner control knob	x
20	N500-0057	junction box plate	x
21	N750-0026	led wiring	x
	W160-0095	clip wire	x
22	N510-0002	silicone bumper	x
23	N300-0003	glass tempered	x
24	N665-0012	nailing tab	x
25	N190-0002	controller led	x
26	N720-0044	flex connector 12" X 3/8"	x
27	W445-0031	fitting 3/8" - 1/2"	x
28	N200-0098	cover control panel	x
	N570-0096	thumb screw	x
29	N707-0008	transformer	x
30	LT48SS	trim kit - 1 per side	ac
31	N080-0445	valve support bracket	x
	N555-0097	lighting rod	x
	GSS48COV	stainless steel cover	ac
	MEGA	glass embers - amber 1lb	ac
	MEGB	glass embers - blue 1lb	ac
	MEGK	glass embers - black 1lb	ac
	MEGR	glass embers - red 1lb	ac
	MKGA	glass embers - amber 6lb	ac
	MKGC	glass embers - clear 6lb	ac

Parts List

Item	Part #	Description	GSS48
	MKGK	glass embers - black 6lb	ac
	MKGB	glass embers - blue 6lb	ac
	MKGR	glass embers - red 6lb	ac
	MKRY	grey river rocks	ac
	MKRM	multicoloured river rocks	ac
	DL45	driftwood log set	ac

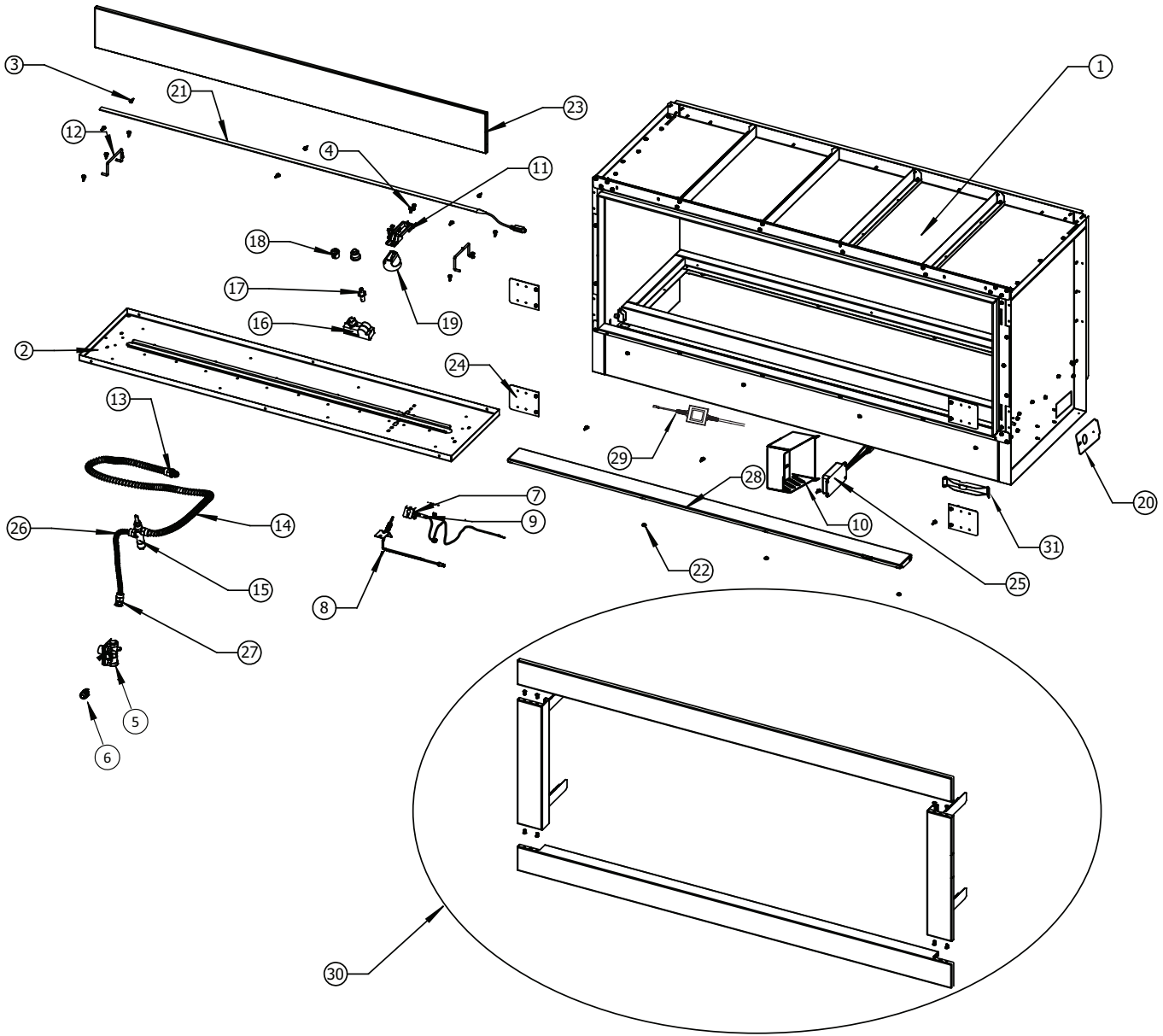
x - standard

n - natural gas units only

p - propane units only

ac - accessory

GSS48 Parts Diagram



Parts List

Item	Part #	Description	GSS48ST
1	N010-0762	base assembly firebox	x
2	N010-0779	tray burner / glass	x
	N300-0002	glass embers - topaz 2 x 7.5lb	x
3	N570-0008	#8 x 1/2" screw	x
4	N570-0020	#8-32x3/8 screw	x
5	N010-0925	regulator	n
6	N255-0066	fitting bsp	n
7	N080-0274	bracket electrode - thermocouple	x
8	N680-0001-SER	thermocouple	x
9	N240-0028	electrode c/w lead	x
10	N350-0075	electrical housing	x
11	N585-0077	wind shield	x
12	N325-0074	handle glass tray	x
13	N455-0066	orifice natural #25 (3.8 mm)	n
	W455-0076	orifice propane #43 (2.26 mm)	p
14	N720-0062	flex connector 30" X 3/8"	x
15	N725-0059	safety valve	x
	N450-0038	nut safety valve	x
16	N357-0013	igniter 1 spark - AAA 1.5V	x
17	N043-0002	battery, AAA 1.5V	x
18	N660-0002	switch light	x
19	N380-0020-RD	burner control knob	x
20	N500-0057	junction box plate	x
21	N750-0026	led wiring	x
	W160-0095	clip wire	x
22	N510-0002	silicone bumper	x
23	N300-0003	glass tempered	x
24	N665-0012	nailing tab	x
25	N190-0002	controller led	x
26	N720-0044	flex connector 12" X 3/8"	x
27	W445-0031	fitting 3/8" - 1/2"	x
28	N200-0098	cover control panel	x
	N570-0096	thumb screw	x
29	N707-0008	transformer	x
30	LT48SS	trim kit - 1 per side	ac
31	N080-0445	valve support bracket	x
	N555-0097	lighting rod	x
	GSS48COV	stainless steel cover	ac
	MEGA	glass embers - amber 1lb	ac
	MEGB	glass embers - blue 1lb	ac
	MEGK	glass embers - black 1lb	ac
	MEGR	glass embers - red 1lb	ac
	MKGA	glass embers - amber 6lb	ac
	MKGC	glass embers - clear 6lb	ac

Parts List

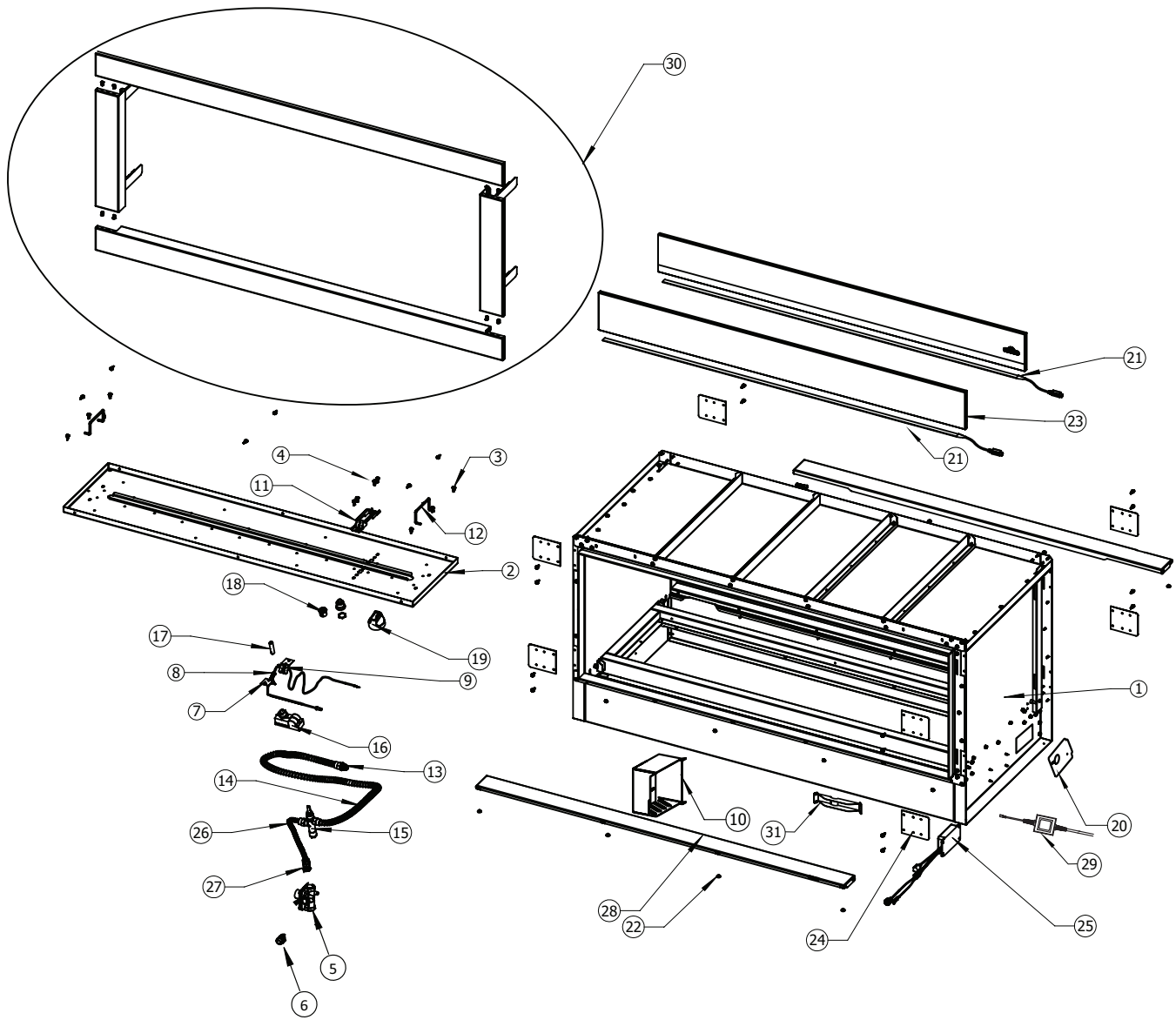
Item	Part #	Description	GSS48ST
	MKGK	glass embers - black 6lb	ac
	MKGB	glass embers - blue 6lb	ac
	MKGR	glass embers - red 6lb	ac
	MKRY	grey river rocks	ac
	MKRM	multicoloured river rocks	ac
	DL45	driftwood log set	ac

x - standard
n - natural gas units only

p - propane units only
ac - accessory



GSS48ST Parts Diagram





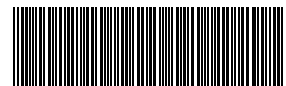
Notes



Notes



Napoleon products are protected by one or more U.S. and Canadian and/or foreign patents or patents pending.
Les produits de Napoléon sont protégés par un ou plusieurs brevets américains, canadiens et



N415-0346-AU