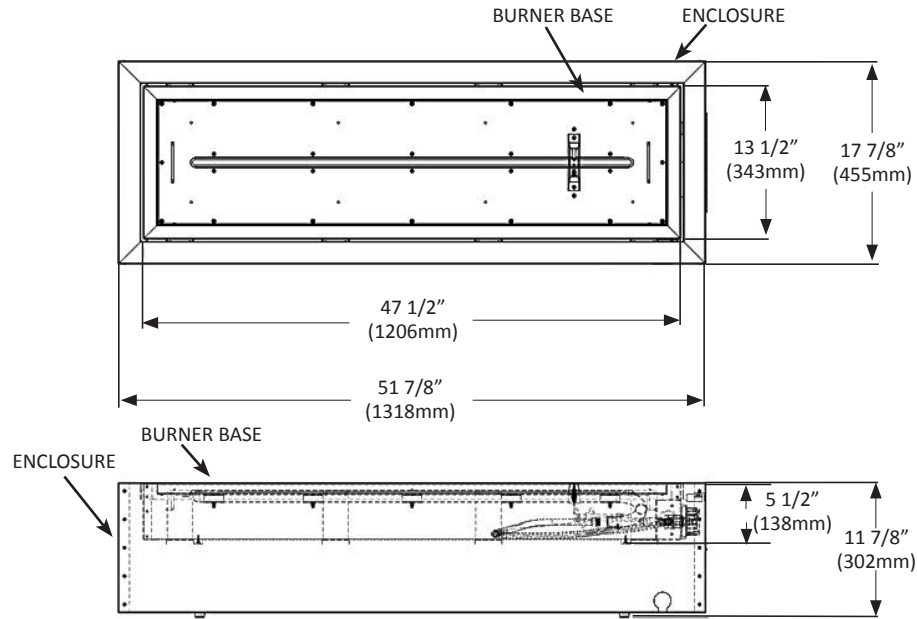


Specifications

DIMENSIONS



INPUT		
MODEL	FUEL	MAX. INPUT Btu/Hr
GPFL48N	Natural Gas	60,000
GPFL48P	Propane Gas	60,000

GAS INLET PRESSURES		
	NATURAL	PROPANE
Inlet Pressure	7.0" w.c.	11.0" w.c.

MINIMUM CLEARANCE TO COMBUSTIBLES		
	INCHES	MM
Side Walls	24	610
Top of unit to ceiling	72	1830

