

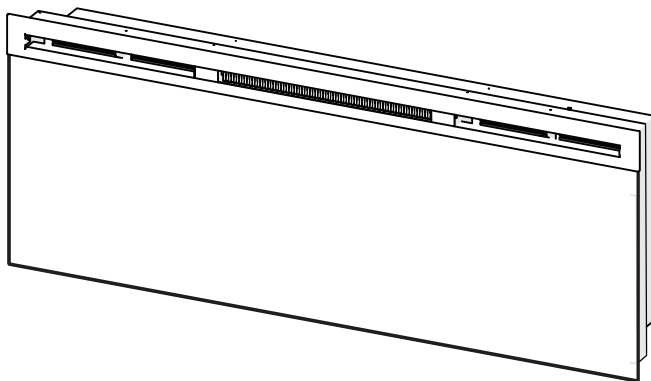
# EMPIRE

COMFORT SYSTEMS

SINCE 1932

## Owner's Manual

Model  
EBL50



---

**IMPORTANT SAFETY INFORMATION:** Always read this manual first before attempting to install or use this fireplace. For your safety, always comply with all warnings and safety instructions contained in this manual to prevent personal injury or property damage.

To view the full line of Empire products, please visit [www.empirecomfort.com](http://www.empirecomfort.com)

7213940200R02



# Table of Contents

	Welcome & Congratulations . . . . .	3
	IMPORTANT INSTRUCTIONS . . . . .	4
	Quick Reference Guide . . . . .	6
	Fireplace Installation . . . . .	7
	Site Selection . . . . .	7
	Wiring . . . . .	8
	Hardwire Installation . . . . .	9
	Surface Installation . . . . .	11
	In-wall Recessed Installation - 2x4 Framing . . . . .	13
	Flush Mounted Installation - 2x8 Framing . . . . .	14
	Front Glass Installation . . . . .	16
	Operation . . . . .	17
	Maintenance . . . . .	21
	Warranty . . . . .	22
	Technical Support . . . . .	24

Always use a qualified technician or service agency to repair this fireplace.

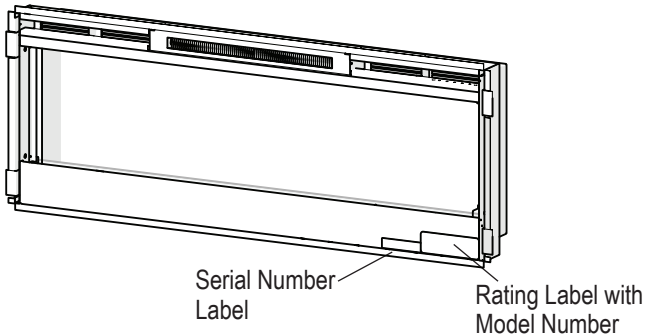
**! NOTE:** Procedures and techniques that are considered important enough to emphasize.

**! CAUTION:** Procedures and techniques which, if not carefully followed, will result in damage to the equipment.

**! WARNING:** Procedures and techniques which, if not carefully followed, will expose the user to the risk of fire, serious injury, or death.

## Welcome & Congratulations

Thank you and congratulations for purchasing an electric fireplace from Empire.



**Please carefully read and save these instructions.**

**⚠ CAUTION:** Read all instructions and warnings carefully before starting installation. Failure to follow these instructions may result in a possible electric shock, fire hazard and will void the warranty.




**NO NEED TO RETURN TO THE STORE**

If you have general questions about our products, please e-mail us at [info@empirecomfort.com](mailto:info@empirecomfort.com).

If you have a service or repair question, please contact your dealer.

# IMPORTANT INSTRUCTIONS

When using electrical appliances, basic precautions should always be followed to reduce the risk of fire, electric shock, and injury to persons, including the following:

- ① Read all instructions before using this electric fireplace.
- ② This fireplace is hot when in use. To avoid burns, do not let bare skin touch hot surfaces. The surface around the heater outlet becomes hot during heater operation.  
 **DANGER:** High temperatures may be generated under certain abnormal conditions. Do not partially or fully cover or obstruct the front of this heater.
- ③ Extreme caution is necessary when any heater is used by or near children or invalids and whenever the unit is left operating and unattended.
- ④ Young children should be supervised to ensure that they do not play with the appliance.
- ⑤ The appliance is not intended for use by young children or infirmed persons without supervision.
- ⑥ Do no operate any heater after it malfunctions. Disconnect power at service panel and have heater inspected by a reputable

electrician before reusing.

- ⑦ If the supply cord is damaged, it must be replaced by the manufacturer, or its service agent, or a qualified person in order to avoid a hazard.
- ⑧ Do not use outdoors.
- ⑨ Never locate fireplace where it may fall into a bathtub or other water container.
- ⑩ Do not locate the heater immediately below a fixed socket-outlet.
- ⑪ To disconnect the fireplace, turn the controls off, and turn off power to heater circuit at main disconnect panel.
- ⑫ Do not insert or allow foreign objects to enter any ventilation or exhaust opening as this may cause an electric shock or fire, or damage to the heater.
- ⑬ To prevent a possible fire, do not block air intakes or exhaust in any manner.
- ⑭ A heater has hot and arcing or sparking parts inside. Do not use in areas where gasoline, paint, or flammable liquids are used or stored.
- ⑮ Use this heater only as described in this manual. Any other use not recommended by


# IMPORTANT INSTRUCTIONS


the manufacturer may cause fire, electric shock or injury to persons.

- ⑯ To reduce the risk of electric shock, this appliance has a polarized plug (one blade is wider than the other). This plug will fit in a polarized outlet only one way. If the plug does not fit fully in the outlet, reverse the plug. If it still does not fit, contact a qualified electrician to install the proper outlet. Do not change the plug in any way. Always plug heaters directly into a wall outlet/receptacle. Never use with an extension cord or relocatable power tap (outlet/power strip).
- ⑰ Do not burn wood or other materials in the electric fireplace.
- ⑱ Do not strike the fireplace glass.
- ⑲ Always use a certified electrician should new circuits or outlets be required.
- ⑳ Always use properly grounded, fused and polarized outlets.
- ㉑ Disconnect all power supply

before performing any cleaning, maintenance or relocation of the unit.

- ㉒ When transporting or storing the unit and cord, keep in a dry place, free from excessive vibration and store so as to avoid damage.

 **WARNING:** Remote control contains small batteries. Keep away from children. If swallowed, seek medical attention immediately.

 **WARNING:** Do not install battery backwards, charge, put in fire or mix with used or other battery types - may explode or leak causing injury.

**!** **NOTE:** Changes or modifications not expressly approved by the party responsible for compliance could void user's authority to operate the equipment.



**CAUTION**  
RISK OF ELECTRIC SHOCK  
DO NOT OPEN  
NO USER-SERVICABLE PARTS INSIDE



## SAVE THESE INSTRUCTIONS



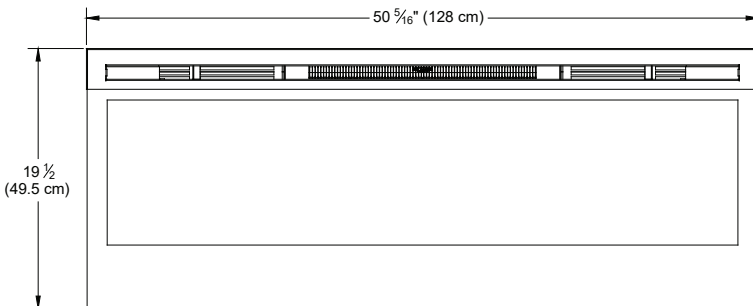
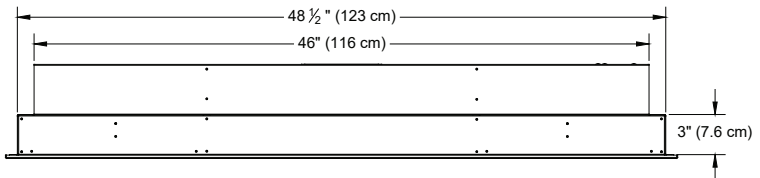
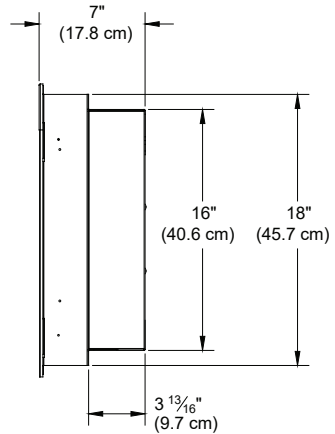
## Quick Reference Guide

1. The electrical information regarding your electric fireplace can be found on the rating label located on the front of the unit, behind the glass.

Before installation, please record your fireplace's serial number below for future reference.

2. If you have any technical questions or concerns regarding the operation of your electric fireplace, or require service contact customer service.
3. For dimensions of your fireplace, refer to Figure 1.

**Figure 1**



# Fireplace Installation

## Site Selection


Review and consider all of the following conditions for installation:


- Dimensions of the unit: 50<sup>5</sup>/<sub>16</sub>" (128 cm) x 19<sup>1</sup>/<sub>2</sub>"(49.5 cm)
- Unit requires a minimum of two wall studs in order to ensure a secure installation

There are three possible mounting methods:

- Surface mount (pg. 12);
- Partial recess (pg. 13);
- Flush mount (pg. 14),


and any of these have the option of being hardwired or plugged directly into the wall outlet.


 **WARNING:** The top of the fireplace is to be installed at least 4" (10.2 cm) from the ceiling.

 **CAUTION:** Ensure installation does not allow fireplace to be in direct contact with building vapor barrier or insulation and meets all local building codes.

**! NOTE 1:** A 15 Amp, 120 Volt circuit is required. A dedicated circuit is preferred but not essential in all cases. A dedicated circuit will be required if, after installation, the circuit breaker trips or fuse blows on a regular basis when the heater is operating. Additional appliances on the same circuit may exceed

the current rating of the circuit breaker.

 **WARNING:** Ensure the power cord is not installed so that it is pinched or against a sharp edge and ensure that the power cord is stored or secured to avoid tripping or snagging to reduce the risk of fire, electric shock or injury to persons. Construction and electrical outlet wiring must comply with local building codes and other applicable regulations to reduce the risk of fire, electric shock and injury to persons.

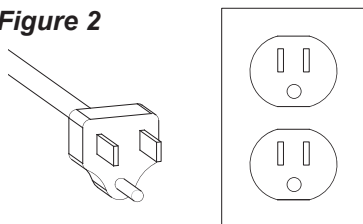
 **WARNING:** To reduce the risk of fire, do not store or use gasoline, or other flammable vapors or liquids in the vicinity of the heater.

# Fireplace Installation

## Grounding Instructions

This product must be grounded. If it should malfunction or breakdown, grounding provides a path of least resistance for electric current to reduce the risk of electric shock. This product is equipped with a cord having an equipment-grounding conductor and a grounding plug. The plug must be plugged into an appropriate outlet that is properly installed and grounded in accordance with all local codes and ordinances.

Figure 2

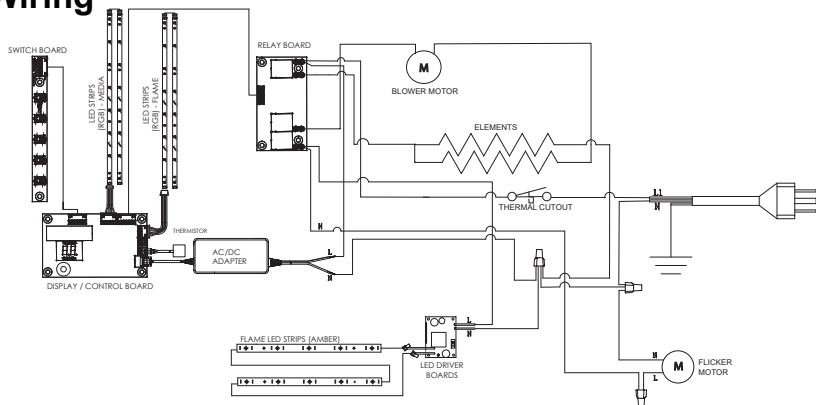


**⚠ DANGER:** Improper connection of the equipment-grounding conductor can result in a risk of electric shock. Check with a qualified electrician or serviceman if you are in doubt as to whether the product is properly grounded.

Do not modify the plug provided with the product – if it will not fit the outlet, have a proper outlet installed by a qualified electrician.

This product is for use on a nominal 120-volt circuit and has a grounding plug that looks like the plug in Figure 3. Make sure that the product is connected to an outlet having the same configuration as the plug. No adapter should be used with this product.

## Wiring



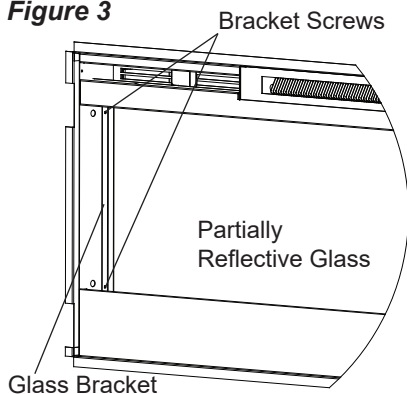


# Fireplace Installation

## Installation

1. Select a location that is not susceptible to moisture and is away from drapes, furniture and high traffic.
2. For ease of electrical hook up, you may wish to locate the fireplace near an existing outlet (for plug-in convenience) (refer to NOTE 1, page 7).
3. Remove fireplace, front glass and hardware from box and remove all packaging materials before installation.
4. Store the fireplace in a safe, dry and dust-free location until you are ready to install the fireplace.

**Figure 3**



## Hardwire Installation

The fireplace is packaged with a three-prong plug installed for plug-in convenience. Hardwiring the fireplace is also an option for any installation.

**⚠ WARNING:** Do not attempt to wire your own new outlets or circuits. To reduce the risk of fire, electric shock or injury to persons, always use a licensed electrician.

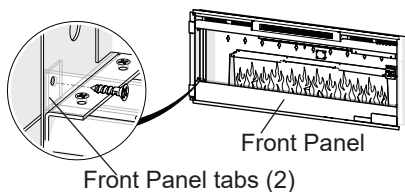
**⚠ WARNING:** Ensure that the circuit on which the fireplace is to be installed has the power cut off at the service panel until installation is complete.

1. Remove the partially reflective glass from the fireplace:
    - Lay fireplace on its back.
    - Remove two Phillips screws from each of the two glass brackets (Figure 3).
    - Remove the glass brackets.
    - With one hand keeping pressure on the partially reflective glass, tilt the fireplace upright and slightly forward to allow the partially reflective glass to fall out of the inside framing.
- ⚠ CAUTION:** Do not bump or drop the partially reflective glass to avoid breakage and personal injury.

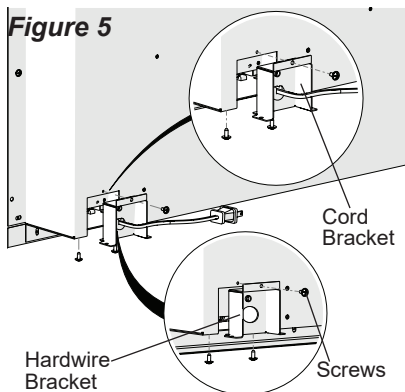
## Fireplace Installation

- Remove the partially reflective glass from the fireplace.
1. Locate the power cord and remove the 3 screws that attach the cord bracket to the unit - one on the back of the unit and two on the bottom. (Figure 5)
  2. From the front, remove the 2 Philips screws that fasten the front panel tabs, tilt the panel forward and lift off. (Figure 4)
  3. Unscrew the 3 wire connectors and separate the wires (Figure 6).
  4. Pull the cord bracket and power cord out the front of the fireplace.
  5. Replace removed cord bracket with the supplied hardwire bracket replacement (Figure 7) and install using screws removed in step 2.
  6. Leaving a minimum of 3" (7.6 cm) of slack, route the power supply through the hole in the hardwire bracket and secure with a wire clamp (not supplied).
  7. Connect the smooth black wire (live) from the unit to the black wire from the power supply using one of the wire connectors removed in step 4 (Figure 6).
  8. Connect the black ribbed wire (neutral) and white flicker motor wire from the unit to the white wire from the power supply using the second wire connector from step 4 (Figure 6).
  9. Attach green grounding wire to

**Figure 4**



**Figure 5**

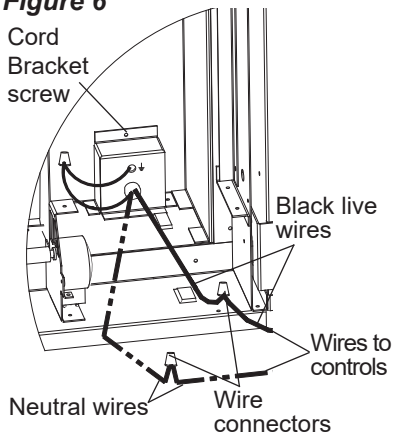


## Fireplace Installation

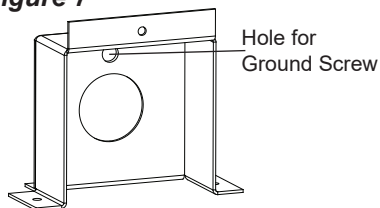
hardwire bracket with provided grounding screw. Place wire in between screw and lock washer and tighten.

- Carefully reinsert partially reflective glass into the fireplace and anchor in place using glass brackets and screws removed in step 1.
- Proceed to installation using the desired mounting method.

**Figure 6**



**Figure 7**



### For Bathroom Use

If this unit is installed in a bathroom, it must be protected by a GFI receptacle or circuit. If receptacle is used, it must be readily accessible.

This electrical appliance is not watertight. To prevent electrical shock, it must be installed as to prevent water from entering unit. This must be installed away from showers, tubs, etc. Never locate fireplace where it may fall into a bathtub or other water container.

# Fireplace Installation

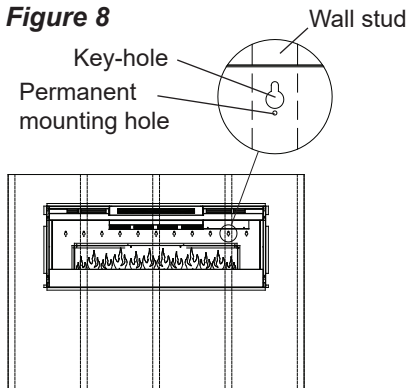
## Surface Installation

**⚠ CAUTION:** Two people may be required for various steps of this procedure.

1. Choose a location which has a minimum of two wall studs available for mounting.
2. Choose your method of supplying power to the unit:
  - Plug into an existing outlet or install an outlet nearby.
  - Hardwire the fireplace - follow the hardwiring instructions on page 9.
3. Remove the partially reflective glass from the fireplace:
  - Lay the fireplace on its back.
  - Remove the two Phillips screws from each of the two glass brackets (Figure 3, page 9).
  - Remove the glass brackets.
  - With one hand keeping pressure on the partially reflective glass, tilt the fireplace upright and slightly forward to allow the partially reflective glass to fall out of the inside framing.

- ⚠ CAUTION:** Do not bump or drop the partially reflective glass to avoid breakage and personal injury.
- Remove the partially reflective glass from the fireplace.
4. Position the fireplace on a wall at the position where it will be mounted (Figure 8). Use a bubble

**Figure 8**



- level (one is supplied) to ensure that fireplace is level on the wall.
5. Ensuring that at least two keyholes line up with a wall stud (keyholes are spaced at 4 in. (10.2 cm) centers), mark the location of the four screw locations on the wall (through the keyholes).
6. Remove the fireplace from the wall and store it in a safe place away from traffic.
7. Where marked screw locations do not line up with a wall stud, insert (screw in) one of the two supplied wall anchors (pre-drill if required). Repeat if only two screws line up with a wall stud.
8. Screw all four supplied #8, 1½ in. (3.8 cm) square head mounting screws and washers into the wall and/or wall anchors leaving ¼ in. (6.5 mm) of thread.
9. Align the chosen keyholes with

## Fireplace Installation

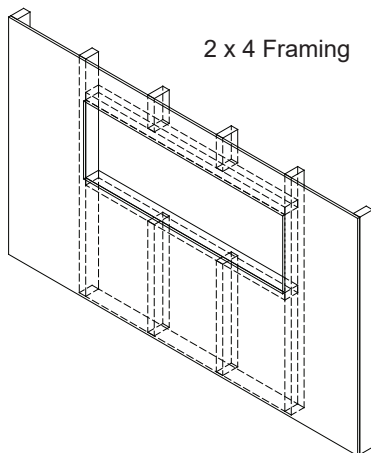
the screws and hang the fireplace on the wall. Screw heads and washers will fit through the keyholes and the fireplace will slide down into position (screws will slide into the narrow part of the keyholes).

10. Tighten all 4 mounting screws down on the fireplace chassis.

**⚠ CAUTION:** Ensure at least 2 of the mounting screws are inserted in wall studs.

11. Carefully replace and install the partially reflective glass and the glass brackets using the screws removed in step 1.
12. Refer to Front Glass Installation section for final installation procedures.

**Figure 9**



### Partial Recess Installation - 2x4 Framing

**⚠ CAUTION:** Two people may be required for various steps of this procedure.

1. Prepare a wall with a framed opening of 46 ½ in. (118.1 cm) wide x 16 ½ in. (42 cm) high (Figure 9).

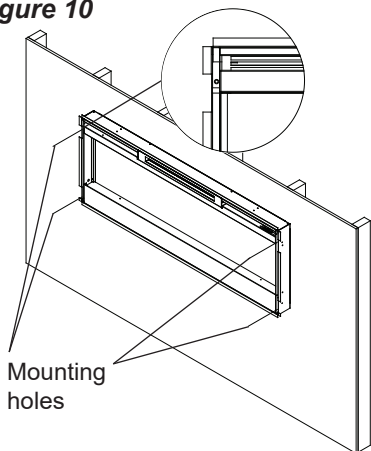
**! NOTE:** The sizing has allowed for 1/4 in. (6.4 mm) around the fireplace insert for ease of installation. This fireplace does not require any additional venting.

2. Choose your method of supplying power to the unit:
  - Plug-in (you may run the power cord out of the framed wall opening to an existing outlet or install an outlet on a nearby wall stud within the wall).
  - Hardwire the fireplace - follow the hardwiring instructions on page 9.
3. Lift the fireplace and insert it into the opening (Figure 10).
4. Use the supplied bubble level to level the fireplace within the framing. Adjust as required.
5. Drive four supplied mounting screws through the four mounting holes located in each corner of the fireplace chassis, into wall studs. (Figure 10)

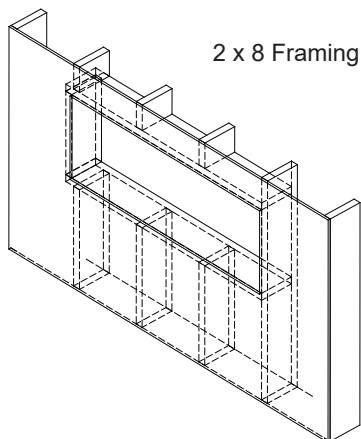
# Fireplace Installation

1. Refer to Front Glass Installation section for final installation procedures.

**Figure 10**



**Figure 11**



## Flush Mounted Installation - 2x8 Framing

**⚠ CAUTION:** Two people may be required for various steps of this procedure.

1. Prepare a wall with a framed opening of 49 in. (124.5 cm) wide x 18½ in. (47 cm) high (Figure 11).

**! NOTE:** The sizing has allowed for 1/4" (6.4 mm) around the fireplace insert for ease of installation. This fireplace does not require any additional venting.

2. Choose your method of supplying power to the unit:
  - Plug-in (you may run the power cord out of the framed wall opening to an existing outlet or install an outlet on a nearby wall stud within the wall).
  - Hardwire the fireplace - follow the hardwiring instructions on page 9.

**⚠ WARNING:** Do not attempt to wire your own new outlets or circuits. To reduce the risk of fire, electric shock or injury to persons, always use a licensed electrician.

**⚠ WARNING:** Ensure that the circuit on which the fireplace is to be installed has the power cut off at the service panel until installation is complete.

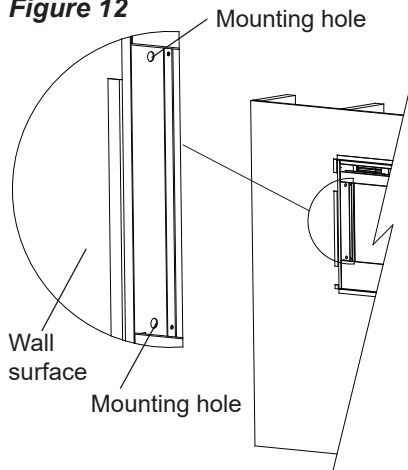
## Fireplace Installation

3. Lift the fireplace and insert into the opening. The fireplace's mounting trim should be flush against the wall (Figure 12).
4. Use the supplied bubble level to level the fireplace within the framing. Adjust as required.
5. Drive four supplied mounting screws through the four mounting holes located on the inside surface of the fireplace chassis, into wall studs (Figure 12).
6. Refer to Front Glass Installation section for final installation procedures.

### Installation in a Media Console

1. Insert the fireplace into the opening of the media console from the front.
2. Drive four supplied mounting screws through the four mounting holes located on the inside surface of the fireplace chassis, into the walls of the media console.
3. Refer to Front Glass Installation section for final installation procedures.

**Figure 12**

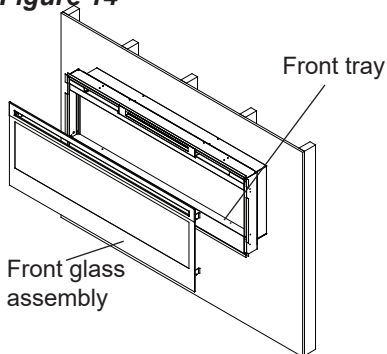


# Fireplace Installation

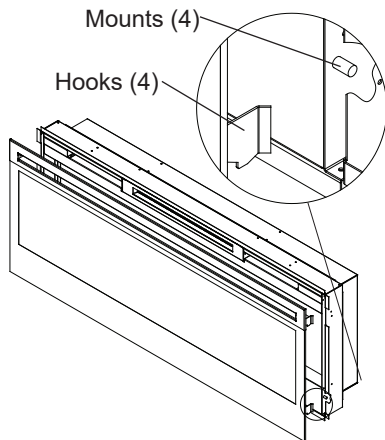
## Front Glass Installation

1. Evenly distribute supplied glass rock on the front tray of the fireplace (Figure 14).
2. Carefully mount front glass assembly so that the front glass hooks (4) hang on the front glass mounts on the fireplace (4) (Figure 15).
3. Use the supplied two Phillips sheet metal screws to fasten the glass assembly tabs to the fireplace (Figure 16).
4. If unit is not hardwired, plug fireplace into a 15 Amp, 120 Volt outlet (refer to NOTE 1).

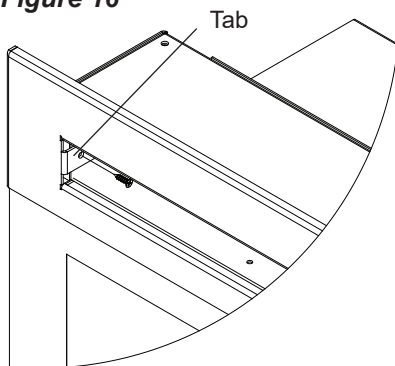
**Figure 14**



**Figure 15**



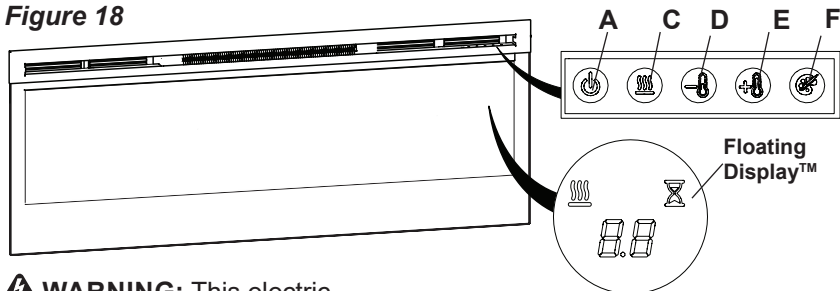
**Figure 16**





## 👉 Operation

Figure 18



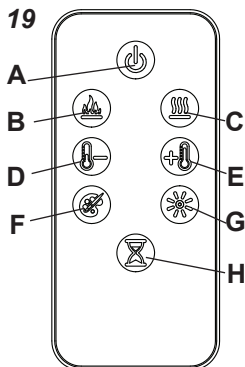
**⚠️ WARNING:** This electric firebox must be properly installed before it is used.

The unit can be controlled by either the manual controls which are located on the upper right of the fireplace or the remote (Figure 18 & 19).

The fireplace is supplied with an IR multifunction remote control.

**! NOTE:** To operate correctly, the remote control must be pointed towards the Floating Display™.

Figure 19



### A. Standby

Turns the unit On and Off.


→ Activated by pressing the Standby button on the remote or the unit.

- The unit will turn on with the same functions that it was set to when it was turned Off and the intake temperature will be indicated on the On Screen Display.

**! NOTE:** When any button is pressed the intake temperature will be displayed on the On Screen Display for 5 seconds.

### B. Flame Effects


Turns the flame effect On and Off.


→ Activated by pressing the  button on the remote.

## Operation


### C. Heat ON/OFF

Turns the heater On and Off.

→ Activated by pressing the  button on the unit or the remote.

- Indicated by the  icon and the intake temperature being displayed on the On-Screen Display, for 5 seconds before turning off.



**! NOTE:** After the heater is switched off, there is a 60 second fan delay, where the fan will continue running before turning off.

**! NOTE:** The unit can be operated in **Heat Only Mode**. When the unit is only running with the heater, the  icon will continuously be displayed on the On-Screen Display.


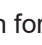
**! NOTE:** The heater may emit a slight, harmless odor when first used. This odor is a normal condition caused by initial heating of internal heater parts and will not occur again.

### D & E. Thermostat Controls

Adjusts the temperature set point to your individual requirements. Once the desired set temperature is reached the heater will turn off. The heater will cycle on and off to maintain the desired set temperature. The default temperature setting is 72°F (22°C).

→ Adjusted by pressing the  to decrease the setpoint and the  to increase the setpoint on the unit or the remote.

- The On Screen Display will indicate the temperature setpoint as it is adjusted.

**! NOTE:** Holding the  and the  buttons down for two seconds, on the unit, will change the temperature from °C to °F, or vice versa.



### Disable Heat

If desired, depending on the season, the heater on the unit can be disabled. The unit will operate in the same fashion, with remainder of the controls.

Pressing the  and  buttons


## Operation

on the unit at the same time and holding for 2 seconds will disable and enable the heater.

- ! NOTE:** When the heater has been disabled and either the  or the  is pressed the On Screen Display will indicate "--".

### **F.** Color Themes

Different presets of ambient lighting color combinations contained in the unit.

- Changed by repeatedly pressing the corresponding button on the remote or the unit.
- Cycles through the different preset ambient lighting settings of the unit, this includes different combinations of colours of the flame base and media lighting.
- ! NOTE:** The last theme of the cycle is a prism where the unit cycles through a variety of colours. Pressing the  button stops the cycling and holds the unit on the preferred color, indicated by a "U" - Unfreeze or a "F" - Freeze on the display.



### **G.** Brightness

Changes the brightness of the lights in the unit.

- Adjusted by repeatedly pressing the corresponding button on the remote.
- Indicated by the second digit on the Floating Display™ changing to show: "H" (high), and "L" (low).

### **H.** Sleep Timer

The Sleep Timer can be set to automatically shut off the fireplace after a preset time (from 30 minutes to 8 hours).

- To set the timer press the timer button on either the remote or the unit, repeatedly, until the desired time is displayed.
- The On Screen Display will display the different times as it is adjusted. Once the timer has begun, pressing the  button will display the time remaining before the unit turns Off.
- ! NOTE:** The Sleep Timer can be cancelled at any time by pressing the  button repeatedly until the sleep timer displays nothing.

## Operation

### Resetting the Temperature Cutoff Switch

Should the heater overheat, an automatic cut out will turn the heater off and it will not come back on without being reset. It can be reset by unplugging the unit and waiting 5 minutes before plugging the unit back in.

**⚠ CAUTION:** If you need to continuously reset the heater, unplug the unit and call technical support at 1-888-346-7539.

### Remote Control Battery Replacement

To replace the battery:

1. Slide battery cover open on the remote control.
2. Correctly install one 3 Volt (CR2032 [longer life] or CR2025) battery in the battery holder.
3. Close the battery cover.



Battery must be recycled or disposed of properly. Check with your Local Authority or Retailer for recycling advice in your area



## Maintenance

**⚠ WARNING:** Disconnect power and allow heater to cool before attempting any maintenance or cleaning to reduce the risk of fire, electric shock or damage to persons.

**! NOTE:** The fireplace should not be operated with an accumulation of dust or dirt on or in the unit, as this can cause a build up of heat and eventual damage. For this reason the heater must be inspected regularly, depending upon conditions and at least at yearly intervals.

### Partially Reflective Glass Cleaning

The partially reflective glass is cleaned in the factory during the assembly operation. During shipment, installation, handling, etc., the partially reflective glass may collect dust particles; these can be removed by dusting lightly with a clean dry cloth.

To remove fingerprints or other marks, the partially reflective glass can be cleaned with a damp cloth. The partially reflective glass should be completely dried with a lint free cloth to prevent water spots. To prevent scratching, do

not use abrasive cleaners.

### Fireplace Surface Cleaning

Use only a damp cloth to clean painted surfaces of the fireplace. Do not use abrasive cleaners.

### Servicing

Except for installation and cleaning described in this manual, an authorized service representative should perform any other servicing.



## Warranty

### *Products to which this limited warranty applies*

This limited warranty applies to your newly purchased Empire electric fireplace. This limited warranty applies only to purchases made in any of the 50 States of the USA (and the District of Columbia) except for Hawaii and Alaska. This limited warranty applies to the original purchaser of the product only and is not transferable.

### *Products excluded from this limited warranty*

Products purchased in Hawaii or Alaska are not covered by this limited warranty. Products purchased in these States are sold AS IS without warranty or condition of any kind (including, without limitation, any implied warranties or conditions of merchantability or fitness for a particular purpose) and the entire risk of as to the quality and performance of the products is with the purchaser, and in the event of a defect the purchaser assumes the entire cost of all necessary servicing or repair.

### *What this limited warranty covers and for how long*

Products, other than fireplace surrounds (mantels) and trims, covered by this limited warranty have been tested and inspected prior to shipment and, subject to the provisions of this warranty, Empire warrants such products to be free from defects in material and workmanship for a period of 2 years from the date of the first purchase of such products.

Empire fireplace surrounds (mantels) and trims covered by this limited warranty have been tested and inspected prior to shipment and, subject to the provisions of this warranty, Empire warrants such products to be free from defects in material and workmanship for a period of 1 year from the date of first purchase of such products.

The limited 2 year warranty period for products other than fireplace surrounds (mantels) and trims and the limited 1 year warranty period for fireplace surrounds (mantels) and trims also applies to any

implied warranties that may exist under applicable law. Some jurisdictions do not allow limitations on how long an implied warranty lasts, so the above limitation may not apply to the purchaser.

### *What this limited warranty does not cover*

This limited warranty does not apply to products that have been repaired (except by Empire or its authorized service representatives) or otherwise altered. This limited warranty does further not apply to defects resulting from misuse, abuse, accident, neglect, incorrect installation, improper maintenance or handling, or operation with an incorrect power source.

### *What you must do to get service under this limited warranty*

If you have a service or repair question, please contact your dealer. Please have proof of purchase, catalogue/model and serial numbers available when calling. Limited warranty service requires a proof of purchase of the product.

### *What Empire will do in the event of a defect*

In the event a product or part covered by this limited warranty is proven to be defective in material or workmanship during (i) the 2 year limited warranty period for products other than fireplace surrounds (mantels) and trims, and (ii) the 1 year limited warranty period for surrounds (mantels) and trims, you have the following rights:

- Empire will in its sole discretion either repair or replace such defective product or part without charge. If Empire is unable to repair or replace such product or part, or if repair or replacement is not commercially practicable or cannot be timely made, Empire may, in lieu of repair or replacement, choose to refund the purchase price for such product or part.
- Limited warranty service will be performed solely by dealers or service agents of Empire authorized to provide limited warranty services.



## Warranty

- For products other than surrounds (mantels) and trims, this 2 year limited warranty entitles the purchaser to on-site or in-home warranty services. Accordingly, Empire will be responsible for all labour and transportation associated with repairing or replacing the product or part except as follows: (i) charges which may be levied for travel costs incurred to travel to the purchaser's site where the product is located if the purchaser's site is beyond 30 miles (48 km) from the closest service depot of Empire's dealer or service agent; and (ii) the purchaser is solely responsible for providing clear access to all serviceable parts of the product.
- For surrounds (mantels) and trims, this 1 year limited warranty does not entitle the purchaser to on-site or in-house warranty services. The purchaser is responsible for removal and transportation of the surrounds (mantels) and trims (and any repaired or replacement product or part) to and from the authorized dealer's or service agent's place of business. On-site or in-home services for surrounds (mantels) and trims may be performed at the purchaser's specific request and expense at Empire's then current rates for such services. Empire will not be responsible for, and this limited warranty shall not include, any expense incurred for installation or removal of the surrounds (mantels) or trims or any part thereof (or any replacement product or part) including, without limitation, all shipping costs and transportation costs to and from the authorized dealer's or service agent's place of business and all labour costs. Such costs shall be the purchaser's responsibility.

*What Empire and its dealers and service agents are also not responsible for.*

**IN NO EVENT WILL EMPIRE, OR ITS DIRECTORS, OFFICERS, OR AGENTS, BE LIABLE TO THE PURCHASER OR ANY THIRD PARTY, WHETHER IN CON-**

**TRACT, IN TORT, OR ON ANY OTHER BASIS, FOR ANY INDIRECT, SPECIAL, PUNITIVE, EXEMPLARY, CONSEQUENTIAL, OR INCIDENTAL LOSS, COST, OR DAMAGE ARISING OUT OF OR IN CONNECTION WITH THE SALE, MAINTENANCE, USE, OR INABILITY TO USE THE PRODUCT, EVEN IF EMPIRE OR ITS DIRECTORS, OFFICERS, OR AGENTS HAVE BEEN ADVISED OF THE POSSIBILITY OF SUCH LOSSES, COSTS OR DAMAGES, OR IF SUCH LOSSES, COSTS, OR DAMAGES ARE FORESEEABLE. IN NO EVENT WILL EMPIRE, OR ITS OFFICERS, DIRECTORS, OR AGENTS BE LIABLE FOR ANY DIRECT LOSSES, COSTS, OR DAMAGES THAT EXCEED THE PURCHASE PRICE OF THE PRODUCT.**

**SOME JURISDICTIONS DO NOT ALLOW THE EXCLUSION OR LIMITATION OF INCIDENTAL OR CONSEQUENTIAL DAMAGES, SO THE ABOVE LIMITATION OR EXCLUSION MAY NOT APPLY TO THE PURCHASER.**

### *How State and Provincial law apply*

This limited warranty gives you specific legal rights, and you may also have other rights which vary from jurisdiction to jurisdiction. The provisions of the United Nations Convention on Contracts for the Sale of Goods shall not apply to this limited warranty or the sale of products covered by this limited warranty.

**Empire Comfort Systems Inc.**

**Belleville, IL**

If you have general questions about our products, please e-mail us at [info@empirecomfort.com](mailto:info@empirecomfort.com).

If you have a service or repair question, please contact your dealer.



SINCE 1932



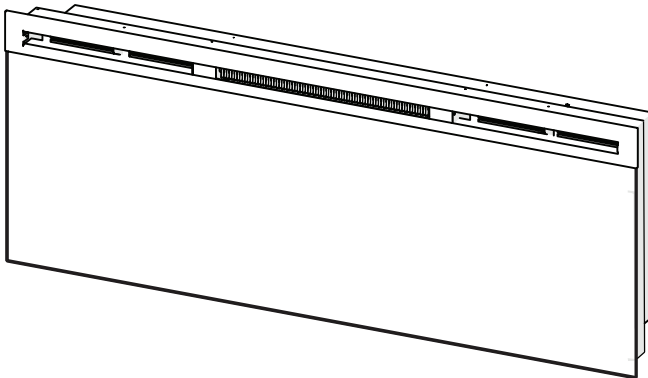
# EMPIRE

COMFORT SYSTEMS

## Manual del propietario

Modelo

EBL50



---









**INFORMACIÓN DE SEGURIDAD IMPORTANTE:** Siempre lea este manual antes de intentar instalar o usar este calentador de aire. Por su seguridad, cumpla siempre con todas las advertencias e instrucciones de seguridad que se incluyen en este manual para evitar lesiones personales o daños a la propiedad.

Para ver toda la línea de productos Empire, visite [www.empirecomfort.com](http://www.empirecomfort.com)

7213940200R02



# Índice

	Bienvenido y felicitaciones . . . . .	3
	INSTRUCCIONES IMPORTANTES . . . . .	4
	Guía de consulta rápida . . . . .	6
	Instalación del calentador de aire . . . . .	7
	Elección del emplazamiento . . . . .	7
	Instalación de la conexión alámbrica . . . . .	9
	Instalación en superficie . . . . .	11
	Instalación empotrada en la pared; marco de 2 x 4 . . . . .	13
	Instalación con montaje a ras; marco de 2 x 8 . . . . .	14
	Instalación del vidrio delantero . . . . .	16
	Funcionamiento. . . . .	17
	Mantenimiento. . . . .	20
	Garantía . . . . .	21
	Servicio Técnico . . . . .	24

Recurra siempre a un técnico calificado o a una agencia de servicio técnico para reparar este calentador de aire.

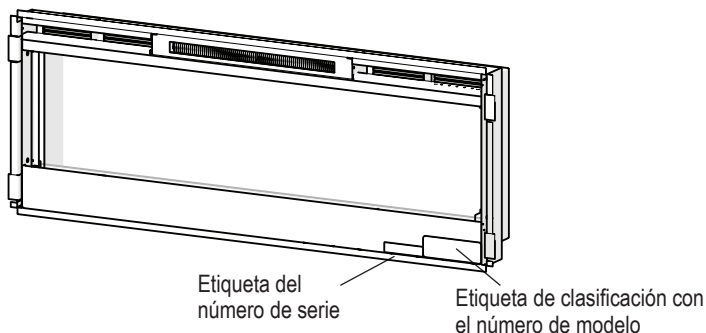
**! NOTA:** Procedimientos y técnicas que se consideran lo bastante importantes como para resaltarlos.

**! PRECAUCIÓN:** Procedimientos y técnicas que, si no se respetan atentamente, dañarán el equipo.


**! ADVERTENCIA:** Procedimientos y técnicas que, si no se respetan atentamente, expondrán al usuario a un riesgo de incendio, lesiones graves o muerte.

## Bienvenido y felicitaciones

Gracias y felicitaciones por haber adquirido una chimenea eléctrica Empire.



### Lea atentamente y guarde estas instrucciones.

 **PRECAUCIÓN:** Antes de comenzar la instalación, asegúrese de leer las instrucciones y advertencias cuidadosamente. No seguir estas instrucciones podría provocar una descarga eléctrica, un incendio y la anulación de la garantía.



**NO ES NECESARIO REGRESAR A LA TIENDA**

Si tiene preguntas generales sobre nuestros productos, envíenos un correo electrónico a [info@empirecomfort.com](mailto:info@empirecomfort.com).

Si tiene alguna pregunta sobre servicio o reparación, comuníquese con su distribuidor.



# INSTRUCCIONES IMPORTANTES

Cuando se usen aparatos eléctricos, deben respetarse una serie de precauciones básicas a fin de aminorar el riesgo de incendio, descarga eléctrica y lesiones personales.

- ① Lea todas las instrucciones antes de usar la chimenea sobrepuesta/empotrable.
- ② La chimenea se pone caliente al usarla. Para evitar quemaduras, no toque las superficies calientes con la piel al aire. El material situado alrededor de la salida de aire de la chimenea se calienta durante su funcionamiento.
- ⚠ PELIGRO:** Las temperaturas altas se pueden generar bajo ciertas condiciones anormales. No parcialmente o completamente la cubierta u obstruir el frente de este calentador.
- ③ Hay que extremar la precaución cuando se use cualquier calentador de aire cerca de los niños o inválidos o bien sean ellos quienes lo manejen y siempre que se deje el aparato en funcionamiento y sin vigilancia.
- ④ Debe vigilarse atentamente a los niños para asegurarse de que no jueguen con el aparato.
- ⑤ El aparato no ha sido diseñado para ser manejado por niños ni personas inválidas sin supervisión.
- ⑥ No opere ningún calentador de aire si no funciona correctamente. Desconecte la electricidad a partir del panel central y haga verificar la unidad

por un electricista acreditado antes de volver a utilizarla.

- ⑦ No haga funcionar la chimenea eléctrica si el cable de alimentación o el enchufe están dañados o si el calentador no funciona bien o si se ha caído o dañado de cualquier manera.
- ⑧ No lo use a la intemperie.
- ⑨ No coloque la chimenea en aquellos sitios donde pueda caer en una bañera o en cualquier otro recipiente de agua.
- ⑩ No sitúe el calefactor justo debajo de una toma de corriente fija.
- ⑪ Para desconectar el calentador de aire, apague los controles y, luego, quite el enchufe de la toma de corriente.
- ⑫ No introduzca ni deje que entren cuerpos extraños en los orificios de ventilación o escape ya que ello puede provocar una descarga eléctrica o un incendio, o bien deteriorar la chimenea.
- ⑬ Para evitar cualquier posible incendio, no bloquee la entrada ni la salida de aire bajo ningún concepto.
- ⑭ Todas las chimeneas eléctricas tienen dentro piezas calientes o que provocan chispas o arcos eléctricos. No use la chimenea en zonas en las que se empleen o almacenen gasolina.
- ⑮ No modifique la chimenea. Úsela tal como se describe en el presente manual. Cualquier otro uso que

# INSTRUCCIONES IMPORTANTES

no haya sido recomendado por el fabricante puede causar un incendio, una descarga eléctrica o lesiones a las personas.

⑯ Este aparato puede disponer de un enchufe polarizado (una patilla es más ancha que la otra). El enchufe encaja sólo en una posición en una toma de corriente polarizada. Si el enchufe no encaja bien en la toma, invierta su posición. Si aun así no encaja, acuda a un electricista cualificado para que instale la toma de corriente adecuada. No cambie el enchufe bajo ningún concepto. Siempre enchufe los calentadores de aire directamente a una toma corriente de pared/ enchufe. No utilice nunca un cable de extensión ni una conexión eléctrica relocizable (toma de corriente/barra de alimentación).

⑰ No queme madera ni otros materiales en la chimenea.


⑱ No golpee la parte frontal de cristal.


⑲ Acuda siempre a un electricista homologado para que realice la instalación del cableado integrado.

⑳ Use siempre enchufes polarizados, bien puestos a tierra y dotados de fusibles.

㉑ Desconecte el suministro de corriente (desconecte el aparato o corte el interruptor general) antes de limpiar el aparato, mantenerlo o cambiarlo de sitio.

㉒ Cuando se transporten o almacenen el aparato y el cable, manténgalos en un sitio seco y libre de vibraciones excesivas, y almacenados de modo que se evite cualquier perjuicio.

 **ADVERTENCIA:** El control remoto contiene baterías pequeñas mantenga lejos del alcance de los niños. Si se ingiere, busque atención medica de inmediato.

 **ADVERTENCIA:** No instale la batería al revés, no la cargue, no la incinere ni la mezcle con baterías usadas ni con otros tipos de baterías: esto puede causar que explote o que haya filtraciones, provocando lesiones.

**!** **NOTA:** Los cambios o modificaciones que no estén expresamente aprobados por la parte responsable del cumplimiento podrían anular la autorización del usuario para utilizar el equipo.



**PRECAUCIÓN**  
RIESGO DE DESCARGA ELÉCTRICA  
NO ABRIR - NO CONTIENE PIEZAS QUE PUEDAN  
SER REPARADAS POR EL USUARIO



## CONSERVE ESTAS INSTRUCCIONES



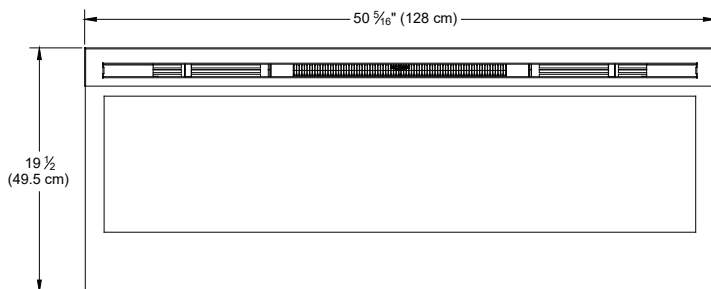
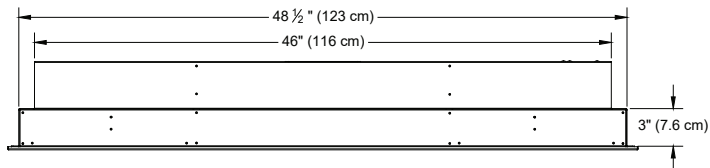
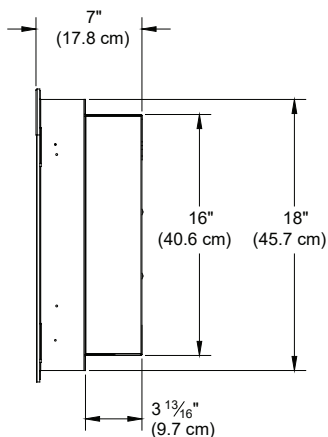
## Guía de consulta rápida

1. Puede encontrar la información eléctrica relacionada con su calentador de aire eléctrico en la etiqueta de capacidad nominal ubicada en la parte delantera de la unidad, detrás del cristal.

Antes de la instalación, anote a continuación el número de serie de su calentador de aire para cualquier consulta.

2. Si tiene alguna pregunta o consulta técnica en relación con el funcionamiento de su calentador de aire eléctrico, o requiere servicio técnico, comuníquese con el servicio de atención al cliente.
3. Para conocer las dimensiones de su calentador de aire, consulte la Figura 1.

**Figura 1**



## Instalación del calentador de aire

### Elección del emplazamiento

Revise y considere todas las condiciones de instalación que se presentan a continuación:

- Dimensiones de la unidad: 50<sup>5</sup>/<sub>16</sub> pu (128 cm) x 19<sup>1</sup>/<sub>2</sub> pu (49.5 cm)
- La unidad requiere, como mínimo, dos travesaños de pared, a fin de garantizar una instalación segura

Puede montarla de tres maneras diferentes:

- Montaje en superficie (pág. 11);
- Empotradas en la pared (pág. 13);
- Empotrada (pág. 14)

y todas cuentan con la opción de conexión alámbrica permanente o de directamente en el enchufe de pared.

**⚠ ADVERTENCIA:** La parte superior de la chimenea eléctrica debe ser instalada mínimo a 4 pulgadas (10.2 cm) del techo.

**⚠ PRECAUCIÓN:** Asegurar la instalación no permite chimenea para estar en contacto directo con barrera de vapor edificio o de aislamiento y cumple con todos los códigos de construcción local.

**! NOTA 1:** Se requiere un circuito de 15 A y 120 voltios. Es preferible disponer de un circuito exclusivo, pero no es esencial en todos los casos. Se necesita un circuito exclusivo si, después de la instalación, el disyuntor del circuito eléctrico se desconecta automáticamente o si los fusibles

se funden con frecuencia cuando el calefactor está en funcionamiento. Enchufar otros aparatos en el mismo circuito puede superar la capacidad nominal de corriente del disyuntor.

**⚠ ADVERTENCIA:** Asegúrese de que, durante la instalación, el cable de alimentación no quede comprimido ni se sitúe contra un borde afilado, y que se halle protegido o asegurado para evitar que alguien tropiece o se enganche. Esto reducirá el riesgo de incendio, descarga eléctrica o lesiones a personas.

La construcción y el cableado de la toma de corriente eléctrica deben cumplir con los códigos de construcción locales y con las demás reglamentaciones aplicables, a fin de reducir el riesgo de incendio, descarga eléctrica y lesiones a personas.

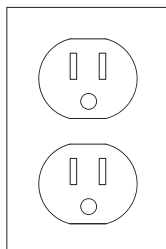
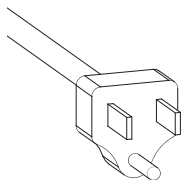
**⚠ ADVERTENCIA:** Para reducir el riesgo de incendio, no almacene ni use gasolina u otros vapores o líquidos inflamables en las proximidades del calentador.

# ✂ Instalación del calentador de aire

## Para conectar a tierra

Este producto tiene que conectarse a tierra. Si el producto no está funcionando bien o está averiado, el conectarlo a tierra proporciona una ruta de menor resistencia para que reducir la corriente eléctrica y así disminuir el riesgo sufrir una descarga eléctrica. Este producto incluye un cable con un conductor y un enchufe de conexión a tierra. El enchufe debe conectarse a una entrada debidamente instalada y conectada a tierra de acuerdo con los códigos y las ordenanzas locales.

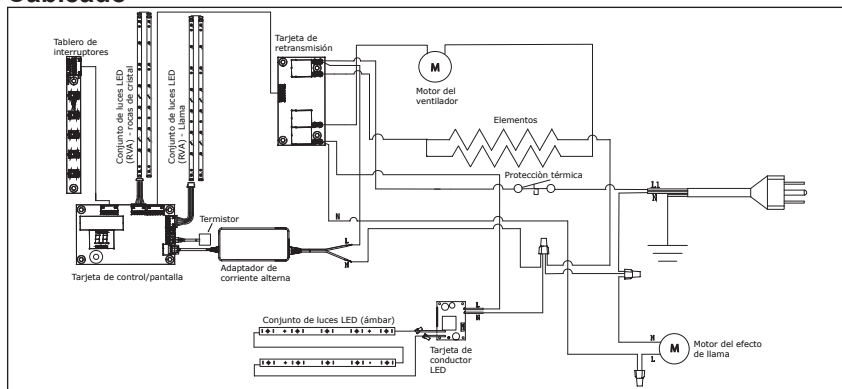
Figura 2



**⚠ PELIGRO:** Si la conexión del conductor a tierra del equipo no es la correcta corre el riesgo de sufrir una descarga eléctrica. Consulte con un electricista calificado o un técnico de servicio si no está seguro de que la conexión a tierra de este producto sea la correcta. No modifique el enchufe proporcionado del producto, si no cabe en el tomacorriente, un electricista calificado deberá instalar el tomacorriente apropiado.

Este producto está diseñado para utilizar un circuito nominal de 120v y tiene un enchufe a tierra como el que se muestra en la Figura 1. Asegúrese de que el producto esté conectado a un tomacorriente que tenga la misma configuración que el enchufe. No use ningún adaptador para este producto.

## Cableado



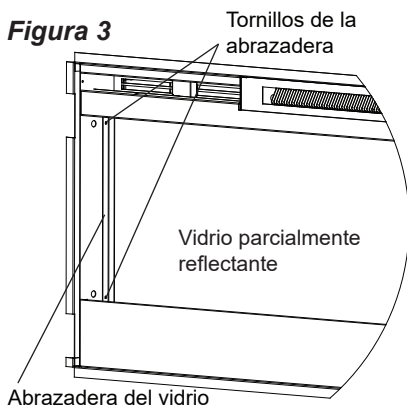


# Instalación del calentador de aire

## Instalación

1. Seleccione un sitio adecuado que no esté expuesto a la humedad y que se halle lejos de cortinas, muebles y circulación frecuente.
2. Para facilitar la conexión, es deseable situar el calentador de aire cerca de una toma de corriente ya existente (para que sea más fácil enchufarlo) (consulte la NOTA 1, pág. 7).
3. Quite de la caja el calentador de aire, el vidrio delantero y los elementos de sujeción, y quite todo el material de empaque antes de la instalación.
4. Guarde el calentador de aire en un lugar seguro, seco y sin polvo hasta que esté listo para instalar el calentador de aire.

**Figura 3**



## Instalación de la conexión alámbrica

La chimenea cuenta con un enchufe de tres clavijas para enchufarlo fácilmente. Para cualquier tipo de instalación, existe la opción de una conexión alámbrica permanente.

**⚠ ADVERTENCIA:** No intente conectar circuitos ni tomacorrientes nuevos. Para reducir el riesgo de incendio, descarga eléctrica o lesiones físicas, acuda siempre a un electricista certificado.

**⚠ ADVERTENCIA:** Asegúrese de que el circuito donde instalará la chimenea esté apagado en el panel de servicio hasta que termine la instalación.

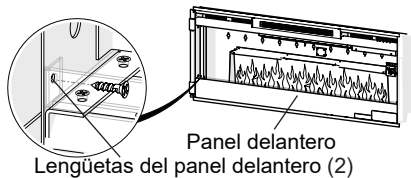
1. Retire el cristal parcialmente reflejante de la chimenea:
  - Coloque la chimenea sobre el reverso.
  - Retire los dos tornillos Phillips de los dos soportes del cristal (Figura 3).
  - Retire los soportes del cristal.
  - Con una mano mantenga presionado el cristal parcialmente reflejante, levante la chimenea e incline un poco hacia el frente para que el cristal parcialmente reflejante salga del marco interno.

**⚠ PRECAUCIÓN:** No golpee ni tire el cristal parcialmente reflejante para evitar lesiones físicas o que se rompa.

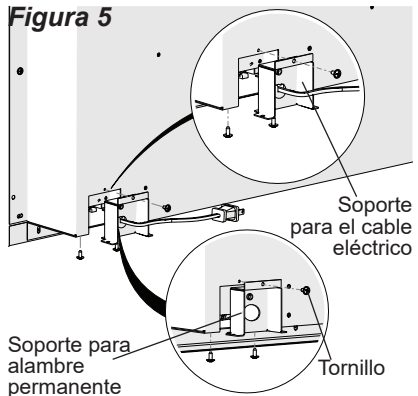
## Instalación del calentador de aire

- Retire el cristal parcialmente reflejante de la chimenea.
1. Localice el cable de alimentación y retire los 3 tornillos que conectan el soporte para el cable eléctrico, uno se encuentra en la parte posterior de la unidad y los otros dos en la parte inferior. (Figura 5)
  2. Retire los 2 tornillos Phillips del frente que sostienen las pestañas del panel frontal. Incline el panel hacia el frente y levántelo para retirarlo. (Figura 4)
  3. Destornille los tres cables conectores y sepárelos (Figura 6).
  4. Tire de la caja de conexiones y del cable de alimentación del frente de la chimenea.
  5. Sustituya el soporte para el cable eléctrico con el soporte para alambre permanente (Figura 7) y instálela utilizando los tornillos que retiró en el paso 2.
  6. Deje mínimo 3 pulgadas (7.6 cm) de holgura, dirija los cables de la toma de corriente por el orificio en el soporte para alambre permanente y asegure con una abrazadera (no incluida).
  7. Conecte el cable negro (vivo) proveniente de la unidad al cable negro del suministro eléctrico usando uno de los cables conectores que quitó en el paso 5 (Figura 6).

**Figura 4**



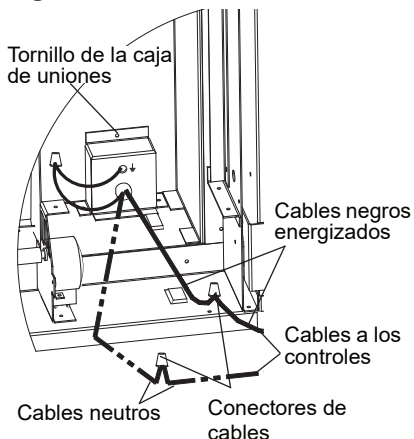
**Figura 5**



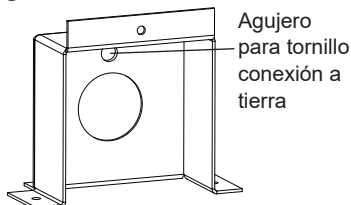
## Instalación del calentador de aire

- Conecte el cable negro acanalado (neutro) y el cable del efecto de llama blanco de la unidad al cable blanco del suministro eléctrico usando el segundo cable conector del paso 4 (Figura 6).
- Inserte el cable de tierra color verde a la tapa de conexión alámbrica con el tornillo de tierra suministrado. Coloque el cable entre el tornillo y la arandela y apriete.
- Proceda a la instalación utilizando el método de montaje deseado.

**Figura 6**



**Figura 7**



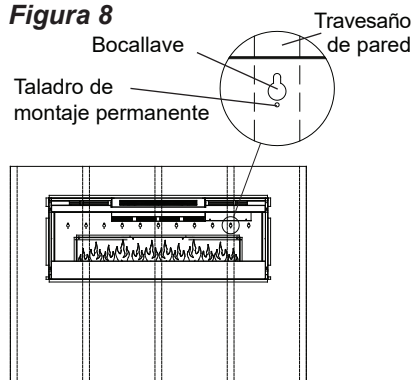
## Instalación del calentador de aire

### Instalación en cuartos de baño

Este cuerpo del calentador debe estar protegido por un receptáculo o circuito de interrupción de fallo a tierra (Ground fault interrupter, GFI) si se va a usar en el cuarto de baño. Si se usa un receptáculo, debe tener un acceso rápido.

Este aparato es un dispositivo eléctrico no impermeable y debe instalarse de modo de impedir que le ingrese agua para prevenir descargas eléctricas. Este aparato debe instalarse lejos de duchas, bañeras, etcétera. Nunca ubique el calentador de aire en un lugar donde pueda caer en la bañera o en otros contenedores de agua.

**Figura 8**




### Instalación en superficie

**⚠ PRECAUCIÓN:** Es posible que se necesiten dos personas para realizar varios pasos de este procedimiento.

1. Elija un lugar que tenga, como mínimo, dos travesaños de pared disponibles para montaje.
2. Elija su método de alimentación para la unidad:
  - Enchúfela a una toma de corriente existente o instale una toma de corriente cerca.
  - Realice el cableado permanente del calentador de aire. Siga las instrucciones de cableado permanente de la página 9.
3. Quite el vidrio parcialmente reflectante del calentador de aire:
  - Apoye el calentador de aire por su parte trasera.
  - Quite dos tornillos Phillips de cada una de las dos abrazaderas del vidrio (Figura 3, página 9).
  - Quite las abrazaderas del vidrio.
  - Manteniendo la presión con una mano sobre el vidrio parcialmente reflectante, incline el calentador de aire hacia arriba y levemente hacia adelante para permitir que el vidrio parcialmente reflectante salga del marco interno.

**⚠ PRECAUCIÓN:** No golpee ni deje caer el vidrio parcialmente reflectante, a fin de evitar roturas y lesiones personales.

## Instalación del calentador de aire

- Quite el vidrio parcialmente reflectante del calentador de aire.
4. Ubique el calentador de aire en una pared en la posición en la que lo montará (Figura 8). Use un nivel de burbuja (se suministra uno) para asegurar que el calentador de aire esté a nivel en la pared.
  5. Asegurándose de que, al menos, dos bocallaves estén alineados con un travesaño de pared (los bocallaves están espaciados por 4 pu [10.2 cm] entre centros), marque la ubicación de los cuatro tornillos en la pared (a través de los bocallaves).
  6. Quite el calentador de aire de la pared y guárdelo en un lugar seguro, alejado de las zonas de paso.
  7. Donde las ubicaciones de los tornillos marcadas no estén alineadas con un travesaño de pared, inserte (atornille) uno de los dos anclajes de pared suministrados (perfore previamente si es necesario). Repita si sólo dos (2) tornillos están alineados con un travesaño de pared.
  8. Atornille los cuatro tornillos de montaje de cabeza cuadrada n.º 8, de 1½ pu. (3.8 cm) y las arandelas a la pared y/o los anclajes de pared y deje ¼ pu. (6.5 mm) de rosca expuesta.
  9. Alinee los bocallaves seleccionados con los tornillos y cuelgue el calentador de aire en la pared. Las cabezas y las arandelas de los tornillos encajarán dentro de los bocallaves, y el calentador de aire se deslizará en su lugar (los tornillos se deslizarán dentro de la parte estrecha de los bocallaves).
  10. Apriete los cuatro tornillos de montaje al chasis del calentador de aire.
-  **PRECAUCIÓN:** Asegúrese de que al menos 2 de los tornillos de montaje estén insertados en los montantes de la pared.
11. Atornille los dos tornillos de cabeza cuadrada n.º 8 suministrados a través de dos de los taladros de montaje permanentes que se alinean con un travesaño de pared.
  12. Reemplace e instale cuidadosamente el vidrio parcialmente reflectante y las abrazaderas del vidrio usando los tornillos del paso 1.
  13. Consulte la sección Instalación del vidrio delantero para ver los procedimientos finales de instalación.

## Instalación del calentador de aire

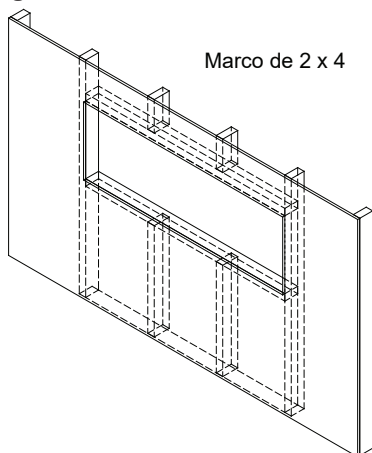
### Instalación empotrada en la pared; marco de 2 x 4

**⚠ PRECAUCIÓN:** Es posible que se necesiten dos personas para realizar varios pasos de este procedimiento.

1. Prepare una pared con un orificio enmarcado de 46½ pulg. (118.1 cm) de ancho x 16½ pulg. (42 cm) de alto (Figura 9).

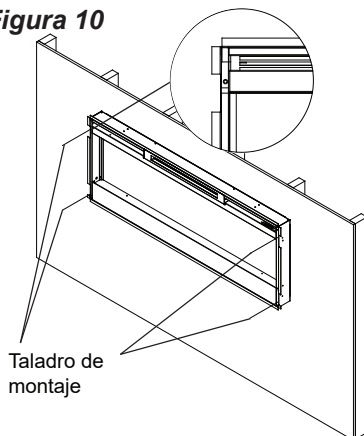
**! NOTA:** El tamaño ha permitido que 1/4 pu (6,4 mm) alrededor de la chimenea eléctrica para facilitar la instalación. Esta chimenea no requiere ventilación adicional.

**Figura 9**



2. Elija su método de alimentación para la unidad:
  - Enchufe (puede llevar el cable de alimentación hacia afuera del orificio de la pared enmarcada a una toma de corriente existente, o puede instalar una toma de corriente en un travesaño de pared cercano, dentro de la pared).
  - Realice el cableado permanente del calentador de aire (método recomendado). Siga las instrucciones de cableado permanente de la página 9.
3. Levante el calentador de aire e insértelo en el orificio (Figura 10).
4. Use un nivel de burbuja (suministrado) para nivelar el calentador de aire en el interior del marco. Ajuste según sea necesario.

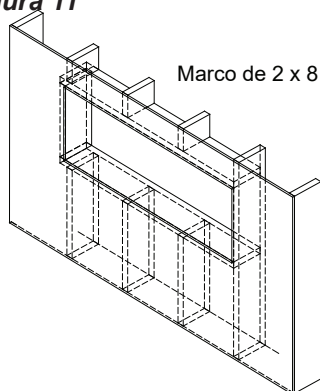
**Figura 10**



## Instalación del calentador de aire

5. Inserte los cuatro tornillos de montaje suministrados a través de los cuatro taladros de montaje, ubicados en cada esquina del chasis del calentador de aire, en los travesaños de pared (Figura 10).
6. Consulte la sección Instalación del vidrio delantero para ver los procedimientos finales de instalación.

**Figura 11**



### Instalación con montaje a ras; marco de 2 x 8

**⚠ PRECAUCIÓN:** Es posible que se necesiten dos personas para realizar varios pasos de este procedimiento.

1. Prepare una pared con un orificio enmarcado de 49 pulg. (124.5 cm) de ancho x 18½ pulg. (47 cm) de alto (Figura 11).

**! NOTA:** El tamaño ha permitido que 1/4 pu (6,4 mm) alrededor de la chimenea eléctrica para facilitar la instalación. Esta chimenea no requiere ventilación adicional.

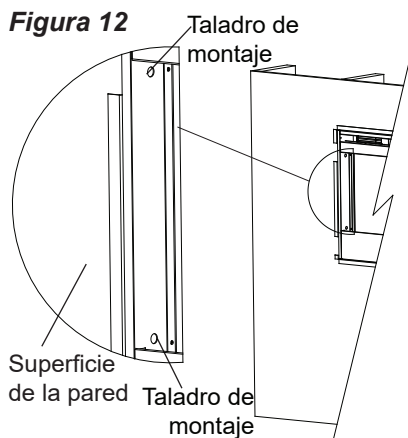
2. Elija su método de alimentación para la unidad:
  - Enchufe (puede llevar el cable de alimentación hacia afuera del orificio de la pared enmarcada a una toma de corriente existente, o puede instalar una toma de corriente en un travesaño de pared cercano, dentro de la pared).
  - Realice el cableado permanente del calentador de aire (recomendado). Siga las instrucciones de cableado permanente de la página 9.
3. Levante el calentador de aire e insértelo en el orificio. El reborde de montaje del calentador de aire debería estar a ras contra la pared (Figura 12).

## Instalación del calentador de aire

1. Use un nivel de burbuja (suministrado) para nivelar el calentador de aire en el interior del marco. Ajuste según sea necesario.
2. Inserte los cuatro tornillos de montaje suministrados a través de los cuatro taladros de montaje, ubicados en el interior de la superficie del calentador de aire, en los travesaños de pared (Figura 12).
3. Consulte la sección Instalación del vidrio delantero para ver los procedimientos finales de instalación.

### Instalación en una consola multimedia

1. Levante el calentador de aire e insértelo en el orificio.
2. Inserte los cuatro tornillos de montaje suministrados a través de los cuatro taladros de montaje, ubicados en el interior de la superficie del calentador de aire, en los travesaños de pared de la consola multimedia
3. Consulte la sección Instalación del vidrio delantero para ver los procedimientos finales de instalación.



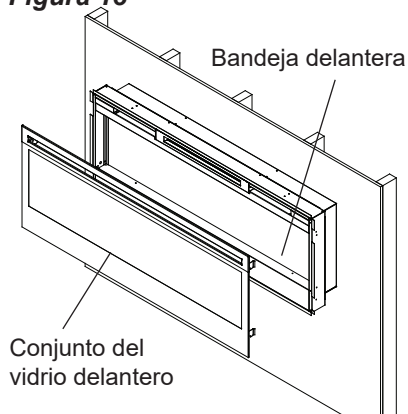


## Instalación del calentador de aire

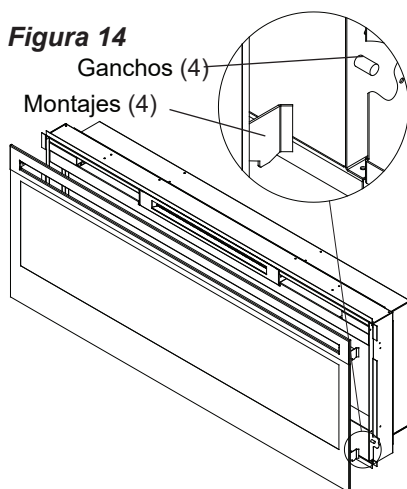
### Instalación del vidrio delantero

1. Distribuya de manera pareja la roca de vidrio suministrada en la bandeja delantera del calentador de aire (Figura 13).
2. Monte cuidadosamente el conjunto del vidrio delantero de manera que los ganchos del vidrio delantero cuelguen de los montajes del vidrio delantero del calentador de aire (Figura 14).
3. Use los dos tornillos de lámina de metal Phillips suministrados para asegurar las lengüetas del conjunto del vidrio al calentador de aire (Figura 15).
4. Si la unidad no está cableada de manera permanente, enchufe el calentador de aire a una toma de corriente de 15 A y 120 voltios (consulte la NOTA 1).

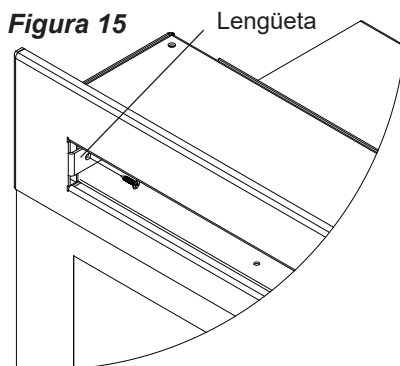
**Figura 13**



**Figura 14**

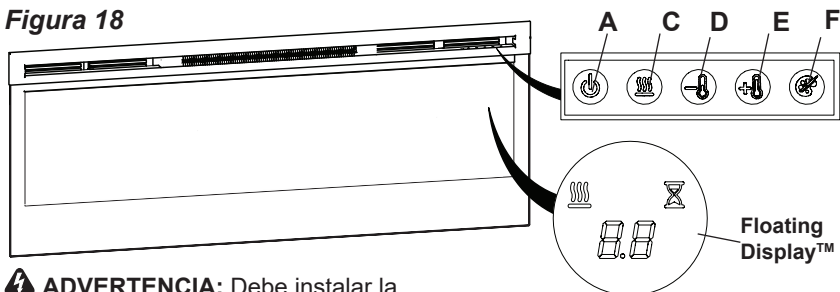


**Figura 15**



## 🔑 Funcionamiento

Figura 18



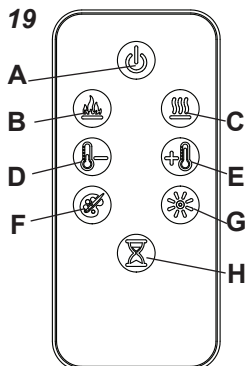
**⚠ ADVERTENCIA:** Debe instalar la cámara de combustión eléctrica de manera adecuada antes de utilizarla.

Puede controlar la unidad por control remoto y con los controles manuales, los cuales se encuentran en la parte superior derecha de la chimenea (Figuras 18 y 19).

La chimenea incluye un control remoto multifunción IR.

**! NOTA:** El control remoto debe estar orientado hacia el Floating Display™ para funcionar correctamente.

Figura 19



### A. Botón del modo de espera

Enciende y apaga la unidad


→ Se activa al presionar el botón de modo de espera en el control remoto o en la unidad.

- La unidad se encenderá con las mismas funciones que se habían configurado antes de que se apagara y la temperatura de admisión se indicará en la pantalla de datos.

**! NOTA:** Cuando presione algún botón, la temperatura de admisión aparecerá en la pantalla de datos durante 5 segundos.

### B. Efectos de llama


Enciende y apaga los efectos de llama.


→ Se activa al presionar el botón  de modo de espera en el control remoto.

## Funcionamiento


### C. Calor encendido/apagado

Enciende y apaga la calor.

→ Se activa al presionar el botón  en el control remoto o en la unidad.

- Se indicará con el ícono  y la temperatura de admisión se mostrará en la pantalla de datos durante 5 segundos antes de apagarse.

**! NOTA:** Después de que la calor está desactivado, hay un retraso de 30 segundos ventilador, donde el ventilador continuará funcionando antes de apagarse.



**! NOTA:** La unidad se puede operar en modo de **sólo calor** (sin leños ni llamas). Cuando la unidad sólo funciona como calentador, el  ícono y temperatura de admisión se mostrará continuamente en la pantalla de datos.

**! NOTA:** El calentador puede emitir un ligero olor inocuo cuando se utiliza por primera vez. Este olor es una normal y es provocado por el calentamiento inicial de las piezas internas del calentador, pero no sucederá de nuevo.



### D & E. Controles del termostato

Ajusta la temperatura establecida a sus necesidades específicas. Una vez alcanzada la temperatura deseada, el calentador se apagará. El calentador

realizará un ciclo de encendido y apagado para mantener la temperatura que haya establecido. El ajuste predeterminado de temperatura es de 72°F (22°C).



→ Para ajustarla, presione  para disminuir la temperatura establecida y  para aumentarla en el control remoto o en la unidad.



- La pantalla de datos indicará la temperatura establecida conforme la ajuste.

**! NOTA:** Presione el botón  et el botón  en la unidad durante dos segundos para cambiar la temperatura de °C a °F, o vice versa.

### Para desactivar el calentador

Si lo desea, dependiendo de la temporada, puede desactivar el calentador. La unidad funcionará de la misma manera, con un recordatorio de los controles.

Mantenga los botones  y  presionados en la unidad al mismo tiempo, durante 2 segundos para desactivar y activar el calentador.

**! NOTA:** Cuando desactive el calentador y los botones  o  estén presionados, la pantalla de datos indicará "--".


## Funcionamiento

### F. Temas de color

La unidad contiene varias combinaciones de colores de luz ambiental.

→ Se ajusta al presionar repetidamente el botón correspondiente en el control remoto o en la unidad.

- Varía entre los diferentes tipos de efectos de luz de la unidad, incluye varias combinaciones de colores de la luz de llama y la luz de los medios.

**!** **NOTA:** El último tema del ciclo es un prisma donde los ciclos de la unidad a través de una variedad de colores. Al pulsar el  botón se detiene el ciclismo y mantiene la unidad en el color preferido, indicado por una "U" - Descongelar o una "F" - congela.

### G. Brillo

Cambia el brillo de las luces en la unidad.

→ Se ajusta al presionar repetidamente el botón correspondiente en el control remoto.


- Indicado por el segundo dígito de la Floating Display™ cambia para mostrar: "H" (alto), "L" (bajo).


### H. Temporizador de apagado automático

El temporizador de apagado automático puede configurarse para que la chimenea se apague

automáticamente después de un tiempo preestablecido (de 30 minutos a 8 horas).

→ Para configurar el temporizador, presione el botón de temporizador ya sea en el control remoto o en la unidad, varias veces, hasta que la hora deseada aparezca.

- La pantalla de datos indicará los diferentes tiempos conforme se vaya ajustando. Una vez que se active el temporizador, presione el botón  para mostrar el tiempo que falta para que se apague la unidad.

**!** **NOTA:** El temporizador de apagado automático puede cancelarse en cualquier momento presionando repetidamente el botón  hasta que dicho temporizador no muestre nada en la pantalla.

### Para restablecer el interruptor de corte de corriente de la temperatura

Si el calentador se sobrecalienta, un cortacircuitos lo apagará, y no se volverá a encender si no lo reconfigura. Puede volver a activarse desconectando la unidad y esperar 5 minutos antes de enchufar la unidad interactivo.

**!** **PRECAUCIÓN:** Si es necesario restablecer el calentador de manera continua, desenchufe la unidad y llame al 1-888-346-7539 para recibir asistencia técnica.

## **Funcionamiento**

### **Reemplazo de la batería del control remoto**

Para reemplazar la batería:

1. Deslice y abra la cubierta del compartimiento de la pila en el transmisor de mano.
2. Instale correctamente una batería de 3 voltios (CR2032 [vida más larga] o CR2025) en el

- compartimento de las baterías.
3. Cierre la cubierta de la batería.



Es necesario reciclar la batería o desecharla correctamente. Consulte con las autoridades locales o con un minorista para obtener información sobre el reciclaje en su área.

## **Mantenimiento**

**⚠ ADVERTENCIA:** Para reducir el riesgo de incendio, descarga eléctrica o lesiones a personas, desconecte el suministro eléctrico y permitir que el calentador se enfríe antes de intentar cualquier tipo de mantenimiento o limpieza.

**! NOTA:** El calentador de aire no debe ser operado si hubiera acumulación de polvo o de suciedad sobre la unidad o dentro de la misma, ya que ello puede originar una acumulación de temperatura y dañar la unidad. Por ello, el calentador de aire debe ser verificado regularmente, teniendo en cuenta las condiciones y por lo menos, una vez por año.

### **Limpieza del vidrio parcialmente reflectante**

El vidrio parcialmente reflectante se limpia en la fábrica durante el proceso de ensamblaje. Durante el envío, la instalación, la manipulación, etc., el

vidrio parcialmente reflectante puede llenarse de partículas de polvo, que pueden eliminarse limpiando ligeramente con un trapo limpio y seco.

Para quitar marcas de dedos o de otro tipo, el vidrio parcialmente reflectante puede limpiarse con un trapo húmedo. El vidrio parcialmente reflectante debe secarse completamente con un trapo sin pelusa para evitar manchas de agua. Para evitar rayones, no use limpiadores abrasivos.

### **Limpieza de la superficie del calentador de aire**

Use sólo un trapo húmedo para limpiar las superficies pintadas del calentador de aire. No use limpiadores abrasivos.

### **Servicio técnico**

A excepción de la instalación y la limpieza que se describen en este manual, un representante autorizado de servicio técnico debe realizar cualquier otro servicio técnico.



## Garantía

### *Productos en los que se aplica esta garantía limitada*

Esta garantía limitada se aplica a la chimenea eléctrica Empire recientemente adquirida. Esta garantía limitada sólo cubre las compras realizadas en cualquiera de los 50 estados de los Estados Unidos de América (incluido el Distrito de Columbia), excepto Hawái y Alaska. Esta garantía limitada se aplica al comprador original del producto únicamente y no es transferible.

### *Productos excluidos de esta garantía limitada*

No están cubiertos por esta garantía limitada los productos comprados en Hawái ni Alaska. Los productos adquiridos en estos Estados se venden TAL CUAL, sin garantía ni condición de ningún tipo (que incluye, sin limitación, cualquier garantía implícita o condiciones de comerciabilidad o adecuación a un fin particular), y el riesgo total respecto de la calidad y del rendimiento de los productos recae en el comprador; y en el caso de un defecto, el comprador asume todo el costo de cualquier servicio técnico o reparación necesarios.

### *Lo que cubre la garantía y hasta cuándo*

Los productos amparados por esta garantía limitada, salvo los elementos que rodean la chimenea (dinteles) y sus rebordes, se han sometido a pruebas e inspeccionado antes de su envío y, de acuerdo con las cláusulas de esta garantía, Empire garantiza que tales productos están libres de defectos de materiales y de fabricación durante un período de 2 años a contar desde la fecha de primera compra de dichos productos.

Los elementos que rodean la chimenea (dinteles) y sus rebordes amparados por esta garantía limitada, se han sometido a pruebas e inspeccionado antes de su envío y, de acuerdo con las cláusulas de esta garantía, Empire garantiza que tales productos están libres de defectos de materiales y de fabricación durante un período de 1 año a contar desde la fecha de primera compra de dichos productos.

El período de garantía limitada por 2 años de los productos salvo los elementos que rodean la chimenea (dinteles) y rebordes y la garantía por 1 año para los elementos que rodean la chimenea (dinteles) y rebordes también aplica a cualquier garantía implícita que pueda existir de acuerdo con la legislación vigente aplicable. Algunas jurisdicciones no permiten limitaciones sobre la duración de la garantía implícita; por ello, la limitación antes mencionada puede que no se aplique al comprador.

### *Lo que esta garantía limitada no cubre*

Esta garantía limitada no se aplica a los productos reparados (salvo por Empire o sus representantes técnicos autorizados) o modificados de algún modo. Esta garantía limitada no se aplica a los defectos que se produzcan por mal uso, abuso, accidente, negligencia, instalación incorrecta, mantenimiento o manejo inadecuados, o funcionamiento con un suministro eléctrico incorrecto.

### *Lo que debe hacer para solicitar el servicio en virtud de esta garantía limitada*

Si tiene alguna pregunta sobre servicio o reparación, comuníquese con su distribuidor. Tenga a mano el comprobante de compra y los números de serie, y catálogo/modelo cuando llame. El servicio de mantenimiento bajo los términos de esta garantía limitada exige un comprobante de compra del producto.

### *En caso de defectos, Empire procederá de la siguiente manera:*

En el caso de que, durante el período (i) de 2 años de garantía limitada, se demostrase que una pieza o un producto amparado por esta garantía limitada tiene defectos de material o de fabricación, salvo los elementos que rodean la chimenea (dinteles) y rebordes y (ii) los elementos que rodean la chimenea (dinteles) y sus rebordes con una garantía limitada durante el período de 1 año, usted dispondrá de los siguientes derechos:

- Empire determinará, a su exclusivo criterio, si repara o reemplaza el producto o la pieza defectuosos sin cargo. Si

## Garantía

Empire no pudiera reparar o reemplazar el producto o la pieza, o si la reparación o el reemplazo no es comercialmente práctico o no se puede completar en forma oportuna, Empire puede determinar que, en lugar de reparar o reemplazar el producto, reintegrará al comprador el precio de compra de dicho producto o dicha pieza.

- El servicio bajo la garantía limitada será realizado únicamente por distribuidores o agentes de servicio de Empire autorizados para proporcionar servicios bajo la garantía limitada.
- Para los elementos que rodean la chimenea (dinteles) y sus rebordes, esta garantía limitada por un período de 2 años le da derecho al comprador de tener asistencia técnica in situ o en su hogar. Respectivamente, Empire será responsable del trabajo y transporte asociado a la reparación o reemplazo del producto o parte excepto en los siguientes casos: (i) cargos que se puedan cobrar por viáticos incurridos por viajar al sitio del comprador donde se encuentre el producto, en caso de que el sitio supere las 30 millas (48 km) del almacén de servicio de su distribuidor Empire o agente de servicio; y (ii) el comprador es único responsable de proporcionar libre acceso a todas las partes que necesiten servicio del producto.
- Para los elementos que rodean la chimenea (dinteles) y sus rebordes, esta garantía limitada por un período de 1 año no le da derecho al comprador de tener garantía de servicio in situ o en su hogar. El comprador es responsable del retiro y el transporte de los elementos que rodean la chimenea (dinteles) y sus rebordes (y de cualquier producto o pieza reparados o de repuesto) hacia y desde el centro de atención comercial del distribuidor autorizado o agente de servicio. Los servicios in situ o en el hogar para los elementos que rodean la chimenea (dinteles) y sus rebordes pueden realizarse a pedido específico del comprador, quien deberá asumir

el costo de los honorarios vigentes de Empire para tales servicios. Empire no se responsabiliza, ni tampoco incluirá los términos de esta garantía limitada, ningún gasto que se incurra para la instalación o el retiro de los elementos que rodean la chimenea (dinteles) o rebordes o cualquier parte del mismo (ni ningún producto o pieza de reemplazo) incluyendo, sin limitación, costos de envío y transporte desde y hacia el centro de atención comercial del distribuidor autorizado o agente de servicio ni de los costos de mano de obra. Tales costos corren por cuenta del comprador.

*De lo que tampoco son responsables ni Empire ni los distribuidores ni los técnicos de mantenimiento:*

EN NINGÚN CASO NI EMPIRE, NI SUS DIRECTIVOS, O AGENTES SERÁN RESPONSABLES ANTE EL COMPRADOR O CUALQUIER OTRA PARTE. YA SEA CONTRACTUALMENTE, EXTRA CONTRACTUALMENTE, O CON CUALQUIER OTRO CONCEPTO, DE CUALQUIER PÉRDIDA, COSTO O DAÑO INDIRECTO, ESPECIAL, PUNITIVO, EJEMPLARIZANTE, MEDIATO O INCIDENTAL, QUE SE PRODUZCA O ESTÉ RELACIONADO CON LA VENTA, MANTENIMIENTO, USO O IMPOSIBILIDAD DE USAR EL PRODUCTO, INCLUSO SI EMPIRE O SUS DIRECTIVOS, RESPONSABLES O AGENTES HAN SIDO AVISADOS DE LA POSIBILIDAD DE QUE SE PRODUZCAN DICHOS DAÑOS, PÉRDIDAS O COSTOS, O SI TALES DAÑOS, PÉRDIDAS O COSTOS SON PREVISIBLES. EN NINGÚN CASO NI EMPIRE, NI SUS DIRECTIVOS, O AGENTES SERÁN RESPONSABLES DE CUALQUIER DAÑO, PÉRDIDA O COSTO DIRECTO QUE SUPERE EL PRECIO DE COMPRA DEL PRODUCTO.

ALGUNAS JURISDICCIONES NO PERMITEN LA EXCLUSIÓN O LIMITACIÓN DE DAÑOS INCIDENTALES O MEDIATOS; POR ELLO PUEDE QUE LA LIMITACIÓN O EXCLUSIÓN ANTERIOR NO SEA APLICABLE AL COMPRADOR.



## Garantía

### *Aplicación de legislaciones provinciales y estatales*

Esta garantía limitada le proporciona derechos legales específicos y puede que usted tenga también otros derechos que varían de una jurisdicción a otra. Las cláusulas de la convención de las Naciones Unidas sobre Contratos de Venta de Mercancías no serán aplicables a esta garantía limitada ni a la venta de productos cubiertos por esta garantía limitada.



**Empire Comfort Systems Inc.**

**Belleville, IL**

Si tiene preguntas generales sobre nuestros productos, envíenos un correo electrónico a [info@empirecomfort.com](mailto:info@empirecomfort.com).

Si tiene alguna pregunta sobre servicio o reparación, comuníquese con su distribuidor.

