

EMPIRE

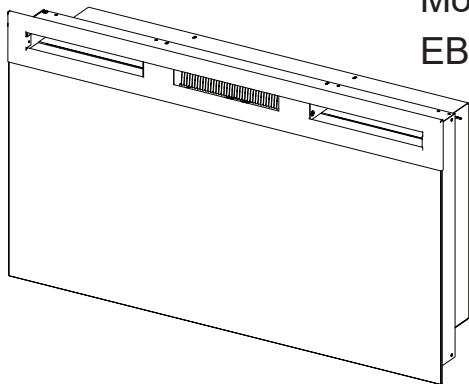
COMFORT SYSTEMS

SINCE 1932

Owner's Manual

Model

EBL34




IMPORTANT SAFETY INFORMATION: Always read this manual first before attempting to install or use this fireplace. For your safety, always comply with all warnings and safety instructions contained in this manual to prevent personal injury or property damage.

To view the full line of Empire products, please visit www.empirecomfort.com

7213990200R02



Table of Contents

	Welcome & Congratulations	3
	IMPORTANT INSTRUCTIONS	4
	Quick Reference Guide	6
	Fireplace Installation	7
	Site Selection	7
	Wiring	8
	Grounding Instructions	8
	Hardwire Installation	9
	For Bathroom Use	10
	Surface Mount Installation	10
	Partial Recessed Installation - 2x4 Framing	12
	Flush Mounted Installation - 2x8 Framing	13
	Front Glass Installation	15
	Operation	16
	Maintenance	19
	Warranty	20

Always use a qualified technician or service agency to repair this fireplace.

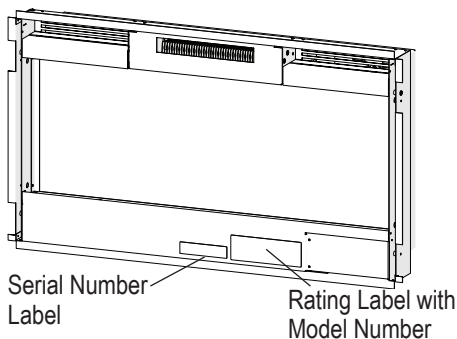
! NOTE: Procedures and techniques that are considered important enough to emphasize.

⚠ CAUTION: Procedures and techniques which, if not carefully followed, will result in damage to the equipment.

⚠ WARNING: Procedures and techniques which, if not carefully followed, will expose the user to the risk of fire, serious injury, or death.

Welcome & Congratulations

Thank you and congratulations for purchasing an electric fireplace from Empire.



Please carefully read and save these instructions.

⚠ CAUTION: Read all instructions and warnings carefully before starting installation. Failure to follow these instructions may result in a possible electric shock, fire hazard and will void the warranty.



NO NEED TO RETURN TO THE STORE

If you have general questions about our products, please e-mail us at info@empirecomfort.com.


If you have a service or repair question, please contact your dealer.

IMPORTANT INSTRUCTIONS

When using electrical appliances, basic precautions should always be followed to reduce the risk of fire, electric shock, and injury to persons, including the following:

① Read all instructions before using this electric fireplace.

② This fireplace is hot when in use. To avoid burns, do not let bare skin touch hot surfaces. The trim around the heater outlet becomes hot during heater operation.

 **DANGER:** High temperatures may be generated under certain abnormal conditions. Do not partially or fully cover or obstruct the front of this heater.

③ Extreme caution is necessary when any heater is used by or near children or invalids and whenever the unit is left operating and unattended.

④ Young children should be supervised to ensure that they do not play with the appliance.

⑤ The appliance is not intended for use by young children or infirmed persons without supervision.

⑥ Do not operate the unit after it malfunctions. Disconnect power at the service panel and have the unit inspected by a reputable electrician before reusing.

⑦ If the supply cord is damaged, it must be replaced by the manufacturer, or its service agent, or a qualified person in order to avoid a hazard.

⑧ Do not use outdoors.

⑨ Never locate fireplace where it may fall into a bathtub or other water container.

⑩ To disconnect the fireplace, turn the controls off, and turn off power to heater circuit at main disconnect panel.

⑪ Do not run the cord under carpeting. Do not cover cord with throw rugs, runners, or the like. Arrange cord away from traffic area and where it will not be tripped over.

⑫ Do not locate the heater immediately below a fixed socket-outlet.

⑬ Do not insert or allow foreign objects to enter any ventilation or exhaust opening as this may cause an electric shock or fire, or damage to the heater.

⑭ To prevent a possible fire, do not block air intakes or exhaust in any manner.

⑮ All electrical heaters have hot and arcing or sparking parts inside. Do not use in areas where gasoline, paint, or flammable liquids are used or stored.

IMPORTANT INSTRUCTIONS

⑩ Use this fireplace only as described in this manual. Any other use not recommended by the manufacturer may cause fire, electric shock or injury to persons.

⑪ Do not change the plug in any way. Always plug heaters directly into a wall outlet/receptacle. Never use with an extension cord or relocatable power tap (outlet/power strip).

⑫ Do not burn wood or other materials in the electric fireplace.


⑬ Do not strike the fireplace glass.


⑭ Always use a certified electrician should new circuits or outlets be required.

⑮ Always use properly grounded, fused and polarized outlets.

⑯ Disconnect all power supply before performing any cleaning, maintenance or relocation of the unit.

⑰ When transporting or storing the unit and cord, keep in a dry place, free from excessive vibration and store so as to avoid damage.

 **WARNING:** Remote control contains small batteries. Keep away from children. If swallowed, seek medical attention immediately.

 **WARNING:** Do not install battery backwards, charge, put in fire or mix with used or other battery types - may explode or leak causing injury.

! **NOTE:** Changes or modifications not expressly approved by the party responsible for compliance could void user's authority to operate the equipment.



CAUTION
RISK OF ELECTRIC SHOCK
DO NOT OPEN
NO USER-SERVICABLE PARTS INSIDE



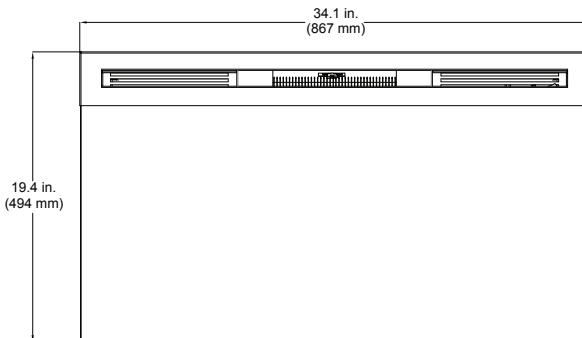
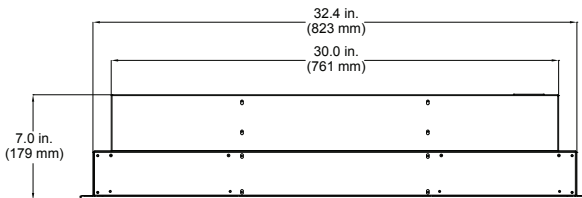
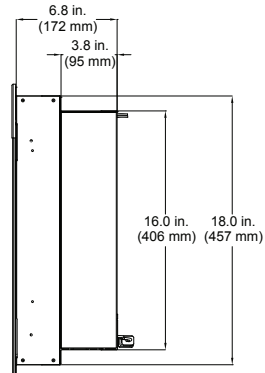
SAVE THESE INSTRUCTIONS



Quick Reference Guide

1. The electrical information regarding your electric fireplace can be found on the rating label located on the front of the unit, behind the glass.
2. If you have any technical questions or concerns regarding the operation of your electric fireplace, or require service contact customer service at 1-888-346-7539.
3. For dimensions of your fireplace, refer to Figure 1.

Figure 1



Fireplace Installation

Site Selection

Review and consider all of the following conditions before installation:

- Dimensions of the unit: 34.1 in. (867 mm) x 19.4 in. (494 mm)
- For surface installation, the unit requires a minimum of 2 wall studs in order to ensure secure installation. For other installation methods, suitable framing is required.

There are three possible mounting methods:

- Surface mount (pg. 10);
- Partial Recessed (pg. 11);
- Flush mount (pg. 12),

and any of these have the option of being hard-wired or plugged directly into the wall outlet.

⚠ WARNING: The top of the fireplace is to be installed at least 4" (10.2 cm) from the ceiling.

⚠ CAUTION: Ensure installation does not allow fireplace to be in direct contact with building vapor barrier or insulation and meets all local building code.

! NOTE 1: A 15 Amp, 120 Volt circuit is required. A dedicated circuit is preferred but not essential in all cases. A dedicated circuit will be required if, after installation, the circuit breaker trips or fuse blows on a regular basis when the heater is operating. Additional appliances

on the same circuit may exceed the current rating of the circuit breaker.

⚠ WARNING: Ensure the power cord is not installed so that it is pinched or against a sharp edge and ensure that the power cord is stored or secured to avoid tripping or snagging to reduce the risk of fire, electric shock or injury to persons.

Construction and electrical outlet wiring must comply with local building codes and other applicable regulations to reduce the risk of fire, electric shock and injury to persons.

⚠ WARNING: To reduce the risk of fire, do not store or use gasoline or other flammable vapors or liquids in the vicinity of the heater.

1. Select a location that is not susceptible to moisture and is away from drapes, furniture and high traffic.
2. For ease of electrical hook up you may wish to locate the fireplace near an existing outlet (for plug-in convenience) (refer to NOTE 1).
3. Remove fireplace, front glass and hardware from the box and remove all packaging materials before installation.
4. Store the fireplace in a safe, dry and dust free location until you are ready to install the fireplace.

Fireplace Installation

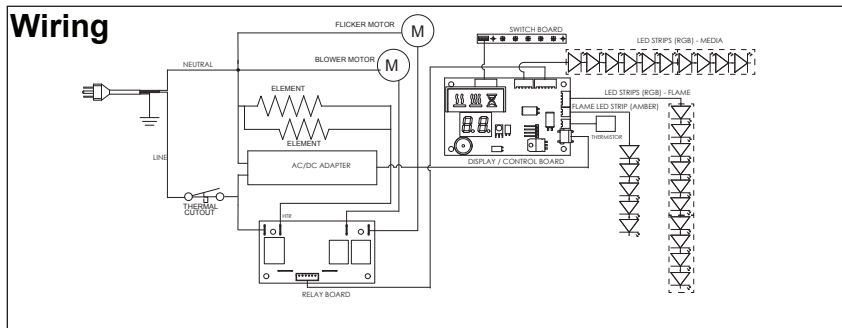
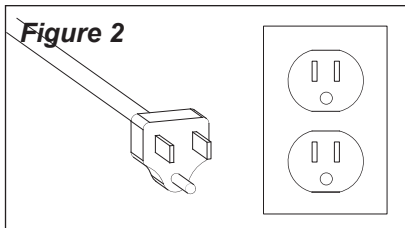
Grounding Instructions

This product must be grounded. If it should malfunction or breakdown, grounding provides a path of least resistance for electric current to reduce the risk of electric shock. This product is equipped with a cord having an equipment-grounding conductor and a grounding plug. The plug must be plugged into an appropriate outlet that is properly installed and grounded in accordance with all local codes and ordinances.

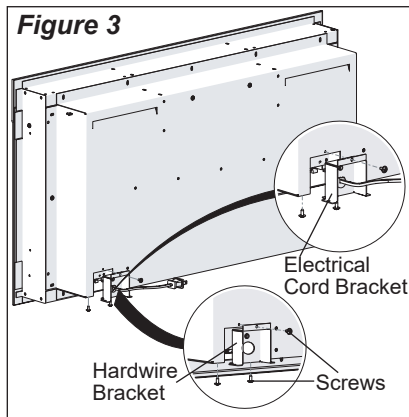
⚠ DANGER: Improper connection of the equipment-grounding conductor can result in a risk of electric shock. Check with a qualified electrician or serviceman if you are in doubt as to whether the product is properly grounded. Do not modify the plug provided with the product – if it will not fit the outlet, have a proper outlet installed by a qualified electrician.

This product is for use on a nominal

120-volt circuit and has a grounding plug that looks like the plug in Figure 1. Make sure that the product is connected to an outlet having the same configuration as the plug. No adapter should be used with this product.



Fireplace Installation



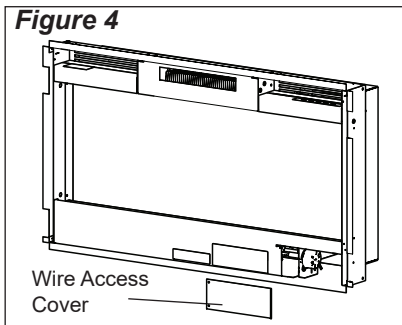
Hardwire Installation

The fireplace is provided with a three prong plug installed for plug-in convenience. Hard wiring the fireplace is also an option for any installation.

⚠ WARNING: Do not attempt to wire your own new outlets or circuits. To reduce the risk of fire, electric shock or injury to persons, always use a licensed electrician.

⚠ WARNING: Ensure that the circuit on which the fireplace is to be installed has the power cut off at the service panel until installation is complete.

1. Carefully remove the electrical cord bracket from the back of the fireplace by removing the three retaining screws. (Figure 3)
2. Remove the wire access cover off



of the unit at the front to access the wire connections. (Figure 4)

3. Pull the wires and connectors out of the back opening.
4. Unscrew the three wire connectors inside the electrical box and separate the wires.
5. Install the supplied hardwire bracket (with the $\frac{1}{2}$ " wire hole) onto the firebox. (Figure 3)
6. Leaving a minimum of 3 in. (7.6 cm) of slack, route the power supply wires through the hole in the electrical cover bracket and secure with a wire clamp (not supplied).
7. Connect the black wire (L) from the unit to the live wire from the power supply using one of the wire connectors removed in step 4.
8. Connect the blue and white wires (N) from the unit to the neutral wire from the power supply using the second wire connector from step 4.

Fireplace Installation


9. Connect the green wire (G) from the unit to the ground wire from the power supply using the third wire connector from step 4.
10. Reposition the wire access covers over the wires and connectors and attach to fireplace chassis using the screws removed in step 2.
11. Refer to Front Glass Installation section for final installation procedures.

For Bathroom Use


If this unit is installed in a bathroom it must be protected by a GFI receptacle or circuit. If receptacle is used it must be readily accessible.


To prevent electrical shock this unit is an electrical appliance that is **NOT** watertight and must be installed as to prevent water from entering unit. This must be installed away from showers, tubs, etc. Never locate fireplace where it may fall into a bathtub or other water container.

Surface Mount Installation

 **CAUTION:** Two people may be required for various steps of this procedure.

1. Choose your method of supplying power to the unit:
 - Plug in to an existing outlet or install an outlet nearby.
 - Hard wire the fireplace. Follow the hard wiring instructions on page 8.

 **WARNING:** Do not attempt to wire your own new outlets or circuits. To reduce the risk of fire, electric shock or injury to persons, always use a licensed electrician.

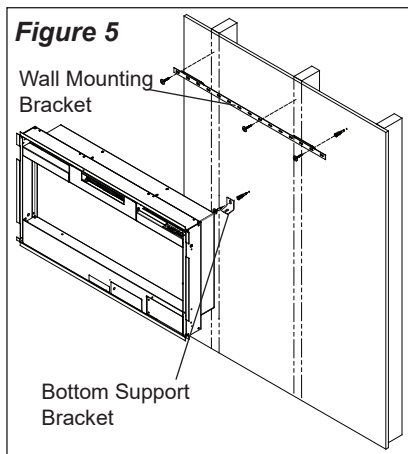
 **WARNING:** Ensure that the circuit on which the fireplace is to be installed has the power cut off at the service panel until installation is complete.

2. Determine the mounting location of the unit so that the wall mounting bracket can be installed into 2 wall studs.

! **NOTE:** It is recommended that the mounting bracket be installed 56 in. (142 cm) off of the ground to maintain an optimized viewing angle of the flame.

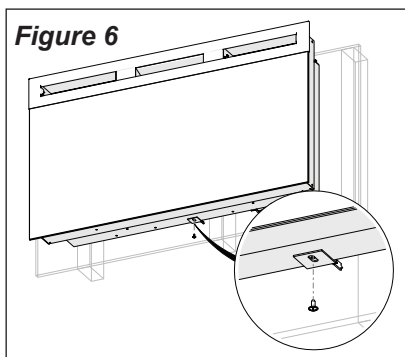
3. Hold the wall mounting bracket, with the bubble level on the top, on the wall so that the bubble on the level is centered between the two black lines.

Fireplace Installation



4. Mark the 3 mounting screw locations, on the wall, ensuring that the wall bracket stays level. (Figure 5)
5. In locations where the screws are being installed only into drywall, install the supplied wall anchors before installing the screw (pre-drill if required).
6. Secure the wall bracket to the wall using the supplied 1½ in. (3.8 cm) mounting screws and washers into the wall and/or wall anchors.
7. Install the bottom support bracket to the wall centered with the wall mounting bracket, using the appropriate mounting hardware, 13 ¾" (350 mm) below the wall mounting bracket. (Figure 5)

8. Remove the center back screw from the bottom of the fireplace. (Figure 6)
9. Hang the fireplace from the bracket.
10. Install the removed screw through the bottom support bracket into the fireplace.
11. Refer to Front Glass Installation section for final installation procedures.



Fireplace Installation

Partial Recessed Installation - 2x4 Framing

⚠ CAUTION: Two people may be required for various steps of this procedure.

1. Prepare a wall with a framed opening of 30 ½ in. (77.5 cm) wide x 16 ½ in. (42 cm) high (Figure 7).

! NOTE: The sizing has allowed for ¼ in. (6.4 mm) around the fireplace insert for ease of installation. This fireplace does not require any additional venting.

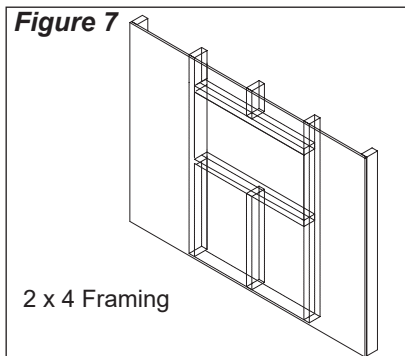
! NOTE: It is recommended that the bottom of the unit not be mounted higher than 40 in. (102 cm) from the ground to maintain an optimized viewing angle of the flame.

2. Choose your method of supplying power to the unit:
 - Plug in (you may run the power cord out of the framed wall opening to an existing outlet or install an outlet on a nearby wall stud within the wall).
 - Hard wire the fireplace (recommended). Follow the hard wiring instructions on page 8.

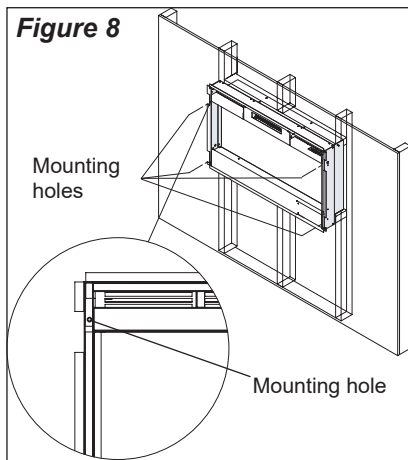
⚠ WARNING: Do not attempt to wire your own new outlets or circuits. To reduce the risk of fire, electric shock or injury to persons, always use a licensed electrician.

⚠ WARNING: Ensure that the circuit on which the fireplace is to be installed has the power cut off at the service panel until installation is complete.

3. Lift fireplace and insert into opening (Figure 8).
4. Use the supplied bubble level to level the fireplace within the framing, adjust as required.
5. Drive four supplied mounting screws through the four mounting holes located in each corner of the fireplace chassis, into wall studs (Figure 8).
6. Refer to Front Glass Installation section for final installation procedures.



Fireplace Installation



Flush Mounted Installation - 2x8 Framing

CAUTION: Two people may be required for various steps of this procedure.

1. Prepare a wall with a framed opening of 33 in. (83.8 cm) wide x 18 ½ in. (47 cm) high (Figure 9).

NOTE: The sizing has allowed for ¼ in. (6.4 mm) around the fireplace insert for ease of installation. This fireplace does not require any additional venting.

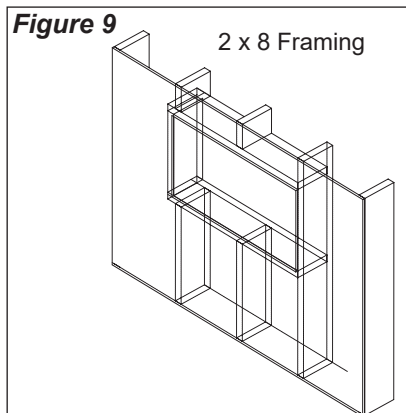
NOTE: It is recommended that the bottom of the unit not be mounted higher than 40 in. (102 cm) from the ground to maintain an optimized viewing angle of the flame.

2. Choose your method of supplying power to the unit:

- Plug in (you may run the power cord out of the framed wall opening to an existing outlet or install an outlet on a nearby wall stud within the wall).
- Hard wire the fireplace (recommended). Follow the hard wiring instructions on page 8.

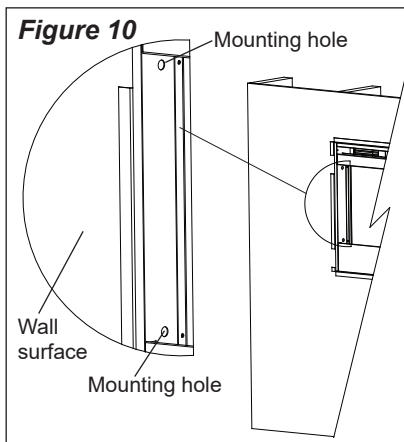
WARNING: Do not attempt to wire your own new outlets or circuits. To reduce the risk of fire, electric shock or injury to persons, always use a licensed electrician.

WARNING: Ensure that the circuit on which the fireplace is to be installed has the power cut off at the service panel until installation is complete.



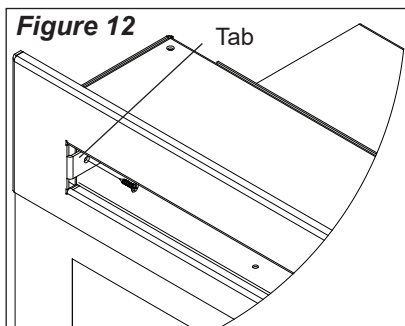
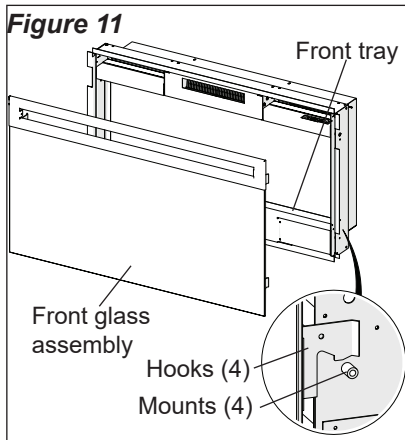
Fireplace Installation

3. Lift fireplace and insert into opening. The fireplace's mounting trim should be flush against the wall (Figure 9).
4. Use the supplied bubble level to level the fireplace within the framing, adjust as required.
5. Drive four supplied mounting screws through the four mounting holes located on the inside surface of the fireplace chassis, into wall studs (Figure 10).
6. Refer to Front Glass Installation section for final installation procedures.



Front Glass Installation

1. Pour and evenly distribute the supplied media in the Media tray of the firebox (Figure 11).
2. Carefully mount front glass assembly so that the front glass hooks hang on the front glass mounts on the fireplace (Figure 11).
3. Use the supplied two Phillips sheet metal screws to fasten the glass assembly tabs to the fireplace (Figure 12).
4. If unit is not hard-wired, plug fireplace into a 15 Amp, 120 Volt outlet (refer to NOTE 1).



👉 Operation

Figure 13

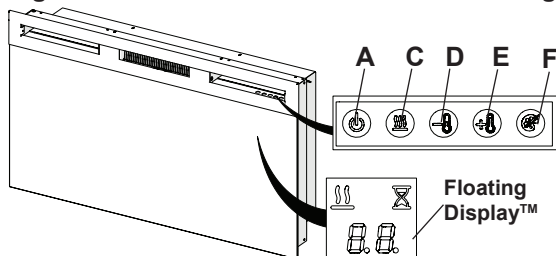
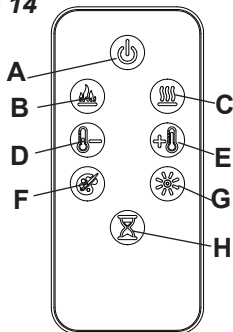


Figure 14



⚠ WARNING: This electric firebox must be properly installed before it is used.

The unit can be controlled by either the manual controls which are located on the upper right of the fireplace or the remote (Figure 13 & 14).

The fireplace is supplied with an IR multifunction remote control.

! NOTE: To operate correctly, the remote control must be pointed towards the Floating Display™.

A. Standby

Turns the unit On and Off.

→ Activated by pressing the Standby button on the remote or the unit.


- The unit will turn on with the same functions that it was set to when it was turned Off and the intake temperature will be indicated on the Floating Display™.

! NOTE: When any button is pressed the intake temperature will be displayed on the Floating

Display™ for 5 seconds.


B. Flame Effects

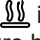
Turns the flame effect On and Off.

→ Activated by pressing the  button on the remote.

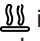
C. Heat ON/OFF

Turns the heater On and Off.

→ Activated by pressing the  button on the unit or the remote.

- Indicated by the  icon and the intake temperature being displayed on the Floating Display™, for 5 seconds before turning off.

! NOTE: After the heater is switched off, there is a 60 second fan delay, where the fan will continue running before turning off.

! NOTE: The unit can be operated in **Heat Only Mode**. When the unit is only running with the heater, the  icon will continuously be displayed on the Floating



Operation

Display™.



- ! **NOTE:** The heater may emit a slight, harmless odor when first used. This odor is a normal condition caused by initial heating of internal heater parts and will not occur again.

D & E. Thermostat Controls

Adjusts the temperature set point to your individual requirements. Once the desired set temperature is reached the heater will turn off. The heater will cycle on and off to maintain the desired set temperature. The default temperature setting is 72°F (22°C).



→ Adjusted by pressing the  to decrease the setpoint and the  to increase the setpoint on the unit or the remote.



- The Floating Display™ will indicate the temperature setpoint as it is adjusted.

- ! **NOTE:** Holding the  and the  buttons down for two seconds, on the unit, will change the temperature from °C to °F, or vice versa.

Disable Heat

If desired, depending on the season, the heater on the unit can be disabled. The unit will operate in the same fashion, with remainder of the controls.

Pressing the  and  buttons on the unit at the same time and holding for 2 seconds will disable and enable the heater.


- ! **NOTE:** When the heater has been disabled and either the  or the  is pressed the Floating Display™ will indicate "--".

F. Color Themes

Different presets of ambient lighting color combinations contained in the unit.

- Changed by repeatedly pressing the corresponding button on the remote or the unit.
- Cycles through the different preset ambient lighting settings of the unit, this includes different combinations of colours of the flame base and media lighting.

- ! **NOTE:** The last theme of the cycle is a prism where the unit cycles through a variety of colours.

Pressing the  button stops the cycling and holds the unit on the preferred color, indicated by a "U" - Unfreeze or a "F" - Freeze on the display.

Operation



G. Brightness

Changes the brightness of the lights in the unit.

- Adjusted by repeatedly pressing the corresponding button on the remote.
- Indicated by the second digit on the Floating Display™ changing to show: "H" (high), and "L" (low).

H. Sleep Timer

The Sleep Timer can be set to automatically shut off the fireplace after a preset time (from 30 minutes to 8 hours).

- To set the timer press the timer button on the remote, repeatedly, until the desired time is displayed.
 - The Floating Display™ will display the different times as it is adjusted. Once the timer has begun, pressing the  button will display the time remaining before the unit turns Off.
- !** **NOTE:** The Sleep Timer can be cancelled at any time by pressing the  button repeatedly until the sleep timer displays nothing.

Resetting the Temperature Cutoff Switch

Should the heater overheat, an automatic cut out will turn the whole unit off and it will not come back on without being reset. It can be reset by turning the power to the unit and waiting 5 minutes before turning the unit back on.

! **CAUTION:** If you need to continuously reset the heater, unplug the unit and call technical support at 1-888-346-7539.

Remote Control Battery Replacement

To replace the battery:

1. Slide battery cover open on the remote control.
2. Correctly install one 3 Volt (CR2032 [longer life] or CR2025) battery in the battery holder.
3. Close the battery cover.



Battery must be recycled or disposed of properly. Check with your Local Authority or Retailer for recycling advice in your area



Maintenance

⚠ WARNING: Disconnect power before attempting any maintenance or cleaning to reduce the risk of fire, electric shock or damage to persons.

! NOTE: The fireplace should not be operated with an accumulation of dust or dirt on or in the unit, as this can cause a build up of heat and eventual damage. For this reason the heater must be inspected regularly, depending upon conditions and at least at yearly intervals.

Partially Reflective Glass Cleaning

The partially reflective glass is cleaned in the factory during the assembly operation. During shipment, installation, handling, etc., the partially reflective glass may collect dust particles; these can be removed by dusting lightly with a clean dry cloth.

To remove fingerprints or other marks, the partially reflective glass can be cleaned with a damp cloth. The partially reflective glass should be completely dried with a lint free cloth to prevent water spots. To prevent scratching, do not use abrasive cleaners.

Fireplace Surface Cleaning

Use only a damp cloth to clean painted surfaces of the fireplace. Do not use abrasive cleaners.

Servicing

Except for installation and cleaning described in this manual, an authorized service representative should perform any other servicing.



Warranty

Products to which this limited warranty applies

This limited warranty applies to your newly purchased Empire electric fireplace. This limited warranty applies only to purchases made in any of the 50 States of the USA (and the District of Columbia) except for Hawaii and Alaska. This limited warranty applies to the original purchaser of the product only and is not transferable.

Products excluded from this limited warranty

Products purchased in Hawaii or Alaska are not covered by this limited warranty. Products purchased in these States are sold AS IS without warranty or condition of any kind (including, without limitation, any implied warranties or conditions of merchantability or fitness for a particular purpose) and the entire risk of as to the quality and performance of the products is with the purchaser, and in the event of a defect the purchaser assumes the entire cost of all necessary servicing or repair.

What this limited warranty covers and for how long

Products, other than fireplace surrounds (mantels) and trims, covered by this limited warranty have been tested and inspected prior to shipment and, subject to the provisions of this warranty, Empire warrants such products to be free from defects in material and workmanship for a period of 2 years from the date of the first purchase of such products.

Empire fireplace surrounds (mantels) and trims covered by this limited warranty have been tested and inspected prior to shipment and, subject to the provisions of this warranty, Empire warrants such products to be free from defects in material and workmanship for a period of 1 year from the date of first purchase of such products.

The limited 2 year warranty period for products other than fireplace surrounds (mantels) and trims and the limited 1 year warranty period for fireplace surrounds

(mantels) and trims also applies to any implied warranties that may exist under applicable law. Some jurisdictions do not allow limitations on how long an implied warranty lasts, so the above limitation may not apply to the purchaser.

What this limited warranty does not cover

This limited warranty does not apply to products that have been repaired (except by Empire or its authorized service representatives) or otherwise altered. This limited warranty does further not apply to defects resulting from misuse, abuse, accident, neglect, incorrect installation, improper maintenance or handling, or operation with an incorrect power source.

What you must do to get service under this limited warranty

If you have a service or repair question, please contact your dealer. Please have proof of purchase, catalogue/model and serial numbers available when calling. Limited warranty service requires a proof of purchase of the product.

What Empire will do in the event of a defect

In the event a product or part covered by this limited warranty is proven to be defective in material or workmanship during (i) the 2 year limited warranty period for products other than fireplace surrounds (mantels) and trims, and (ii) the 1 year limited warranty period for surrounds (mantels) and trims, you have the following rights:

- Empire will in its sole discretion either repair or replace such defective product or part without charge. If Empire is unable to repair or replace such product or part, or if repair or replacement is not commercially practicable or cannot be timely made, Empire may, in lieu of repair or replacement, choose to refund the purchase price for such product or part.
- Limited warranty service will be performed solely by dealers or service agents of Empire authorized to provide

Warranty

limited warranty services.

- For products other than surrounds (mantels) and trims, this 2 year limited warranty entitles the purchaser to on-site or in-home warranty services. Accordingly, Empire will be responsible for all labour and transportation associated with repairing or replacing the product or part except as follows: (i) charges which may be levied for travel costs incurred to travel to the purchaser's site where the product is located if the purchaser's site is beyond 30 miles (48 km) from the closest service depot of Empire's dealer or service agent; and (ii) the purchaser is solely responsible for providing clear access to all serviceable parts of the product.
- For surrounds (mantels) and trims, this 1 year limited warranty does not entitle the purchaser to on-site or in-house warranty services. The purchaser is responsible for removal and transportation of the surrounds (mantels) and trims (and any repaired or replacement product or part) to and from the authorized dealer's or service agent's place of business. On-site or in-home services for surrounds (mantels) and trims may be performed at the purchaser's specific request and expense at Empire's then current rates for such services. Empire will not be responsible for, and this limited warranty shall not include, any expense incurred for installation or removal of the surrounds (mantels) or trims or any part thereof (or any replacement product or part) including, without limitation, all shipping costs and transportation costs to and from the authorized dealer's or service agent's place of business and all labour costs. Such costs shall be the purchaser's responsibility.

What Empire and its dealers and service agents are also not responsible for.

IN NO EVENT WILL EMPIRE, OR ITS DIRECTORS, OFFICERS, OR AGENTS, BE LIABLE TO THE PURCHASER OR

ANY THIRD PARTY. WHETHER IN CONTRACT, IN TORT, OR ON ANY OTHER BASIS, FOR ANY INDIRECT, SPECIAL, PUNITIVE, EXEMPLARY, CONSEQUENTIAL, OR INCIDENTAL LOSS, COST, OR DAMAGE ARISING OUT OF OR IN CONNECTION WITH THE SALE, MAINTENANCE, USE, OR INABILITY TO USE THE PRODUCT, EVEN IF EMPIRE OR ITS DIRECTORS, OFFICERS, OR AGENTS HAVE BEEN ADVISED OF THE POSSIBILITY OF SUCH LOSSES, COSTS OR DAMAGES, OR IF SUCH LOSSES, COSTS, OR DAMAGES ARE FORESEEABLE. IN NO EVENT WILL EMPIRE, OR ITS OFFICERS, DIRECTORS, OR AGENTS BE LIABLE FOR ANY DIRECT LOSSES, COSTS, OR DAMAGES THAT EXCEED THE PURCHASE PRICE OF THE PRODUCT.

SOME JURISDICTIONS DO NOT ALLOW THE EXCLUSION OR LIMITATION OF INCIDENTAL OR CONSEQUENTIAL DAMAGES, SO THE ABOVE LIMITATION OR EXCLUSION MAY NOT APPLY TO THE PURCHASER.

How State and Provincial law apply

This limited warranty gives you specific legal rights, and you may also have other rights which vary from jurisdiction to jurisdiction. The provisions of the United Nations Convention on Contracts for the Sale of Goods shall not apply to this limited warranty or the sale of products covered by this limited warranty.

Empire Comfort Systems Inc.

Belleville, IL

If you have general questions about our products, please e-mail us at info@empirecomfort.com.

If you have a service or repair question, please contact your dealer.



SINCE 1932

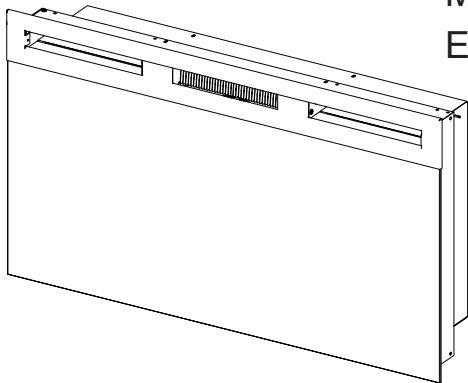
EMPIRE

COMFORT SYSTEMS

Manual del propietario

Modelo

EBL34










INFORMACIÓN IMPORTANTE DE SEGURIDAD: Siempre lea este manual antes de intentar instalar o usar esta chimenea. Por su seguridad, cumpla siempre con todas las advertencias e instrucciones de seguridad que se incluyen en este manual para evitar lesiones y daños materiales.

Para ver toda la línea de productos Empire, visite www.empirecomfort.com

7213990200R02



Índice

	Bienvenido y felicitaciones	3
	INSTRUCCIONES IMPORTANTES.	4
	Guía de consulta rápida	6
	Instalación de la chimenea	7
	Selección de la ubicación	7
	Para conectar a tierra	8
	Instalación de la conexión alámbrica	9
	Para usarse en el baño	10
	Instalación del montaje de superficie.	11
	Instalación semi-empotrada - marco de 2x4	12
	Instalación empotrada - marco de 2x8.	14
	Instalación del cristal delantero	15
	Funcionamiento.	16
	Mantenimiento.	20
	Garantía	21

Siempre consulte con un técnico calificado o una agencia de servicio para reparar esta chimenea.

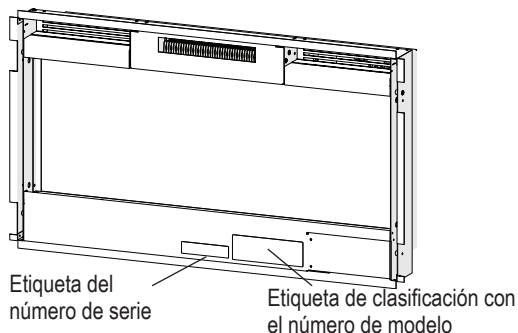
! **NOTA:** Procedimientos y técnicas importantes a tomar en cuenta.

⚠ **PRECAUCIÓN:** Procedimientos y técnicas que, si no se respetan escrupulosamente, resultará en daños el equipo.


⚠ **ADVERTENCIA:** Procedimientos y técnicas que, si no se respetan escrupulosamente, expondrán al usuario a un riesgo de incendio, lesiones graves o la muerte.

Bienvenido y felicitaciones

Gracias y felicitaciones por haber adquirido una chimenea eléctrica Empire



Lea atentamente y guarde estas instrucciones.

 **PRECAUCIÓN:** Antes de comenzar la instalación, asegúrese de leer las instrucciones y advertencias cuidadosamente. No seguir estas instrucciones podría provocar una descarga eléctrica, un incendio y la anulación de la garantía.



NO ES NECESARIO REGRESAR A LA TIENDA

Si tiene preguntas generales sobre nuestros productos, envíenos un correo electrónico a info@empirecomfort.com.


Si tiene alguna pregunta sobre servicio o reparación, comuníquese con su distribuidor.

INSTRUCCIONES IMPORTANTES

Cuando se usen aparatos eléctricos, deben respetarse una serie de precauciones básicas a fin de aminorar el riesgo de incendio, descarga eléctrica y lesiones personales.

① Lea todas las instrucciones antes de usar la chimenea sobrepuesta/empotrable.

② La chimenea se pone caliente al usarla. Para evitar quemaduras, no toque las superficies calientes con la piel al aire. El material situado alrededor de la salida de aire de la chimenea se calienta durante su funcionamiento.

 **PELIGRO:** Las temperaturas altas se pueden generar bajo ciertas condiciones anormales. No parcialmente o completamente la cubierta u obstruir el frente de este calentador.

③ Hay que extremar la precaución cuando se use cualquier calentador de aire cerca de los niños o inválidos o bien sean ellos quienes lo manejen y siempre que se deje el aparato en funcionamiento y sin vigilancia.

④ Debe vigilarse atentamente a los niños para asegurarse de que no jueguen con el aparato.

⑤ El aparato no ha sido diseñado para ser manejado por niños ni personas inválidas sin supervisión.

⑥ No opere ningún calentador de aire si no funciona correctamente. Desconecte la electricidad a partir del panel central y haga verificar la unidad por un electricista acreditado antes de volver a utilizarla.

⑦ No haga funcionar la chimenea eléctrica si el cable de alimentación o el enchufe están dañados o si el calentador no funciona bien o si se ha caído o dañado de cualquier manera.

⑧ No lo use a la intemperie.

⑨ No coloque la chimenea en aquellos sitios donde pueda caer en una bañera o en cualquier otro recipiente de agua.

⑩ Para desconectar la chimenea, apague los controles, y luego quite el enchufe del tomacorriente o desconecte el circuito en el tablero principal de desconexión.

⑪ No tienda el cable debajo de alfombras. No cubra el cable con tapetes, corredores u otras alfombrillas similares. Disponga el cable lejos de las áreas transitadas y donde no ocasione un riesgo de tropiezos.

⑫ No sitúe el calentador debajo de un tomacorriente o una caja de conexión fija.

⑬ No inserte ni permita que ningún objeto entre en los orificios de ventilación o de escape, ya que esto puede provocar una descarga eléctrica o un incendio, o bien ocasionar daños al calentador.

⑭ Para evitar cualquier posible incendio, no bloquee la entrada ni la salida de aire bajo ninguna circunstancia.

⑮ Todos los calentadores contienen piezas calientes que provocan chispas o arcos eléctricos. No lo utilice

⚠️ INSTRUCCIONES IMPORTANTES

en zonas en las que se empleen o almacene gasolina, pintura o líquidos inflamables.

⑯ Utilícese la chimenea eléctrica sólo como se indica en este manual. Cualquier otro uso que no haya sido recomendado por el fabricante puede provocar un incendio, una descarga eléctrica o lesiones físicas.

⑰ No cambie el enchufe bajo ningún concepto. Siempre enchufe los calentadores de aire directamente a una toma corriente de pared/enchufe. No utilice nunca un cable de extensión ni una conexión eléctrica relocalizable (toma de corriente/barra de alimentación).

⑱ No queme madera ni otros materiales en la chimenea.

⑲ No golpee la parte frontal de cristal.

⑳ En caso de requerirse nuevos circuitos o tomacorrientes, acuda siempre a un electricista calificado.

㉑ Use siempre enchufes polarizados, bien puestos a tierra y dotados de fusibles.

㉒ Desconecte el suministro de corriente (desconecte el aparato o

corte el interruptor general) antes de limpiar el aparato, mantenerlo o cambiarlo de sitio.

㉓ Cuando se transporten o almacenen el aparato y el cable, manténgalos en un sitio seco y libre de vibraciones excesivas, y almacénalos de modo que se evite cualquier perjuicio.

⚠️ ADVERTENCIA: El control remoto contiene baterías pequeñas. Manténgalo alejado de los niños. Si se ingiere, consulte con un médico inmediatamente.

⚠️ ADVERTENCIA: No coloque las baterías al revés, no las cargue, no las incinere ni las mezcle con otro tipo de baterías ya que podrían explotar o tener fugas, ocasionando lesiones.

! NOTA: Los cambios o las modificaciones que no hayan sido expresamente aprobados por el responsable del cumplimiento, podrían anular la autorización que el usuario tiene para utilizar dicha unidad.



PRECAUCIÓN
RIESGO DE DESCARGA ELÉCTRICA - NO ABRIR
NO CONTIENE PARTES QUE EL USUARIO
PUEDA REPARAR



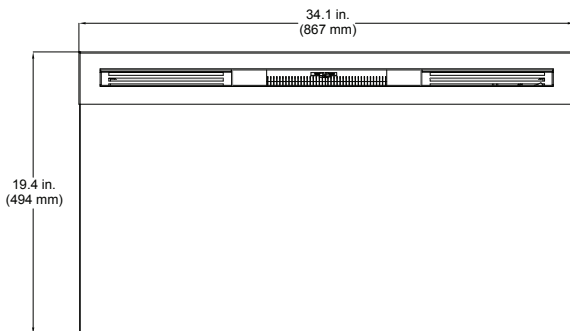
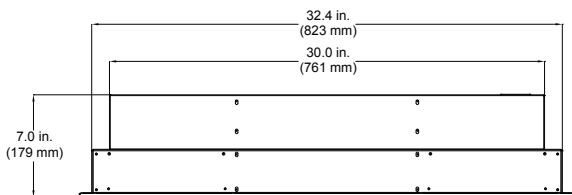
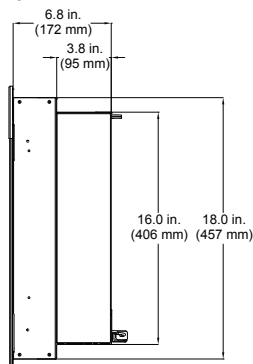
GUARDE ESTAS INSTRUCCIONES



Guía de consulta rápida

1. Toda información eléctrica sobre su chimenea eléctrica la podrá encontrar en la etiqueta de clasificación localizada al frente de la unidad, detrás del cristal.
2. Si tiene alguna pregunta técnica o inquietud respecto al funcionamiento de su chimenea eléctrica, o si requiere servicio técnico, comuníquese con el servicio al cliente.
3. Consulte la Figura 1 para obtener las dimensiones de la chimenea.

Figura 1



Instalación de la chimenea

Selección de la ubicación

Revise y tome en cuenta las condiciones siguientes antes de instalación:

- Dimensiones de la unidad:
34.1 pulgadas (867 mm) x 19.4 pulgadas. (494 mm)
- Para la instalación de la superficie, la unidad requiere un mínimo de 2 montantes de la pared con el fin de garantizar una instalación segura. Para otros métodos de instalación, se requiere encuadre adecuado.

Puede montarla de tres maneras diferentes:

- Montaje en superficie (pág. 11);
- Empotradas en la pared (pág. 12);
- Empotrada (pág. 14)

y todas cuentan con la opción de conexión alámbrica permanente o de directamente en el enchufe de pared.

⚠️ ADVERTENCIA: La parte superior de la chimenea eléctrica debe ser instalada mínimo a 4 pulgadas (10.2 cm) del techo.

⚠️ PRECAUCIÓN: Asegurar la instalación no permite chimenea para estar en contacto directo con barrera de vapor edificio o de aislamiento y cumple con todos los códigos de construcción local.

! NOTA 1: Se requiere un circuito de 15 amperios y 120 voltios.

Es preferible disponer de un circuito exclusivo, pero no es esencial en todos los casos. Si después de instalar el calentador, el disyuntor salta o el fusible se funde con cierta frecuencia durante el funcionamiento del calentador, podría necesitar un circuito exclusivo. Los aparatos adicionales que se conecten al mismo circuito podrían sobrepasar la capacidad nominal de corriente del disyuntor.

⚠️ ADVERTENCIA: Asegúrese de que el cable eléctrico no esté instalado de manera que quede prensado o aplastado contra un borde filoso, y asegúrese también de que esté bien guardado o sujeto para evitar tropiezos o enganchones y reducir así el riesgo de incendio, descarga eléctrica o lesiones físicas.

La construcción y el cableado eléctrico del tomacorriente deben cumplir con las ordenanzas de construcción municipales y con la demás reglamentación aplicable a fin de reducir el riesgo de incendio, descarga eléctrica y lesiones físicas.

⚠️ ADVERTENCIA: Para reducir el riesgo de incendios, no almacene o utilice gasolina o cualquier otro vapor o líquido inflamable cerca del calentador.

1. Seleccione un sitio adecuado que

✂ Instalación de la chimenea

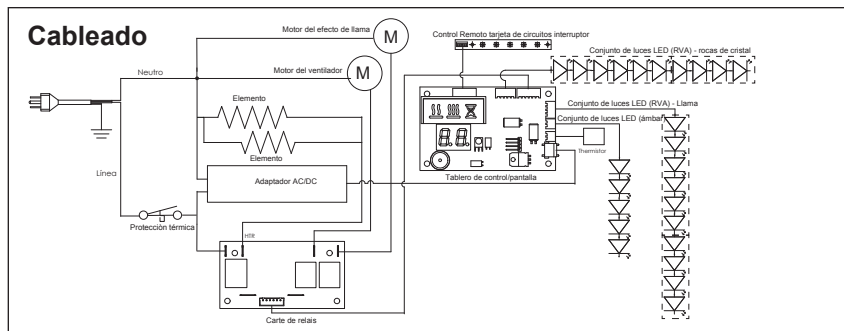
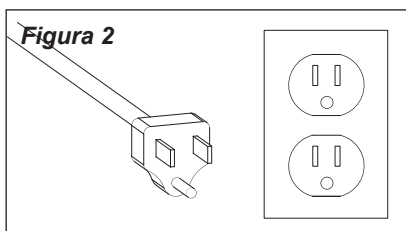
no esté expuesto a la humedad, que se encuentre alejado de cortinas y mobiliario, y por el que no se pase frecuentemente.

2. Para facilitar la conexión, puede situar la chimenea cerca de un enchufe ya existente (para enchufarla fácilmente) (consulte la NOTA 1).
3. Retire la chimenea, el cristal delantero y las piezas de la caja y quite todos los materiales de empaque antes de la instalación.
4. Coloque la chimenea en un lugar seguro, seco y libre del polvo hasta que esté listo para instalarla.

Para conectar a tierra

Este producto tiene que conectarse a tierra. Si el producto no está funcionando bien o está averiado, el conectarlo a tierra proporciona una ruta de menor resistencia para que reduzca la corriente eléctrica y así disminuir el riesgo de sufrir una descarga eléctrica. Este producto incluye un cable con un conductor y un enchufe de conexión a tierra. El enchufe debe conectarse a una entrada debidamente instalada y conectada a tierra de acuerdo con los códigos y las ordenanzas locales.

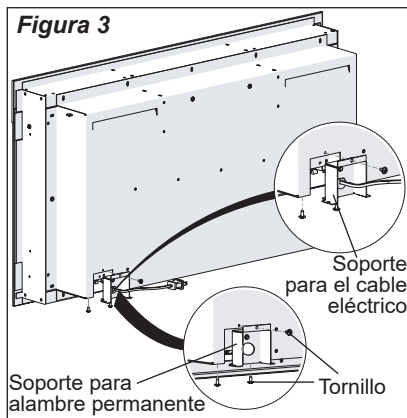
⚠ PELIGRO: Si la conexión del conductor a tierra del enchufe no es



Instalación de la chimenea

la correcta corre el riesgo de sufrir una descarga eléctrica. Consulte con un electricista calificado o un técnico de servicio si no está seguro de que la conexión a tierra de este producto sea la correcta. No modifique el enchufe proporcionado del producto, si no cabe en el tomacorriente, un electricista calificado deberá instalar el tomacorriente apropiado.

Este producto está diseñado para utilizar un circuito nominal de 120v y tiene un enchufe a tierra como el que se muestra en la Figura 1. Asegúrese de que el producto esté conectado a un tomacorriente que tenga la misma configuración que el enchufe. No use ningún adaptador para este producto.



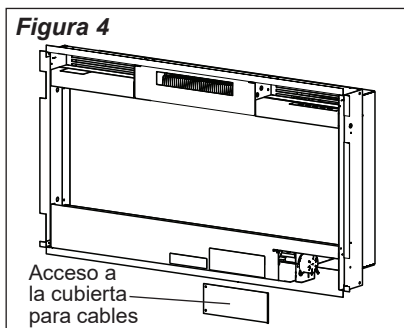
Instalación de la conexión alámbrica

La chimenea cuenta con un enchufe de tres clavijas para enchufarlo fácilmente. Para cualquier tipo de instalación, existe la opción de una conexión alámbrica permanente.

⚠ ADVERTENCIA: No intente conectar circuitos ni tomacorrientes nuevos. Para reducir el riesgo de incendio, descarga eléctrica o lesiones físicas, acuda siempre a un electricista certificado.

⚠ ADVERTENCIA: Asegúrese de que se haya cortado la alimentación en el panel de servicio del circuito en el que se debe instalar el calentador de aire hasta finalizar la instalación.

1. Retire los tres tornillos y, con cuidado, retire el cable eléctrico de la parte trasera de la chimenea. (Figura 3)
2. Retire la tapa de la unidad ubicada



Instalación de la chimenea

- al frente para tener acceso a las conexiones eléctricas. (Figura 4)
3. Tire hacia afuera los cables y conectores de la abertura trasera.
 4. Destornille los tres cables conectores que se encuentran dentro de la caja eléctrica y sepárelos.
 5. Instale el soporte para la conexión permanente (con el orificio del cable de ½ pulgada) hacia la cámara de combustión. (Figura 3)
 6. Dejando al menos 3 pulgadas (7.6 cm) de holgura, dirija los cables del suministro eléctrico por el orificio en la tapa del soporte eléctrico y asegure con una abrazadera (no incluida).
 7. Conecte el cable negro (L) proveniente de la unidad al cable bajo tensión del suministro eléctrico usando uno de los cables conectores que quitó en el paso 4.
 8. Conecte los cables azules y blanco (N) proveniente de la unidad al cable neutro del suministro eléctrico usando el segundo cable conector del paso 4.
 9. Conecte el cable verde (G) proveniente de la unidad al cable tierra del suministro eléctrico usando el tercera cable conector del paso 4.
 10. Coloque nuevamente la tapa del soporte eléctrico sobre los cables y conectores e inserte en el chasis de la cámara de combustión con los tornillos que quitó en el paso 2.
 11. Consulte la sección de instalación del cristal delantero para conocer el proceso final de instalación.

Para usarse en el baño

Si instala esta unidad en el baño, deberá contar con un receptáculo o circuito con interruptor por fallo a tierra. Si usa un receptáculo, éste debe estar a la mano.

Esta unidad no es impermeable y debe instalarse de manera que **NO** entre en contacto con agua para evitar descargas eléctricas. Debe instalarse lejos de regaderas, tinas, etc. Nunca coloque la chimenea en sitios donde pueda caer en una bañera o en otro recipiente con agua.

Instalación de la chimenea

Instalación del montaje de superficie

⚠ PRECAUCIÓN: Se requiere de dos personas para diferentes pasos de este procedimiento.

1. Elija el método para suministrar energía a la unidad:
 - Conectarla en un enchufe existente o instalar uno cerca de la unidad.
 - Para instalar el cableado permanente para la chimenea. Siga las instrucciones de programación en la página 8.

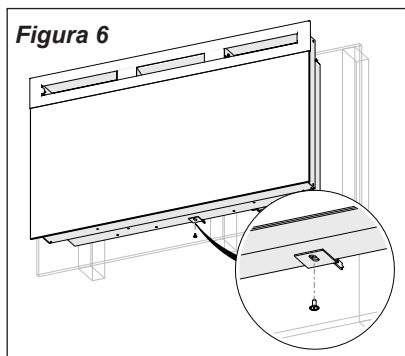
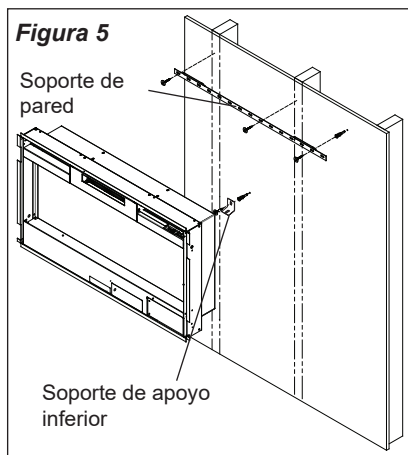
⚠ ADVERTENCIA: No intente conectar circuitos ni tomacorrientes nuevos. Para reducir el riesgo de incendio, descarga eléctrica o lesiones físicas, acuda siempre a un

electricista certificado.

- ⚠ ADVERTENCIA:** Asegúrese de que se haya cortado la alimentación en el panel de servicio del circuito en el que se debe instalar el calentador de aire hasta finalizar la instalación.
2. Determine en dónde se va a montar la unidad para que el soporte de pared se instale en 2 vigas.

! NOTA: Se recomienda que el soporte para la montura se instale a 56 pulgadas (142 cm) del piso para optimizar el ángulo de visión de la flama.

3. Con el nivel de burbuja en la parte superior, coloque en la pared el soporte de montaje de pared de modo que la burbuja del nivel quede centrada entre las dos líneas negras.
4. Marque las 3 posiciones de los tornillos de montaje,



Instalación de la chimenea

asegurándose de que el soporte de pared permanezca nivelado. (Figura 5)

5. Instale los taquetes suministrados antes de instalar los tornillos, cuide que los tornillos se instalen en el yeso (si es necesario, perforo).
6. Asegure el soporte de pared con el tornillo de 1½ pulgadas (3.8 cm) y las arandelas de montaje suministrados en la pared y/o en los taquetes. Asegure el soporte de pared con el tornillo de 1½ pulgadas (3.8 cm) y las arandelas en la pared y/o en los taquetes.
7. Con ayuda de las herramientas de montaje adecuadas, instale el soporte inferior a la pared de modo que éste quede centrada con respecto al soporte de montaje, a 13 ¾ pulgadas (350 mm) debajo del soporte de pared. (Figura 5)
8. Retire el tornillo central de la parte posterior de la chimenea. (Figura 6)
9. Cuelgue la chimenea del soporte.
10. Instale el tornillo que quitó a través del soporte y en la chimenea.
11. Consulte la sección de instalación del cristal delantero para conocer el proceso final de instalación.

Instalación semi-empotrada - marco de 2x4

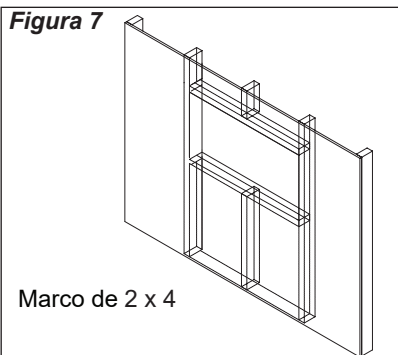
⚠ PRECAUCIÓN: Se requiere de dos personas para diferentes pasos de este procedimiento.

1. Prepare una pared con una abertura de 30 pulgadas (77.5 cm) de ancho x 16 ½ pulgadas (42 cm) de alto (Figura 7).

! NOTA: Un espacio de ¼ pulgadas (6.4 mm) permite que la instalación de la chimenea sea más fácil. Esta chimenea no requiere ventilación adicional.

! NOTA: Se recomienda que la parte inferior de la unidad no quede montada a una altura superior a 40 pulgadas (102 cm) del piso para mantener el ángulo óptimo de visualización de la flama.

2. Elija el método para suministrar energía a la unidad:



Instalación de la chimenea

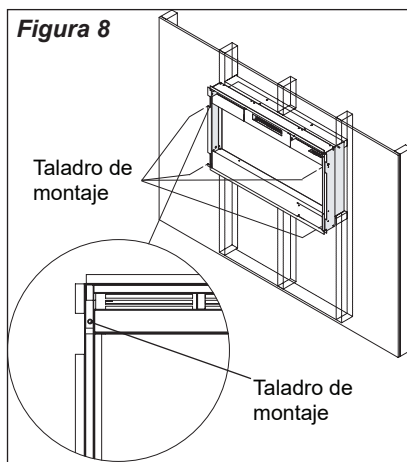
- Enchufe (puede sacar el cable de alimentación fuera de la abertura del marco de la pared hacia un tomacorriente o instalar uno cerca de la viga en la pared).
- Para instalar el cableado permanente para la chimenea (recomendado). Siga las instrucciones de programación en la página 8.

⚠ ADVERTENCIA: No intente conectar circuitos ni tomacorrientes nuevos. Para reducir el riesgo de incendio, descarga eléctrica o lesiones físicas, acuda siempre a un electricista certificado.

⚠ ADVERTENCIA: Asegúrese de que se haya cortado la alimentación en el panel de servicio del circuito en el que se debe instalar el calentador de aire hasta finalizar la instalación.

3. Levante la chimenea e insértela en la abertura (Figura 8).
4. Use el nivel de burbuja suministrado para nivelar la chimenea en el marco, ajuste según sea necesario.
5. Inserte los cuatro tornillos para el montaje en los cuatro orificios localizados en cada una de las esquinas del chasis de la chimenea y luego en las vigas (Figura 8).
6. Consulte la sección de instalación

del cristal delantero para conocer el proceso final de instalación.



Instalación de la chimenea

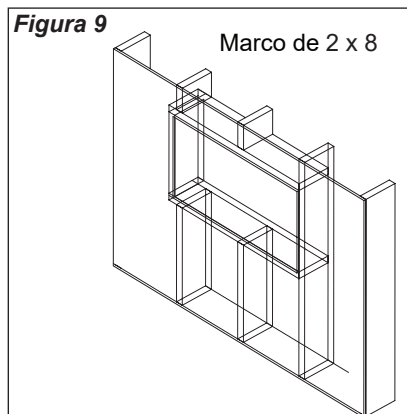
Instalación empotrada - marco de 2x8

⚠ PRECAUCIÓN: Se requiere de dos personas para diferentes pasos de este procedimiento.

1. Prepare una pared con una abertura de 33 pulgadas (83.8 cm) de ancho x 18 ½ pulgadas (47 cm) de alto (Figura 9).

! NOTA: Un espacio de ¼ pulgadas (6.4 mm) permite que la instalación de la chimenea sea más fácil. Esta chimenea no requiere ventilación adicional.

! NOTA: Se recomienda que la parte inferior de la unidad no quede montada a una altura superior a 40 pulgadas (102 cm) del piso para mantener el ángulo óptimo de visualización de la flama.



2. Elija el método para suministrar energía a la unidad:
 - Enchufe (puede sacar el cable de alimentación fuera de la abertura del marco de la pared hacia un tomacorriente o instalar uno cerca de la viga en la pared).
 - Para instalar el cableado permanente para la chimenea (recomendado). Siga las instrucciones de programación en la página 8.

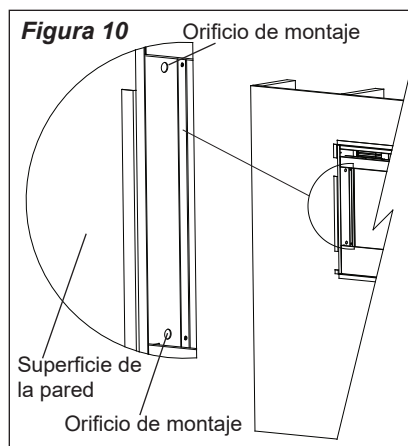
⚠ ADVERTENCIA: No intente conectar circuitos ni tomacorrientes nuevos. Para reducir el riesgo de incendio, descarga eléctrica o lesiones físicas, acuda siempre a un electricista certificado.

⚠ ADVERTENCIA: Asegúrese de que se haya cortado la alimentación en el panel de servicio del circuito en el que se debe instalar el calentador de aire hasta finalizar la instalación.

3. Levante la chimenea e insértela en la abertura. El borde de la montura de la chimenea debe empotrarse contra la pared (Figura 9).
4. Use el nivel de burbuja suministrado para nivelar la chimenea en el marco, ajuste según sea necesario.
5. Inserte los cuatro tornillos suministrados para el montaje en los cuatro orificios localizados dentro del chasis de la chimenea y luego

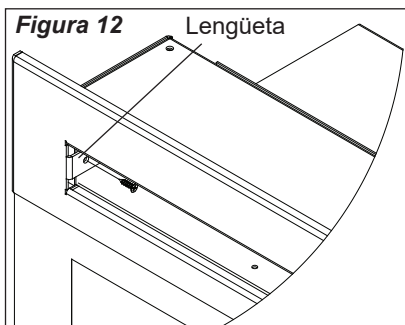
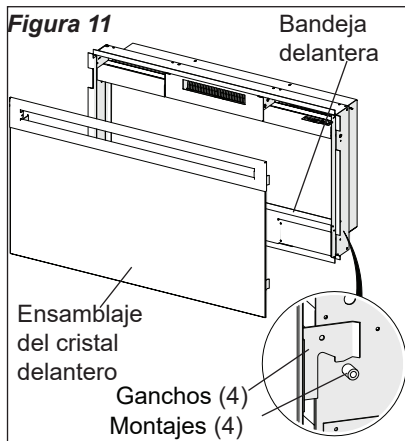
en las vigas (Figura 10).

6. Consulte la sección de instalación del cristal delantero para conocer el proceso final de instalación.



Instalación del cristal delantero

1. Vierta y distribuya de manera uniforme los medios suministrados en la bandeja de medios de la chimenea (Figura 11).
2. Monte con cuidado el ensamblaje del cristal delantero para que los ganchos del mismo se monten en el cristal delantero en la chimenea (Figura 11).
3. Use los tornillos de chapa metálica Phillips para asegurar las tablas del montaje del cristal a la chimenea (Figura 12).



4. Si no va a instalar la chimenea de manera permanente, enchufe la unidad a un tomacorriente de 15 amperios y 120 voltios (consulte la NOTA 1).

👉 Funcionamiento

Figura 13

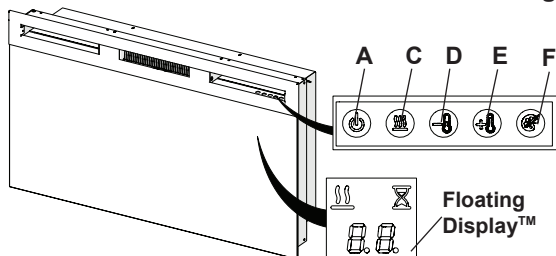
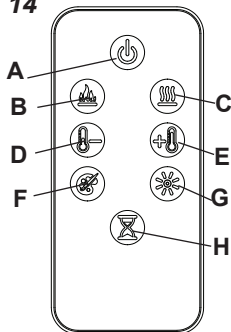


Figura 14



⚠ ADVERTENCIA: Debe instalar la cámara de combustión eléctrica de manera adecuada antes de utilizarla. Puede controlar la unidad por control remoto y con los controles manuales, los cuales se encuentran en la parte superior derecha de la chimenea (Figuras 13 y 14).

La chimenea incluye un control remoto multifunción IR.

! NOTA: El control remoto debe estar orientado hacia el Floating Display™ para funcionar correctamente.

A. Botón del modo de espera

Enciende y apaga la unidad

→ Se activa al presionar el botón de modo de espera en el control remoto o en la unidad.


- La unidad se encenderá con las mismas funciones que se habían configurado antes de que se apagara y la temperatura de admisión

se indicará en el Floating Display™.

! NOTA: Cuando presione algún botón, la temperatura de admisión aparecerá en el Floating Display™ durante 5 segundos.


B. Efectos de llama

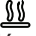
Enciende y apaga la efectos de llama.

→ Se activa al presionar el botón  de modo de espera en el control remoto.

C. Calor encendido/apagado


Enciende y apaga la calor.

→ Se activa al presionar el botón  en el control remoto o en la unidad.

- Se indicará con el ícono  y la temperatura de admisión se mostrará en el Floating Display™ durante 5 segundos antes de apagarse.

Funcionamiento

! **NOTA:** Después de que la calor está desactivado, hay un retraso de 30 segundo ventilador, donde el ventilador continuará funcionando antes de apagarse.

! **NOTA:** La unidad se puede operar en modo de **sólo calor** (sin leños ni llamas). Cuando la unidad sólo funciona como calentador, el  ícono y temperatura de admisión se mostrará continuamente en el Floating Display™.



! **NOTA:** El calentador puede emitir un ligero olor inocuo cuando se utiliza por primera vez. Este olor es una normal y es provocado por el calentamiento inicial de las piezas internas del calentador, pero no sucederá de nuevo.

D & E. Controles del termostato

Ajusta la temperatura establecida a sus necesidades específicas.



Una vez alcanzada la temperatura deseada, el calentador se apagará.

El calentador realizará un ciclo de encendido y apagado para mantener la temperatura que haya establecido. El ajuste predeterminado de temperatura es de 72°F (22°C).

→ Para ajustarla, presione  para disminuir la temperatura establecida y  para aumentarla en el control remoto o en la unidad.



• El Floating Display™ indicará la temperatura establecida conforme



la ajuste.

! **NOTA:** Presione el botón  et el botón  en la unidad durante dos segundos para cambiar la temperatura de °C a °F, o vice versa.

Para desactivar el calentador

Si lo desea, dependiendo de la temporada, puede desactivar el calentador. La unidad funcionará de la misma manera, con un recordatorio de los controles.

Mantenga los botones  y  presionados en la unidad al mismo tiempo, durante 2 segundos para desactivar y activar el calentador.

! **NOTA:** Cuando desactive el calentador y los botones  o  estén presionados, el Floating Display™ indicará "--".

F. Temas de color


La unidad contiene varias combinaciones de colores de luz ambiental.

→ Se ajusta al presionar repetidamente el botón correspondiente en el control remoto o en la unidad.

• Varía entre los diferentes tipos de efectos de luz de la unidad, incluye varias combinaciones de colores de la luz de llama y la luz de los medios.

! **NOTA:** El último tema del ciclo es un prisma donde los ciclos de la unidad a través de una variedad

Funcionamiento

de colores. Al pulsar el  botón se detiene el ciclo y mantiene la unidad en el color preferido, indicado por una "U" - Descongelar o una "F" - congela.


G. Brillo

Cambie el brillo de las luces en la unidad.


- Se ajusta al presionar repetidamente el botón correspondiente en el control remoto.
- Indicado por el segundo dígito de la Floating Display™ cambia para mostrar: "H" (alto), "L" (bajo).

H. Temporizador de apagado automático

El temporizador de apagado automático puede configurarse para que la chimenea se apague automáticamente después de un tiempo preestablecido (de 30 minutos a 8 horas).

- Para configurar el temporizador, presione el botón de temporizador ya sea en el control remoto, varias veces, hasta que la hora deseada aparezca.
- El Floating Display™ indicará los diferentes tiempos conforme se vaya ajustando. Una vez que se active el temporizador, presione el botón  para mostrar el tiempo que falta para que se apague la unidad.

! NOTA: El temporizador de apagado automático puede cancelarse

en cualquier momento presionando repetidamente el botón  hasta que dicho temporizador no muestre nada en la pantalla.

Para restablecer el interruptor de corte de corriente de la temperatura

Si el calentador se sobrecalienta, un cortacircuitos lo apagará, y no se volverá a encender si no lo reconfigura. Puede volver a activarse girando el poder de la unidad y esperar 5 minutos antes de encender de nuevo la unidad.

! PRECAUCIÓN: Si es necesario restablecer el calentador de manera continua, desenchufe la unidad y llame al 1-888-346-7539 para recibir asistencia técnica.

Reemplazo de la batería del control remoto

Para reemplazar la batería:

1. Deslice y abra la cubierta del compartimiento de la pila en el transmisor de mano.
2. Instale correctamente una batería de 3 voltios (CR2032 [vida más larga] o CR2025) en el compartimiento de las baterías.
3. Cierre la cubierta de la batería.



Es necesario reciclar la batería o desecharla correctamente. Consulte con las autoridades locales o con un minorista para obtener información sobre el reciclaje en su área.



Mantenimiento

⚠ ADVERTENCIA: Para reducir el riesgo de incendio, descarga eléctrica o lesiones a personas, desconecte el suministro eléctrico y permitir que el calentador se enfríe antes de intentar cualquier tipo de mantenimiento o limpieza.

! NOTA: El calentador de aire no debe ser operado si hubiera acumulación de polvo o de suciedad sobre la unidad o dentro de la misma, ya que ello puede originar una acumulación de temperatura y dañar la unidad. Por ello, el calentador de aire debe ser verificado regularmente, teniendo en cuenta las condiciones y por lo menos, una vez por año.

Limpeza del vidrio parcialmente reflectante

El vidrio parcialmente reflectante se limpia en la fábrica durante el proceso de ensamblaje. Durante el envío, la instalación, la manipulación, etc., el vidrio parcialmente reflectante puede llenarse de partículas de polvo, que pueden eliminarse limpiando ligeramente con un trapo limpio y seco.

Para quitar marcas de dedos o de otro tipo, el vidrio parcialmente reflectante puede limpiarse con un trapo húmedo. El vidrio parcialmente reflectante debe secarse completamente con un trapo sin pelusa para evitar manchas de

agua. Para evitar rayones, no use limpiadores abrasivos.

Limpeza de la superficie del calentador de aire

Use sólo un trapo húmedo para limpiar las superficies pintadas del calentador de aire. No use limpiadores abrasivos.

Servicio técnico

A excepción de la instalación y la limpieza que se describen en este manual, un representante autorizado de servicio técnico debe realizar cualquier otro servicio técnico.



Garantía

Productos en los que se aplica esta garantía limitada

Esta garantía limitada se aplica a la chimenea eléctrica Empire recientemente adquirida. Esta garantía limitada sólo cubre las compras realizadas en cualquiera de los 50 estados de los Estados Unidos de América (incluido el Distrito de Columbia), excepto Hawái y Alaska. Esta garantía limitada se aplica al comprador original del producto únicamente y no es transferible.

Productos excluidos de esta garantía limitada

No están cubiertos por esta garantía limitada los productos comprados en Hawái ni Alaska. Los productos adquiridos en estos Estados se venden TAL CUAL, sin garantía ni condición de ningún tipo (que incluye, sin limitación, cualquier garantía implícita o condiciones de comerciabilidad o adecuación a un fin particular), y el riesgo total respecto de la calidad y del rendimiento de los productos recae en el comprador; y en el caso de un defecto, el comprador asume todo el costo de cualquier servicio técnico o reparación necesarios.

Lo que cubre la garantía y hasta cuándo

Los productos amparados por esta garantía limitada, salvo los elementos que rodean la chimenea (dinteles) y sus rebordes, se han sometido a pruebas e inspeccionado antes de su envío y, de acuerdo con las cláusulas de esta garantía, Empire garantiza que tales productos están libres de defectos de materiales y de fabricación durante un período de 2 años a contar desde la fecha de primera compra de dichos productos.

Los elementos que rodean la chimenea (dinteles) y sus rebordes amparados por esta garantía limitada, se han sometido a pruebas e inspeccionado antes de su envío y, de acuerdo con las cláusulas de esta garantía, Empire garantiza que tales productos están libres de defectos de materiales y de fabricación durante un período de 1 año a contar desde la fecha de primera compra de dichos productos.

El período de garantía limitada por 2 años de los productos salvo los elementos que rodean la chimenea (dinteles) y rebordes y la garantía por 1 año para los elementos que rodean la chimenea (dinteles) y rebordes también aplica a cualquier garantía implícita que pueda existir de acuerdo con la legislación vigente aplicable. Algunas jurisdicciones no permiten limitaciones sobre la duración de la garantía implícita; por ello, la limitación antes mencionada puede que no se aplique al comprador.

Lo que esta garantía limitada no cubre

Esta garantía limitada no se aplica a los productos reparados (salvo por Empire o sus representantes técnicos autorizados) o modificados de algún modo. Esta garantía limitada no se aplica a los defectos que se produzcan por mal uso, abuso, accidente, negligencia, instalación incorrecta, mantenimiento o manejo inadecuados, o funcionamiento con un suministro eléctrico incorrecto.

Lo que debe hacer para solicitar el servicio en virtud de esta garantía limitada

Si tiene alguna pregunta sobre servicio o reparación, comuníquese con su distribuidor. Tenga a mano el comprobante de compra y los números de serie, y catálogo/modelo cuando llame. El servicio de mantenimiento bajo los términos de esta garantía limitada exige un comprobante de compra del producto.

En caso de defectos, Empire procederá de la siguiente manera:

En el caso de que, durante el período (i) de 2 años de garantía limitada, se demostrase que una pieza o un producto amparado por esta garantía limitada tiene defectos de material o de fabricación, salvo los elementos que rodean la chimenea (dinteles) y rebordes y (ii) los elementos que rodean la chimenea (dinteles) y sus rebordes con una garantía limitada durante el período de 1 año, usted dispondrá de los siguientes derechos:

- Empire determinará, a su exclusivo criterio, si repara o reemplaza el producto o la pieza defectuosos sin cargo. Si



Garantía

Empire no pudiera reparar o reemplazar el producto o la pieza, o si la reparación o el reemplazo no es comercialmente práctico o no se puede completar en forma oportuna, Empire puede determinar que, en lugar de reparar o reemplazar el producto, reintegrará al comprador el precio de compra de dicho producto o dicha pieza.

- El servicio bajo la garantía limitada será realizado únicamente por distribuidores o agentes de servicio de Empire autorizados para proporcionar servicios bajo la garantía limitada.
- Para los elementos que rodean la chimenea (dinteles) y sus rebordes, esta garantía limitada por un período de 2 años le da derecho al comprador de tener asistencia técnica in situ o en su hogar. Respectivamente, Empire será responsable del trabajo y transporte asociado a la reparación o reemplazo del producto o parte excepto en los siguientes casos: (i) cargos que se puedan cobrar por viáticos incurridos por viajar al sitio del comprador donde se encuentre el producto, en caso de que el sitio supere las 30 millas (48 km) del almacén de servicio de su distribuidor Empire o agente de servicio; y (ii) el comprador es único responsable de proporcionar libre acceso a todas las partes que necesiten servicio del producto.
- Para los elementos que rodean la chimenea (dinteles) y sus rebordes, esta garantía limitada por un período de 1 año no le da derecho al comprador de tener garantía de servicio in situ o en su hogar. El comprador es responsable del retiro y el transporte de los elementos que rodean la chimenea (dinteles) y sus rebordes (y de cualquier producto o pieza reparados o de repuesto) hacia y desde el centro de atención comercial del distribuidor autorizado o agente de servicio. Los servicios in situ o en el hogar para los elementos que rodean la chimenea (dinteles) y sus rebordes pueden realizarse a pedido específico del comprador, quien deberá asumir

el costo de los honorarios vigentes de Empire para tales servicios. Empire no se responsabiliza, ni tampoco incluirá los términos de esta garantía limitada, ningún gasto que se incurra para la instalación o el retiro de los elementos que rodean la chimenea (dinteles) o rebordes o cualquier parte del mismo (ni ningún producto o pieza de reemplazo) incluyendo, sin limitación, costos de envío y transporte desde y hacia el centro de atención comercial del distribuidor autorizado o agente de servicio ni de los costos de mano de obra. Tales costos corren por cuenta del comprador.

De lo que tampoco son responsables ni Empire ni los distribuidores ni los técnicos de mantenimiento:

EN NINGÚN CASO NI EMPIRE, NI SUS DIRECTIVOS, O AGENTES SERÁN RESPONSABLES ANTE EL COMPRADOR O CUALQUIER OTRA PARTE. YA SEA CONTRACTUALMENTE, EXTRA CONTRACTUALMENTE, O CON CUALQUIER OTRO CONCEPTO, DE CUALQUIER PÉRDIDA, COSTO O DAÑO INDIRECTO, ESPECIAL, PUNITIVO, EJEMPLARIZANTE, MEDIATO O INCIDENTAL, QUE SE PRODUZCA O ESTÉ RELACIONADO CON LA VENTA, MANTENIMIENTO, USO O IMPOSIBILIDAD DE USAR EL PRODUCTO, INCLUSO SI EMPIRE O SUS DIRECTIVOS, RESPONSABLES O AGENTES HAN SIDO AVISADOS DE LA POSIBILIDAD DE QUE SE PRODUZCAN DICHOS DAÑOS, PÉRDIDAS O COSTOS, O SI TALES DAÑOS, PÉRDIDAS O COSTOS SON PREVISIBLES. EN NINGÚN CASO NI EMPIRE, NI SUS DIRECTIVOS, O AGENTES SERÁN RESPONSABLES DE CUALQUIER DAÑO, PÉRDIDA O COSTO DIRECTO QUE SUPERE EL PRECIO DE COMPRA DEL PRODUCTO.

ALGUNAS JURISDICCIONES NO PERMITEN LA EXCLUSIÓN O LIMITACIÓN DE DAÑOS INCIDENTALES O MEDIATOS; POR ELLO PUEDE QUE LA LIMITACIÓN O EXCLUSIÓN ANTERIOR NO SEA APLICABLE AL COMPRADOR.



Garantía

Aplicación de legislaciones provinciales y estatales

Esta garantía limitada le proporciona derechos legales específicos y puede que usted tenga también otros derechos que varían de una jurisdicción a otra. Las cláusulas de la convención de las Naciones Unidas sobre Contratos de Venta de Mercancías no serán aplicables a esta garantía limitada ni a la venta de productos cubiertos por esta garantía limitada.

Empire Comfort Systems Inc.

Belleville, IL

Si tiene preguntas generales sobre nuestros productos, envíenos un correo electrónico a info@empirecomfort.com.

Si tiene alguna pregunta sobre servicio o reparación, comuníquese con su distribuidor.

