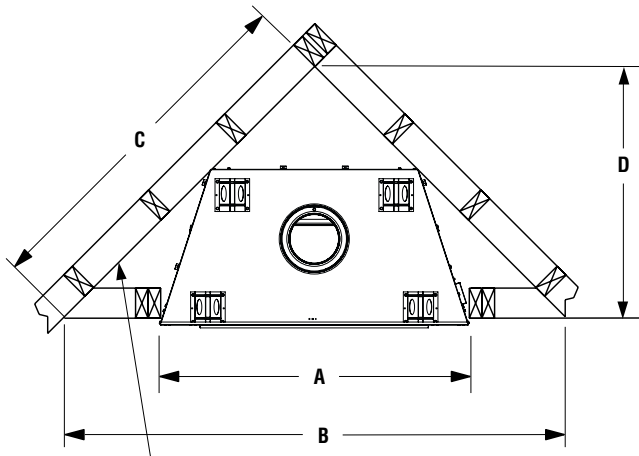


DRT6300 40/45 SERIES

DIRECT-VENT FIREPLACES

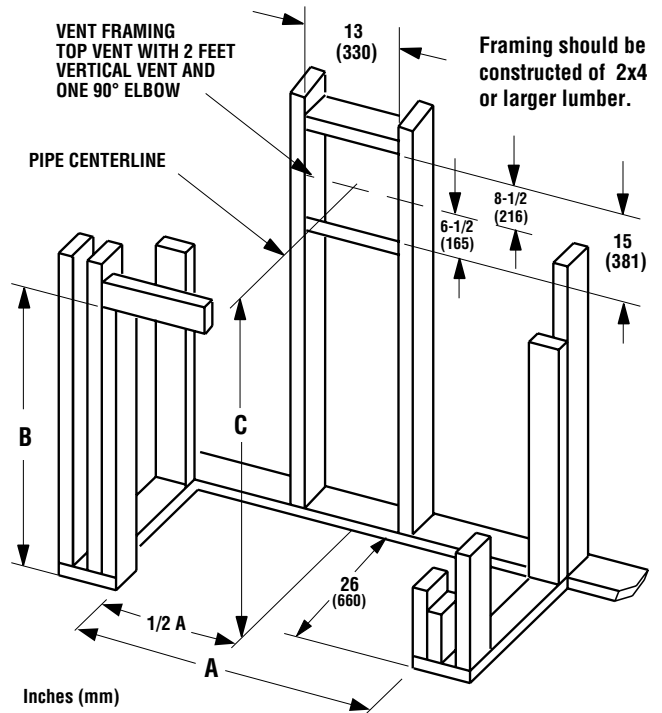
Framing Dimensions



Back wall of chase/enclosure
(including any finishing materials)

Models	A	B	C	D
40" Models	50-5/8" 1286 mm	83-5/8" 2124 mm	59-1/8" 1502 mm	41-7/8" 1064 mm
45" Models	56-3/4" 1441 mm	89-7/8" 2283 mm	63-1/2" 1613 mm	44-7/8" 1140 mm

Diagrams, illustrations and photographs are not to scale. Consult installation instructions. Product designs, materials, dimensions, specifications, colors, and prices are subject to change or discontinuance without notice.

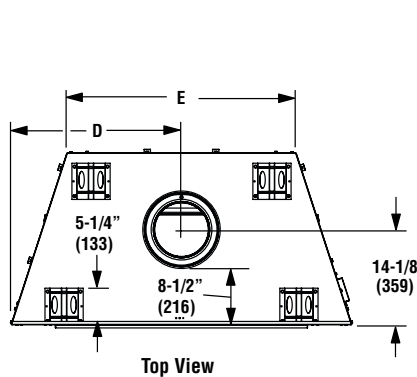


Inches (mm)

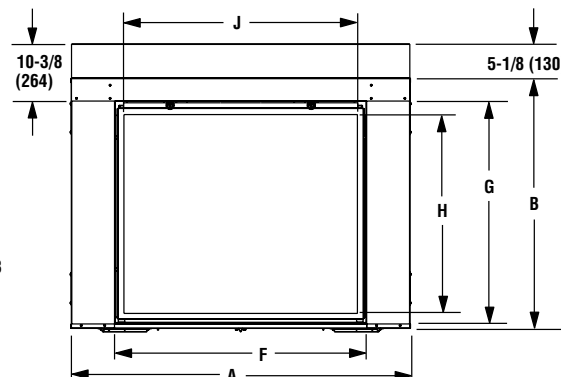
Models	A	B	C
40" Models	50-3/4" 1289 mm	45" 1143 mm	75-1/8" 1908 mm
45" Models	56-7/8" 1445 mm	50" 1270 mm	80-1/8" 2035 mm

Fireplace Dimensions

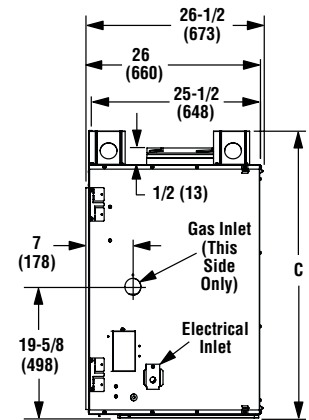
Models	A	B	C	D	E	F	G	H	J
40" Models	50-5/8" 1286 mm	39-1/4" 997 mm	45" 1143 mm	25-3/8" 645 mm	34" 864 mm	37-5/8" 956 mm	33-1/8" 841 mm	29-3/8" 746 mm	34-3/4" 883 mm
45" Models	56-3/4" 1442 mm	44-1/4" 1124 mm	50" 1270 mm	28-3/8" 721 mm	40-1/8" 1019 mm	43-5/8" 1108 mm	38-1/8" 968 mm	34-1/2" 876 mm	41" 1041 mm



Top View



Front View



Right Side View

DRT6300 40/45 SERIES

Product Info

Cat. No.	Model	Weight	Cu. Ft.
F2208	DRT6340TEN	258 lb.	48.3
F2212	DRT6340TEP	258 lb.	48.3
F2209	DRT6345TEN	300 lb.	58.0
F2211	DRT6345TEP	300 lb.	58.0
F2210	DRC6340TEN	258 lb.	48.3
F2214	DRC6340TEP	258 lb.	48.3
F2213	DRC6345TEN	300 lb.	58.0
F2215	DRC6345TEP	300 lb.	58.0

Listing



Listed by PFS Corporation to - Z21.50 (in Canada, CSA-2.22), and CAN/CGA-2.17-M91 in both USA and Canada, as vented gas fireplaces.

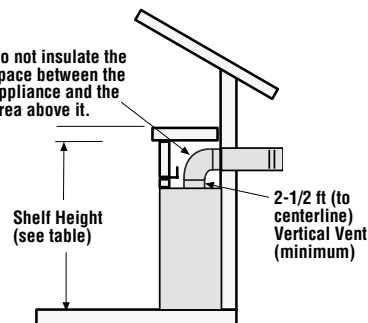
Report No. F14-106

Shelf Height

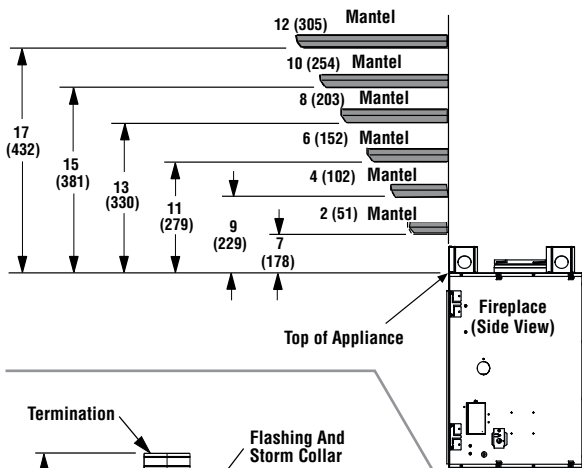
Combustible Shelf Height - Inches (millimeters)	
Top Vent - with 2 Feet Vertical Vent and One 90 Degree Elbow	
Model	Secure Vent ®
40"	*84-1/8 (2137)
45"	*89-1/8 (2264)

* Includes 3" clearance to combustibles (required above vent components)

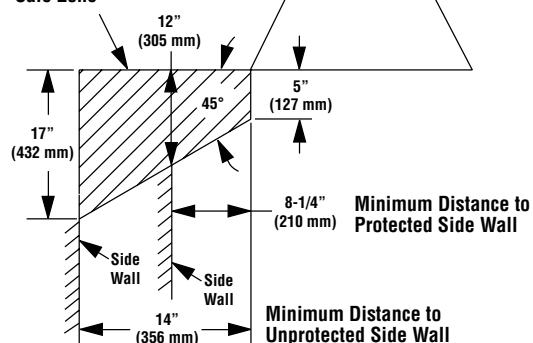
Do not insulate the space between the appliance and the area above it.



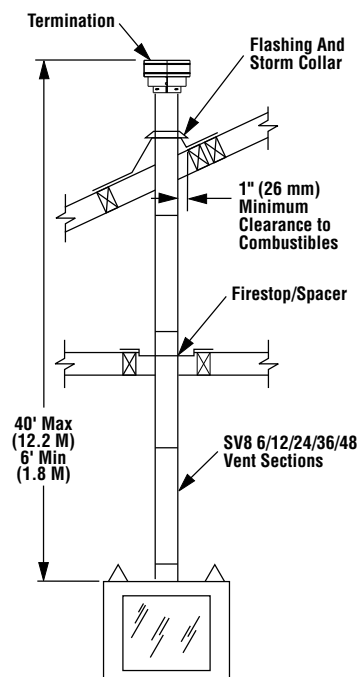
Clearances



Combustible Materials Allowed in Shaded Area "Safe Zone"

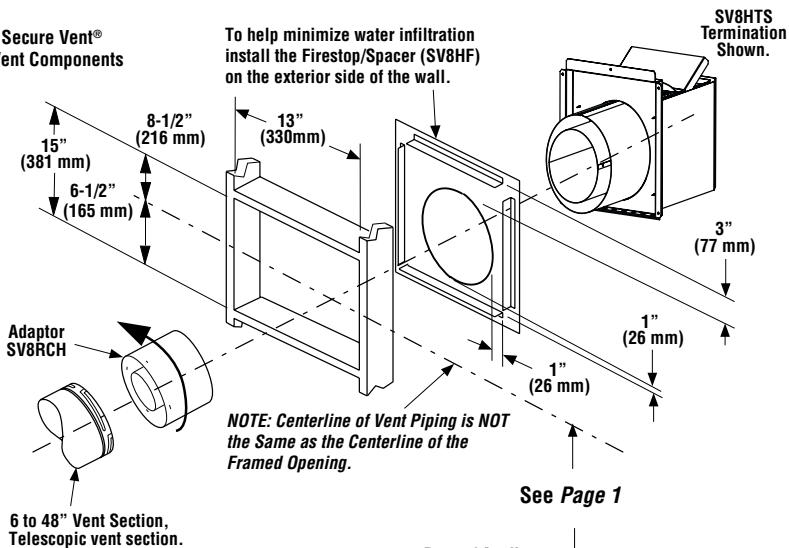


Venting



Uses 8" / 11" Secure Vent® Rigid Direct-Vent Components

To help minimize water infiltration install the Firestop/Spacer (SV8HF) on the exterior side of the wall.



NOTE: Centerline of Vent Piping is NOT the Same as the Centerline of the Framed Opening.

See Page 1

Base of Appliance

NOTE: DIAGRAMS & ILLUSTRATIONS ARE NOT TO SCALE.
Printed in U.S.A. © 2016 Innovative Hearth Products
P/N 900626-01 REV. NC 04/2016

Specifications and clearances are subject to change without notice. Refer to Installation Manual before installation of these appliances for updated dimensions and instructions.

Page 2 of 2

