

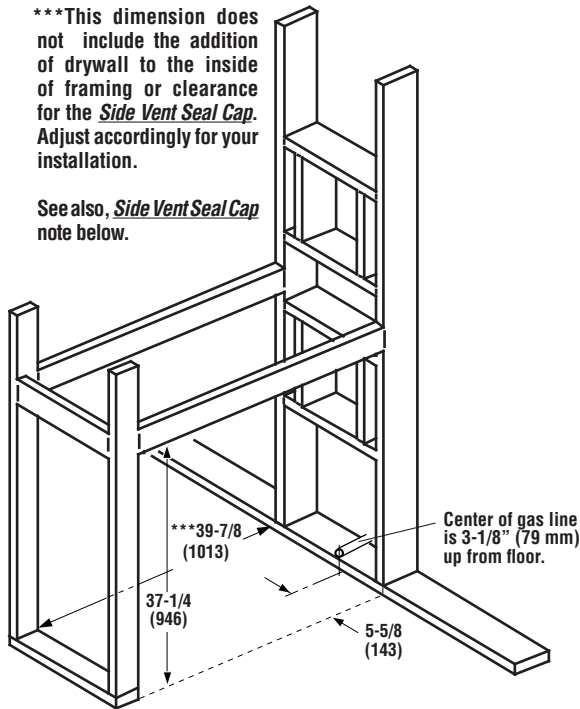
DRT35ST SERIES

DIRECT-VENT SEE-THROUGH FIREPLACES

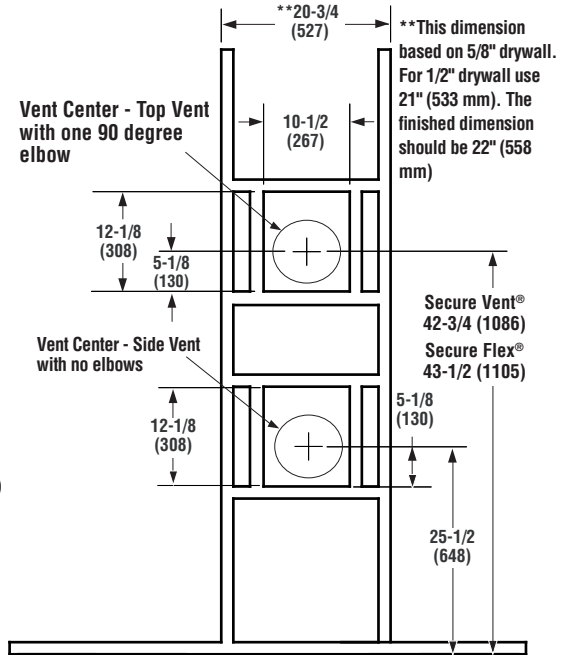
Fireplace Framing Specifications

***This dimension does not include the addition of drywall to the inside of framing or clearance for the *Side Vent Seal Cap*. Adjust accordingly for your installation.

See also, *Side Vent Seal Cap* note below.

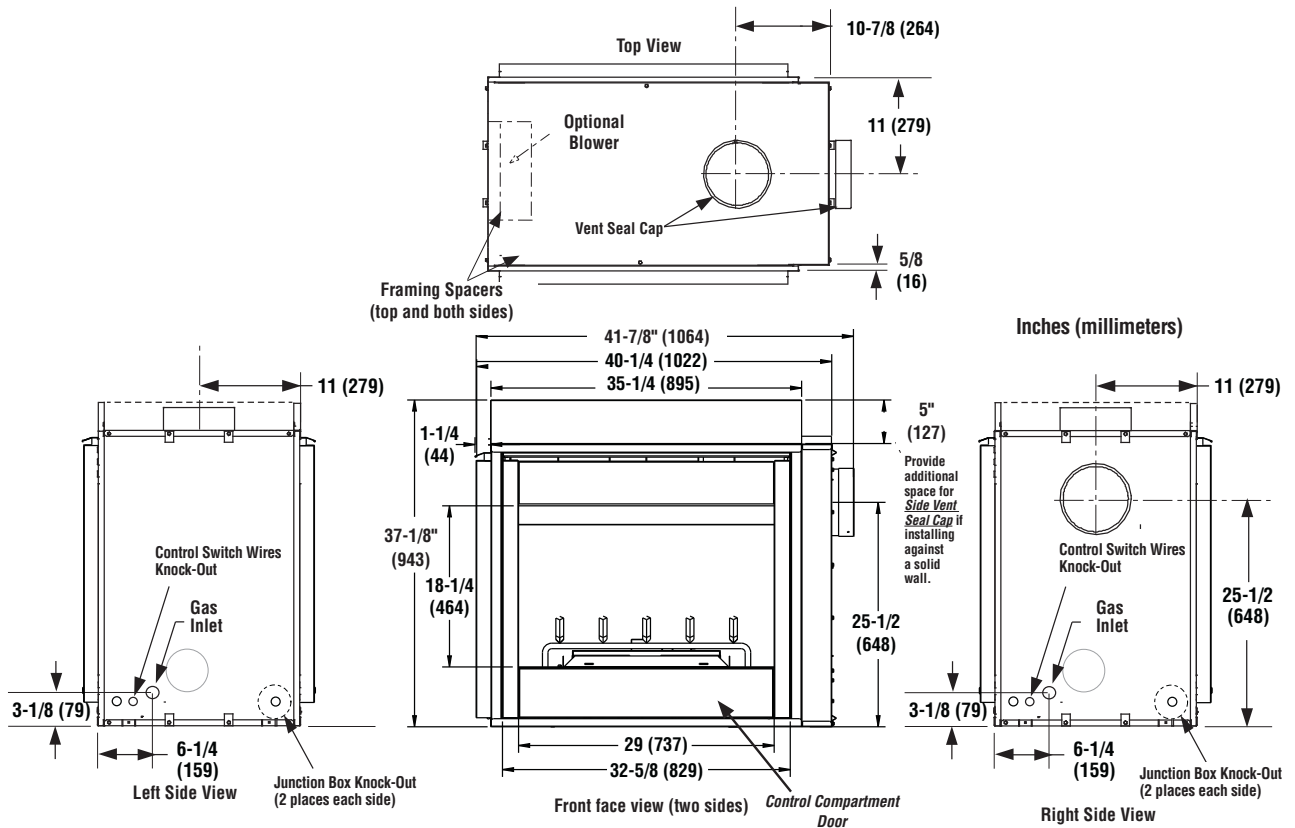


- Notes:
- Inches (millimeters)
 - Minimum Framing Stud Size is 2 x 4
 - See side views of fireplace below for gas line inlet location options.



Framing Dimensions

Fireplace Dimensions



DRT35ST SERIES

Product Info

Product Reference Information			
Cat. No.	Model	Shipping Weight	Shipping Volume
F1405	DRT35STD MN	194 lbs.	28.4 cu.ft.
F1406	DRT35STD MP	194 lbs.	28.4 cu.ft.
F1407	DRT35STD EN	194 lbs.	28.4 cu.ft.

Listing



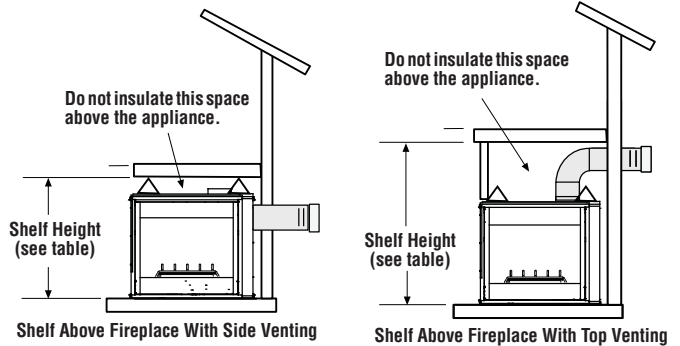
Report No. F14-165

These appliances comply with National Safety Standards and are tested and listed by PFS to ANSI Z21.88 (in Canada, CSA-2.33), and CAN/CGA-2.17-M91, latest editions, in both USA and Canada, as vented gas fireplace heaters.

Shelf Height

Model No.	Shelf Height - Inches (millimeter)		
	Side Vent - Straight Out Back	Top Vent - with One 90 Degree Elbow	
	Secure Vent® & Secure Flex®	Secure Vent	Secure Flex
DRT35ST	37-1/4 (947)	49-1/2 (1258)*	51-1/4 (1302)*

* Includes 3" clearance to combustibles (required above vent components)



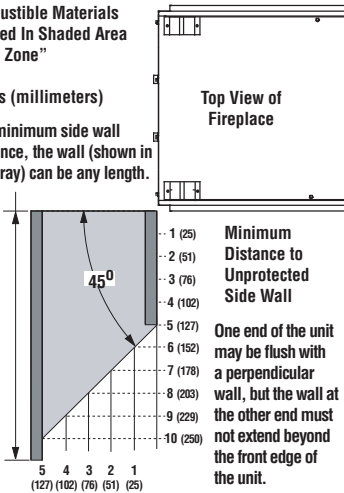
Clearances

Minimum Clearances Inches (millimeters)	
Sides	1/2 (13) 0 (0) from Spacers or Dimples
Top of Appliance	5 (127)
Floor	0 (0)
From Bottom of Unit To Ceiling	72 (1829)
Vent	3 (77) Top* / 1 (26) Sides & Bottom
Service Clearances - Feet (meters)	
Front, Back & Sides	3 feet (0.9 meters)

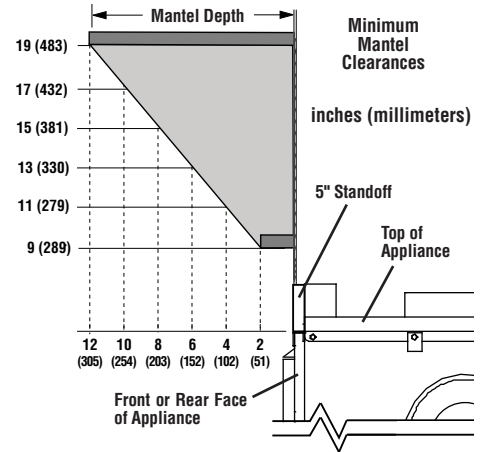
*NOTE: 3" (77 mm) above any horizontal/ inclined vent component.

Combustible Materials Allowed In Shaded Area "Safe Zone"

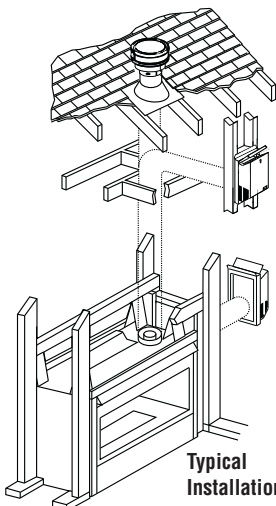
Inches (millimeters)
At 5" minimum side wall clearance, the wall (shown in dark gray) can be any length.



Minimum Distance to Unprotected Side Wall
One end of the unit may be flush with a perpendicular wall, but the wall at the other end must not extend beyond the front edge of the unit.

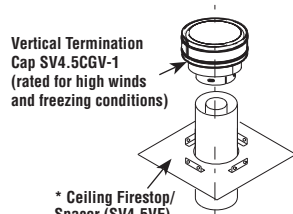


Venting

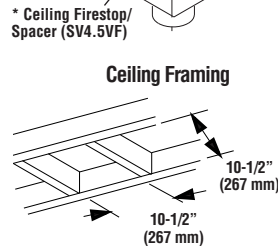


Typical Installation

NOTE: DIAGRAMS & ILLUSTRATIONS NOT TO SCALE.



Vertical Termination Cap SV4.5CGV-1 (rated for high winds and freezing conditions)



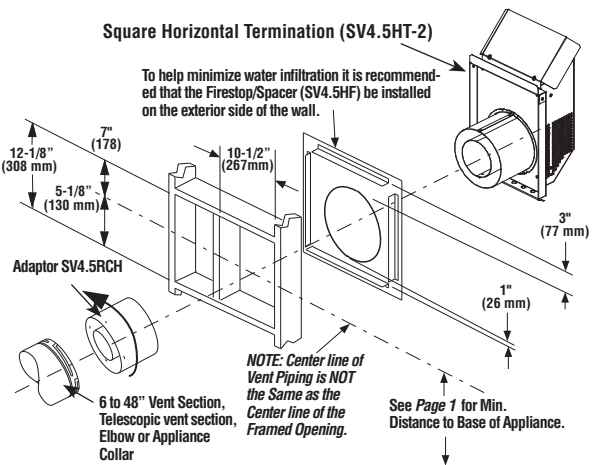
* Ceiling Firestop/Spacer (SV4.5VF)

Ceiling Framing

Uses 4.5" / 7.5" Secure Vent® Rigid and Secure Flex® Direct-Vent Components

Square Horizontal Termination (SV4.5HT-2)

To help minimize water infiltration it is recommended that the Firestop/Spacer (SV4.5HF) be installed on the exterior side of the wall.



NOTE: Center line of Vent Piping is NOT the Same as the Center line of the Framed Opening.

See Page 1 for Min. Distance to Base of Appliance.