



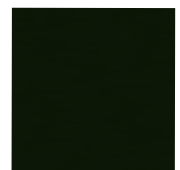
The bedroom, bath, study or den. Virtually anywhere you can imagine a fireplace, the DRT35ST Series gas direct vent fireplace fits right in without taking up additional floor space. Its compact design is the smallest footprint in the industry, yet it offers the largest viewing area and flame presentation for its size. Enjoy the beauty of fire from multiple rooms.

**FEATURES**

- 🔥 Available in a 35" see-through model
- 🔥 Combination top/rear flue configuration
- 🔥 Energy saving electronic ignition
- 🔥 Outstanding heating efficiency for increased comfort and lower operating costs
- 🔥 Standard tempered glass and a protective screen\*
- 🔥 Beautifully crafted ceramic fiber "oak" log set with heavy-duty grate
- 🔥 Clean faced heat-circulating design
- 🔥 Black painted interior (optional ceramic fiber liner available)
- 🔥 Durable textured powder coat finish
- 🔥 Optional blower and hand-held remote controls available
- 🔥 20 Year Limited Warranty

\*All applicable models comply with ANSI Z21.50/88 barrier requirements.

**INTERIOR**



Black Painted (Standard)



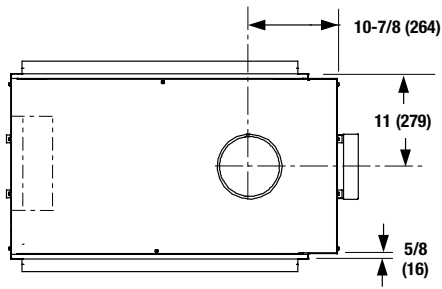
Buff Stacked Ceramic Fiber Liner



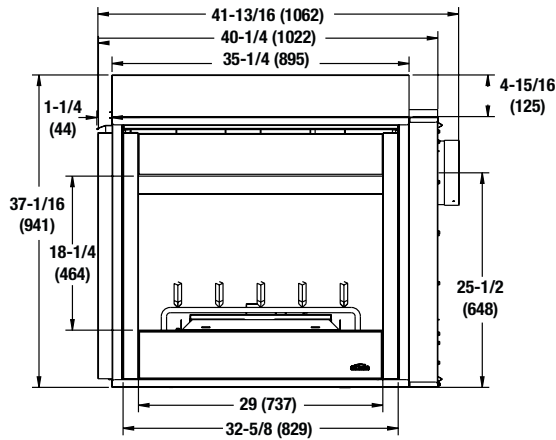
Optional Touch Remote

## APPLIANCE SPECIFICATIONS

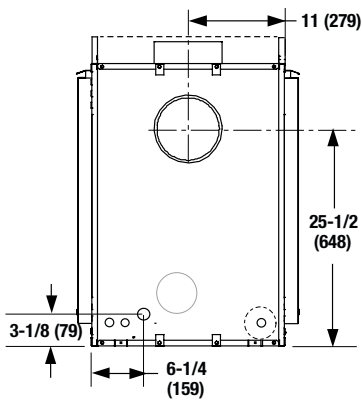
TOP VIEW



FRONT VIEW

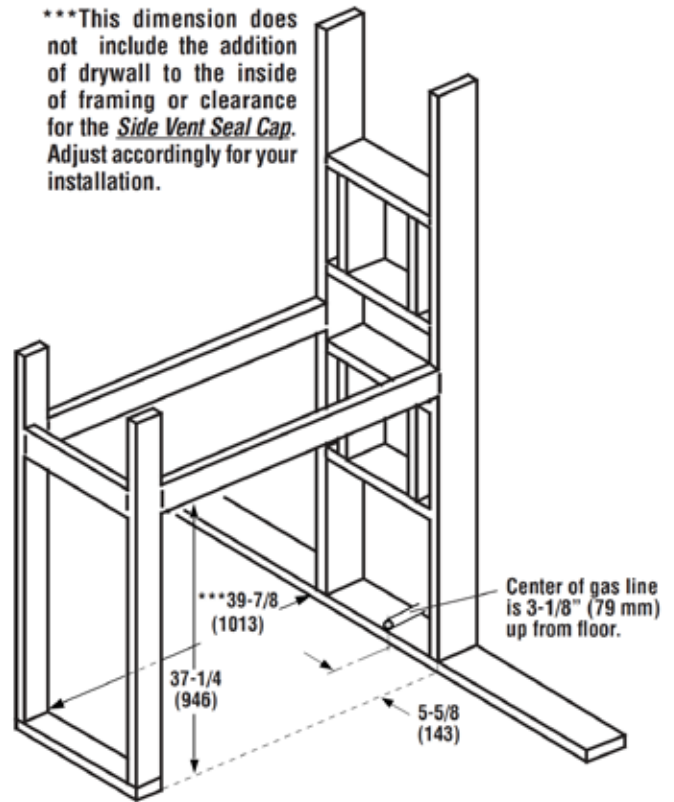


FLUE SIDE VIEW



## FRAMING SPECIFICATIONS

\*\*\*This dimension does not include the addition of drywall to the inside of framing or clearance for the *Side Vent Seal Cap*. Adjust accordingly for your installation.



### DRT35ST FIREPLACE EFFICIENCIES — Listed to ANSI Z21.88 as a gas fireplace heater

MODEL	FUEL	BTU/HR	AFUE**	P4 / ENERGUIDE
DRT35ST DEN	NG	30,000	74.8%	54.7%

\*\*Annual Fuel Utilization Efficiency (AFUE) is the recognized U.S. rating system for the total efficiency of heating products.

#### IMPORTANT NOTES:

As with any fireplace, this appliance is extremely hot during operation. Read and understand all operating instructions before using this appliance. For further information, consult your dealer.

Local conditions, such as elevation, wind, vent configuration and choice of fuel will affect overall appearance of the fire and heating performance. Performance can also vary with home design and insulation, climate, condition and type of fuel used, appliance location, burn rate, accessories chosen, chimney installation and how the appliance is operated.

Diagrams, illustrations and photographs are not to scale—consult installation instructions. Product designs, materials, dimensions, specifications, colors and prices are subject to change or discontinuance without notice.



© 2022 Innovative Hearth Products

785880M 08/22

Visit us online  
[SuperiorFireplaces.us.com](http://SuperiorFireplaces.us.com)

