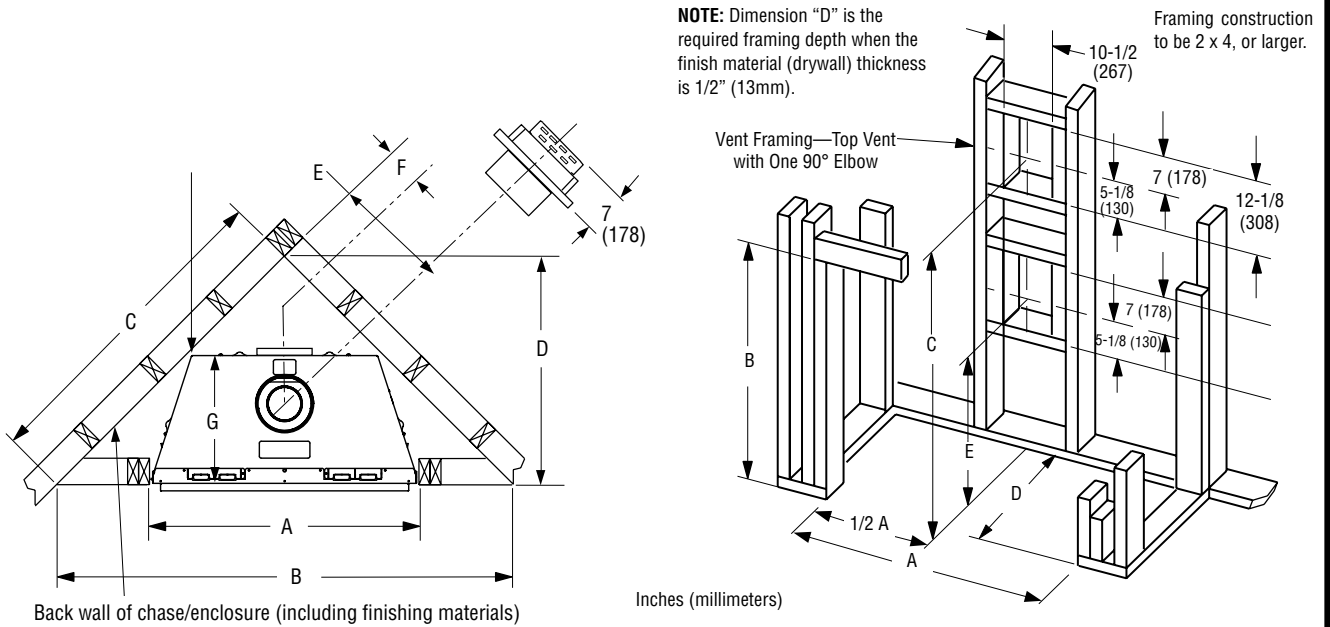


DRT/DRC2000 SERIES

DIRECT-VENT FIREPLACES

Framing Dimensions



C = Minimum height of top vent installations
E = Minimum height of rear vent installations

Model	A	B	C	D	E	F	G
33 Models	34-1/8 (867)	51-1/4 (1302)	36-1/4 (921)	25-5/8 (651)	12-1/8 (308)	5-1/2 (140)	14-1/2 (368)

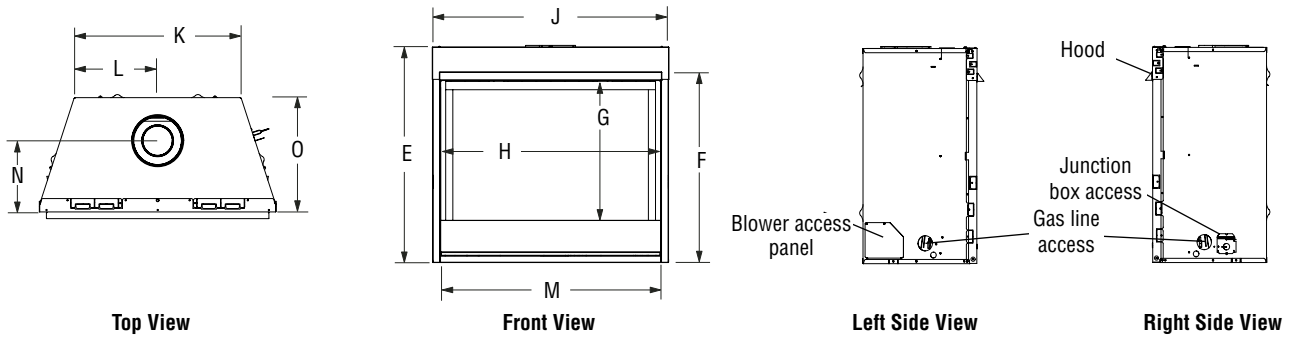
Model	A *	B	C	D	E
33 Models	34-1/8 (867)	34-1/4 (870)	36-7/8 (930)	14-1/2 (368)	19-5/8 (499)

*Minimum opening size; additional 1/8" per side is recommended.

NOTE: Framing specifications do NOT apply for flexible venting. When using flexible venting, refer to the kit requirements for framing specifications.

NOTE: When finishing the area around the hood, 5/8" clearance above hood is required for hood installation.

Fireplace Dimensions



Model	E	F	G	H (door)	J	K	L	M	N	O
33" Models	30-1/8 (765)	26-1/4 (667)	18-3/8 (467)	30-1/2 (775)	33-5/8 (854)	21-7/8 (556)	11 (279)	31 (787)	8-1/2 (216)	14 (356)

Inches (millimeters)

NOTE: DIAGRAMS & ILLUSTRATIONS ARE NOT TO SCALE.

DRT/DRC2000 SERIES

Product Information

F1413	DRC2033TEN	96 lb.	11.0
F1419	DRC2033REN	96 lb.	11.0
F1416	DRT2033TEN	88 lb.	11.0
F1721	DRT2033TEP	88 lb.	11.0
F1422	DRT2033REN	88 lb.	11.0
F1723	DRT2033REP	88 lb.	11.0

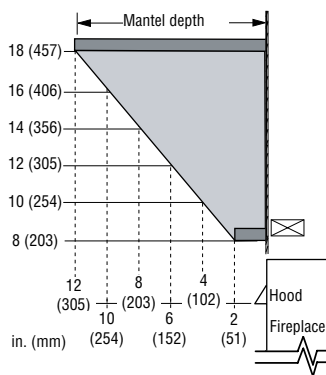
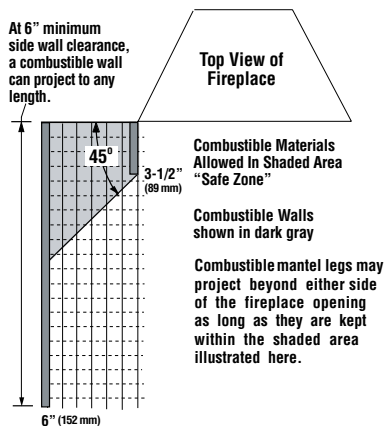
Listing



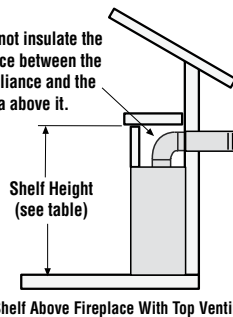
Report No. F13-094

Listed by PFS Corporation to - ANSI Z21.88 (in Canada, CSA-2.33), and CAN/CGA-2.17-M91 in both USA and Canada, as a vented gas fireplace heater.

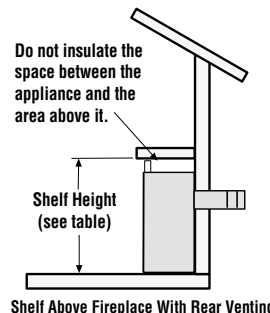
Clearances



Do not insulate the space between the appliance and the area above it.



Do not insulate the space between the appliance and the area above it.



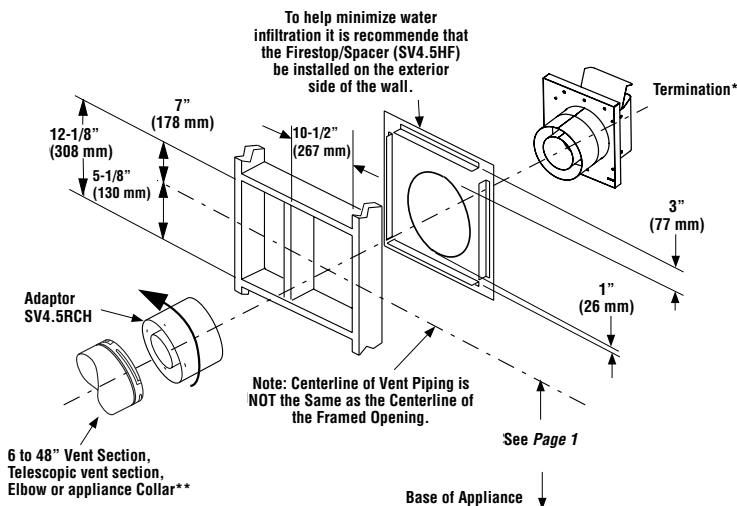
Model	Top Vent with one 90° Elbow		Alternative Rear Vent applications
	Secure Vent®	Secure Flex® (flex elbow)	Secure Vent®
33" Models	44" (1118 mm)*	46" (1168 mm)*	34" (864 mm)**

* Includes 3" clearance to combustibles (required above vent components)

** In alternative, Rear Vent applications, Top Vent will be sealed as detailed in the Installation and Operation manual.

* Specifications and clearances are subject to change without notice. Refer to Installation and Operation Manual before installation of these appliances for updated dimensions and instructions.

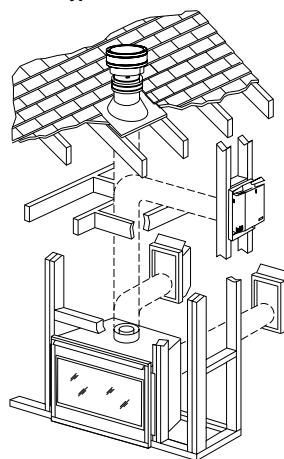
Venting



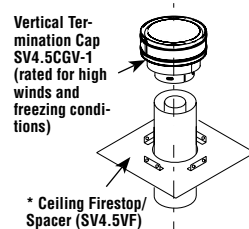
* Recommended IHP termination kits: F1797, H1968, and 94L10.

** With termination kit only, 6" to 9-1/4"

Typical Installations



Vertical Termination



Roof Framing

