

DRL4000 & DRL6000 SERIES

DIRECT-VENT FIREPLACES



Report No. F18-195

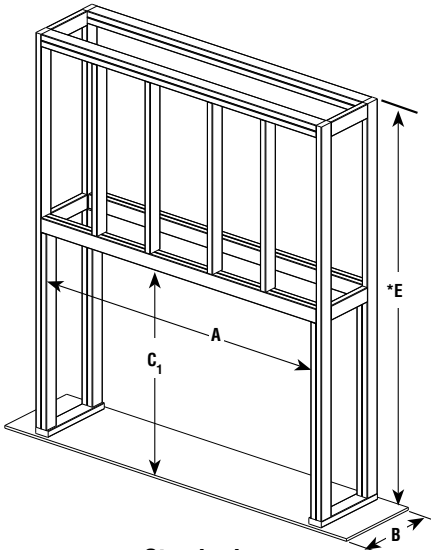
Listed by PFS TECO to - ANSI Z21.88:19 (in Canada, CSA 2.33:19), and CSA 2.17-2017 in both USA and Canada, as vented gas fireplace heaters.

Listing

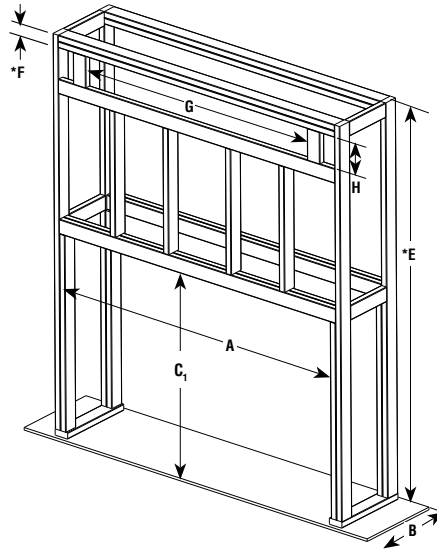
Product Info

Cat. No.	Model	Weight	Cu. Ft.	Input Rate (Btu/Hr)		
					Natural Gas	Propane (Field Converted)
F4385	DRL4060-B	470 lbs (213 kg)	58	High	40,000	40,000
				Low	28,000	30,000
F4386	DRL6060-B	485 lbs (218 kg)	58	High	40,000	40,000
				Low	28,000	30,000
F4390	DRL4072	560 lbs (254 kg)	72	High	45,000	43,000
				Low	31,500	32,250
F4391	DRL6072	575 lbs (261 kg)	72	High	45,000	43,000
				Low	31,500	32,250
F4395	DRL4084	640 lbs (290 kg)	72	High	50,000	47,000
				Low	35,000	35,250
F4396	DRL6084	655 lbs (297 kg)	72	High	50,000	47,000
				Low	35,000	35,250

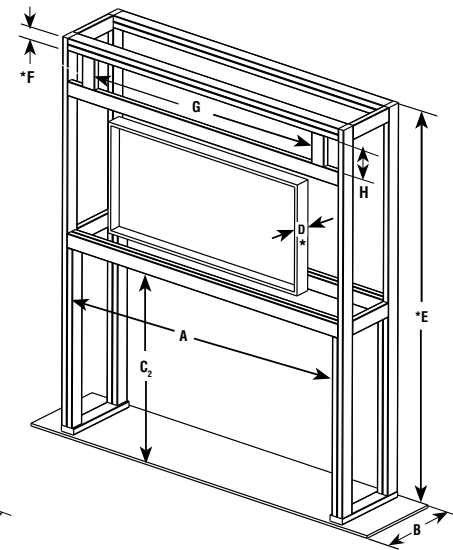
Framing Dimensions



Standard



with HeatFlo Kit for Flush Wall



with HeatFlo Kit for Recessed Wall Pocket

⚠ IMPORTANT NOTE

(Refer to Installation and Operation Manual)

HeatFlo Kits allow for a recessed wall pocket above the fireplace. Follow instructions for *Fireplace Framing Dimensions for Recessed Wall Pocket*.

Framing Dimensions - Inches (millimeters)

		A	B	C ₁	C ₂	D*	E*	F*	G	H
60" Models	One Sided Framing	74-1/4 (1886)	19-1/2 (496)	48-1/2 (1232)	44-3/4 (1137)	3-1/2 (89)	84 (2134)	3 (76)	62 (1515)	7-1/2 (191)
	See-Thru Framing	74-1/4 (1886)	18-1/2 (470)	48-1/2 (1232)	44-3/4 (1137)	3-1/2 (89)	84 (2134)	3 (76)	62 (1515)	7-1/2 (191)
72" Models	One Sided Framing	86-1/4 (2191)	19-1/2 (496)	48-1/2 (1232)	44-3/4 (1137)	3-1/2 (89)	84 (2134)	3 (76)	78 (1981)	7-1/2 (191)
	See-Thru Framing	86-1/4 (2191)	18-1/2 (470)	48-1/2 (1232)	44-3/4 (1137)	3-1/2 (89)	84 (2134)	3 (76)	78 (1981)	7-1/2 (191)
84" Models	One Sided Framing	98-1/4 (2496)	19-1/2 (496)	48-1/2 (1232)	44-3/4 (1137)	3-1/2 (89)	84 (2134)	3 (76)	90 (2286)	7-1/2 (191)
	See-Thru Framing	98-1/4 (2496)	18-1/2 (470)	48-1/2 (1232)	44-3/4 (1137)	3-1/2 (89)	84 (2134)	3 (76)	90 (2286)	7-1/2 (191)

• Optional See-Thru Kit required for See-Thru installation

*D Maximum allowable depth

*F Minimum distance from framed opening to ceiling

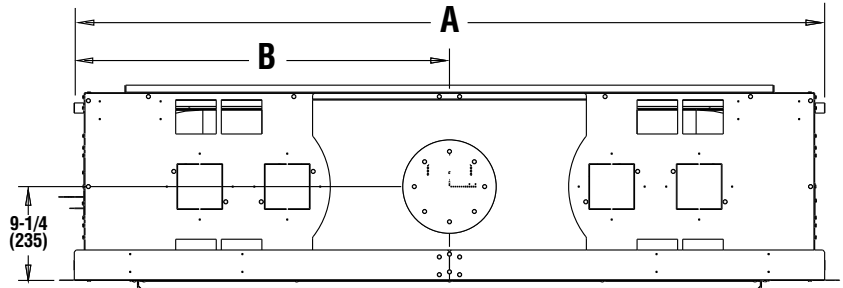
*E Minimum height from appliance base to ceiling

NOTE: DIAGRAMS & ILLUSTRATIONS ARE NOT TO SCALE.

TVs should not be used in situations where the actual TV temperature exceeds the manufacturer's technical specification. Contact the TV manufacturer directly if you cannot locate this information or have questions regarding this information.

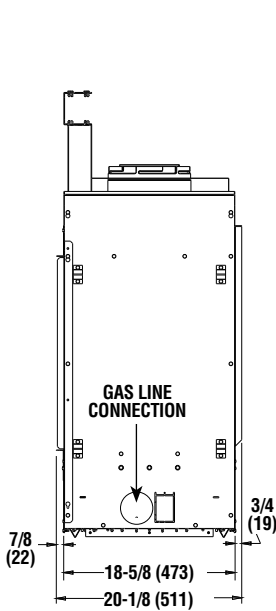
DRL4000 & DRL6000 SERIES

Fireplace Dimensions					
Model	A	B	C	D	E
60"	74 (1880)	37 (940)	56-5/8 (1438)	61-1/2 (1562)	76-5/8 (1946)
72"	86 (2184)	43 (1092)	68-5/8 (1743)	73-1/2 (1867)	88-5/8 (2251)
84"	98 (2489)	49 (1245)	80-5/8 (2048)	85-1/2 (2172)	100-5/8 (2556)

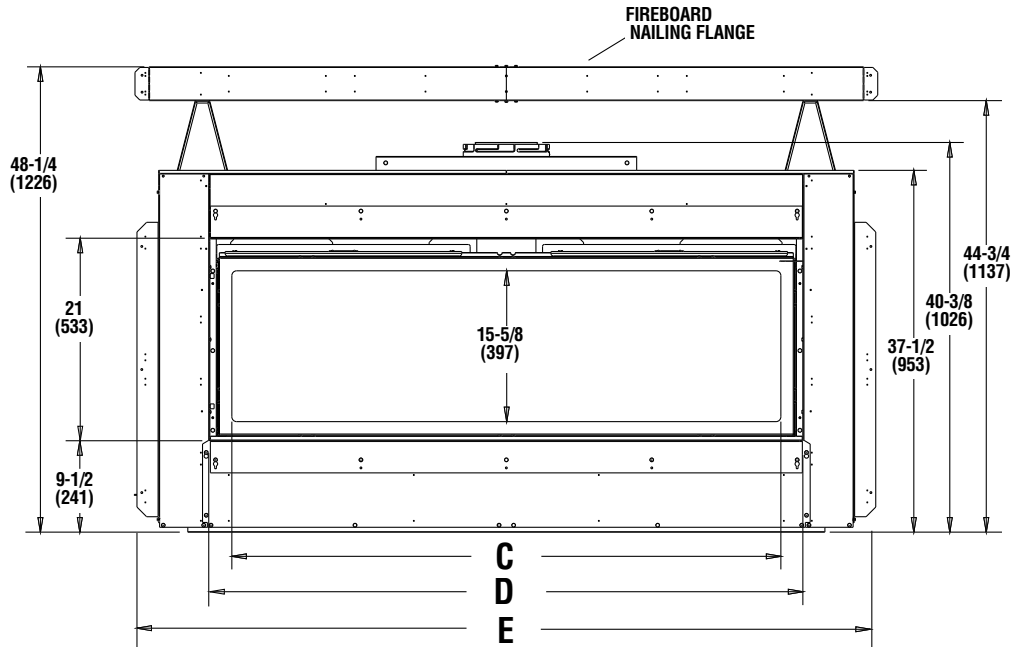


TOP VIEW

Fireplace Dimensions



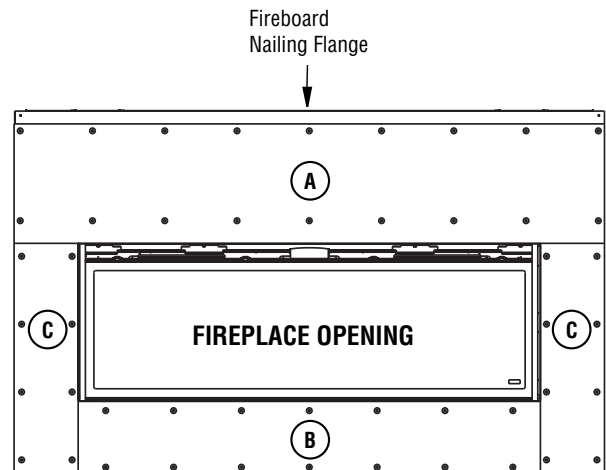
SIDE VIEW



FRONT VIEW

Concrete Fireboard Installed

Non-Combustible Fireboard		
		Description
60" Models	A	Fireboard, Top (1/2" x 76-1/2" x 16")
	B	Fireboard, Bottom (1/2" x 61-1/2" x 9-3/8")
	C	Fireboard, Side (1/2" x 30-1/2" x 7-1/2")
72" Models	A	Fireboard, Top (1/2" x 88-1/2" x 16")
	B	Fireboard, Bottom (1/2" x 73-1/2" x 9-3/8")
	C	Fireboard, Side (1/2" x 30-1/2" x 7-1/2")
84" Models	A	Fireboard, Top (1/2" x 85-1/2" x 16")
	B	Fireboard, Bottom (1/2" x 85-1/2" x 9-3/8")
	C	Fireboard, Side (1/2" x 46-3/8" x 7-1/2")

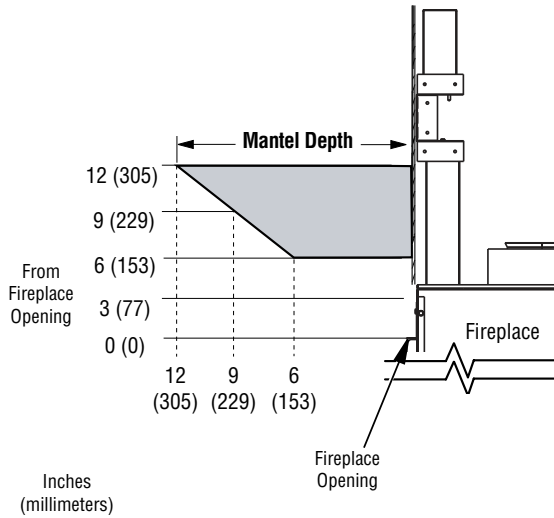


NOTE: Use 1" Self Drill Bugle Drywall Screws to Install Non-Combustible Fireboard (Supplied).

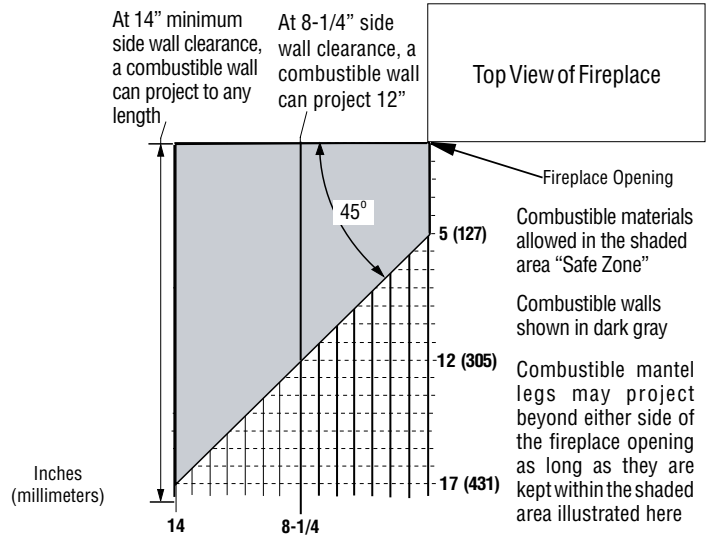
DRL4000 & DRL6000 SERIES

Clearances

Combustible Mantel Clearances

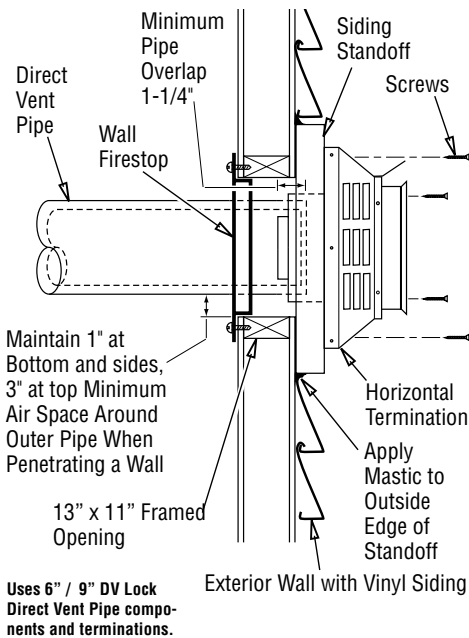


Side Wall Clearance

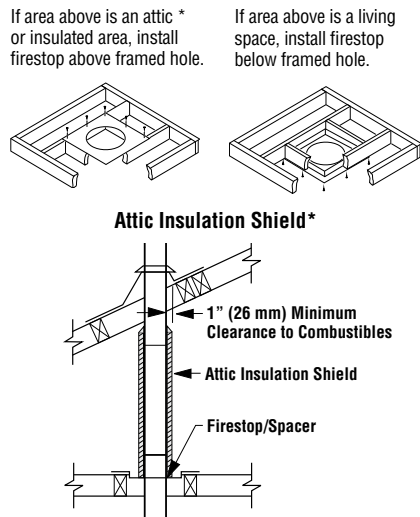


Venting

Horizontal Termination



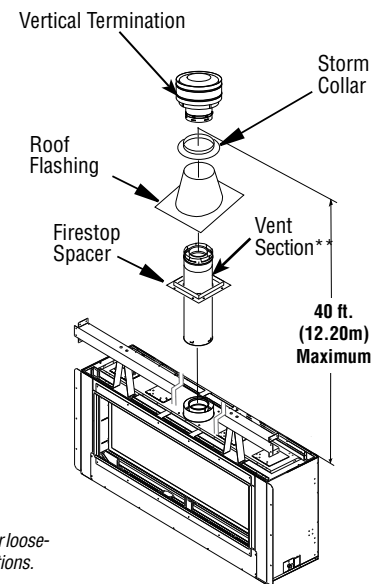
Firestop



* The Attic Insulation Shield must be installed when blown or loose-fill insulation is used, and is required for all attic installations.

These appliances are approved for use with IHP 6" / 9" DV Lock venting.

Vertical Termination



** The first vertical sections off appliance collar must be 2 foot (minimum) before an offset is allowed.

NOTE: DIAGRAMS & ILLUSTRATIONS ARE NOT TO SCALE.

Specifications and clearances are subject to change without notice. Refer to Installation Manual before installation of these appliances for updated dimensions and instructions.