

MONTIGO®

DELRAY LINEAR

DELRAY / THE ART OF FIREPLACES

DRL3613

DRL3613-2

DRL4813

DRL4813-2



DELRAY / SINGLE SIDED



DEL

Framing Depth

Both The DelRay 36" and 48" fit easily into a 14 1/4" framing depth

THE PERFECT COMPANION TO TODAY'S DESIGN TRENDS OF MINIMALISM & CLEAN LINES **DELRAY**

Venting Kits

Everything to complete your direct venting system in one kit. Comes complete with termination, wall thimble and flex pipe

Conversion Kit

Convert to propane in minutes with our simple drop in burner system

DELRAY

Trim Kits

For uneven and ledgestone finishing, we developed a slim finishing kit that fits directly to the fireplace frame to conceal the finished edge.

These kits are adjustable and can cover finishing depths up to 2"

MONTIGO

Features

Meets requirements for efficiency rebates

14¼ framing depth

Mobile home compatible

Convertible to co-linear venting



DELRAY

LINEAR

ELEGANTLY SIMPLE

DELRAY / FROM MINIMALIST TO INDULGENCE

DELRAY FULL LOAD LINEAR

DELRAY BASIC LINEAR

Standard

Concealed burner with ice fireglass

Multi-function remote control

Remote controlled fans

Invisimesh screen

Black reflective glass

Halogen downlighting

Battery backup

Options

Propane conversion kit

Adjustable trim kit

Speckled stones, driftwood, glass media

Heat management

Standard

Concealed burner with ice fireglass

Options

Remote control

Fans

Invisimesh screen

Black reflective glass

Propane conversion kit

Adjustable trim kit

Battery backup

Speckled stones, driftwood, glass media

Heat management

DRL3613 DRL4813

SINGLE SIDED
DIRECT VENT

QUICK DIMENSIONS

	DRL3613		DRL4813	
	UNIT	FRAM.	UNIT	FRAM.
F.WIDTH	45¼	43¾	57¼	55¾
B.WIDTH	41¾	43¾	53⅞	55¾
HEIGHT	26¾	33⅞	26¾	33⅞
DEPTH	12¾	14¼	12¾	14¼
VIEWING	36½ × 14⅞		48½ × 14⅞	

BTU LISTING

DRL3613NI / 16,000
DRL4813NI / 21,000
DRL3613LI / 16,000
DRL4813LI / 19,000

DRL3613NI-2 / 16,000
DRL4813NI-2 / 21,000
DRL3613LI-2 / 16,000
DRL4813LI-2 / 19,000

EFFICIENCY

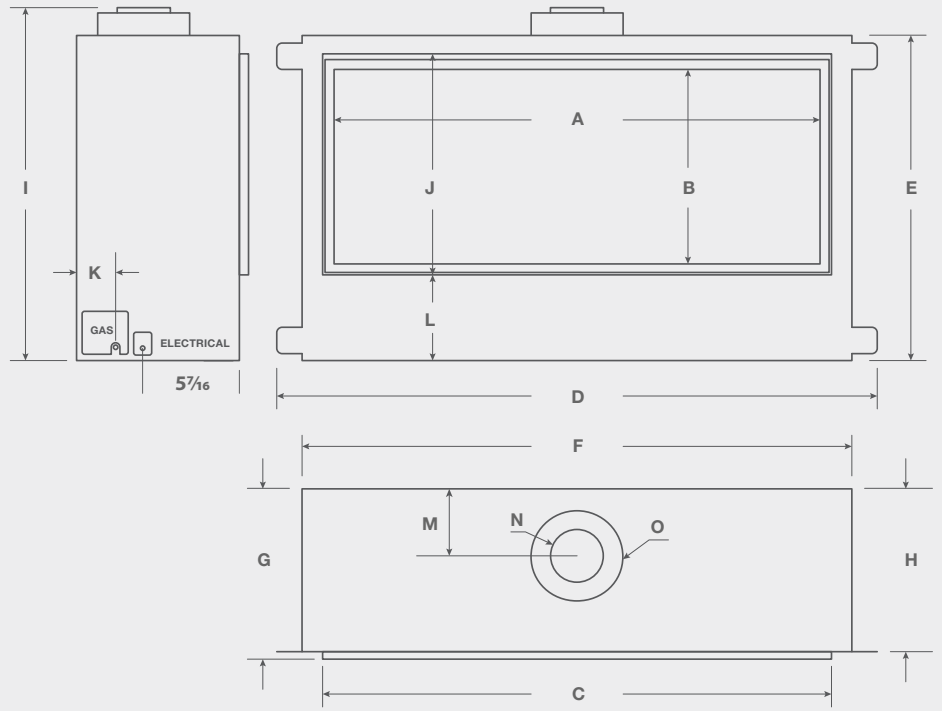
DRL3613NI / 71% P.4. 1-15
DRL4813NI / 63% P.4. 1-15
DRL3613LI / 71% P.4. 1-15
DRL4813LI / 60% P.4. 1-15

DRL3613NI-2 / 71% P.4. 1-15
DRL4813NI-2 / 63% P.4. 1-15
DRL3613LI-2 / 71% P.4. 1-15
DRL4813LI-2 / 60% P.4. 1-15





DELRAY DIMENSIONS



	A	B	C	D	E	F	G	H	I	J	K	L	M	N	O
DRL36	36½	14 ¹ / ₁₆	38¾	45¼	24¼	41¾	12¾	12 ⁵ / ₁₆	26¾	16 ⁵ / ₈	3 ³ / ₈	6 ⁹ / ₁₆	5	4	7
DRL48	48½	14 ¹ / ₁₆	50 ³ / ₁₆	57¼	24½	53 ⁷ / ₁₆	12¾	12 ⁵ / ₁₆	26¾	16 ⁵ / ₈	3 ³ / ₈	6 ⁹ / ₁₆	5	4	7



MONTIGO / DELRAY / LINEAR / DRL3613NI / ICE FIREGLASS

MONTIGO / DELRAY / LINEAR / DRL3613NI-2 / ICE FIREGLASS



OPTIONS & FEATURES



REMOTE[†]
RX200**



WALL REMOTE
REC1493



BLACK GLASS[†]
RBGDRL**



DOWNLIGHTING[†]



TRIM KIT
DRLT**.*

[†]Standard for full load units



SPECKLED STONES
RR***SS

COPPER
HW1143

AMBER
HW1261

ICE
HW1157

GLACIER
HW1219B

PLATINUM
HW1144

ALABASTER
HW1260

OBSIDIAN
HW1113

ONYX
HW1259

MEDIA

FROST
HW1112

QUARTZ
HW1106

EBONY
HW1091

DRIFTWOOD
LGS***

Unit Specifications

Icon Legend

AVAILABLE +

NOT AVAILABLE -

DEDICATED ◊

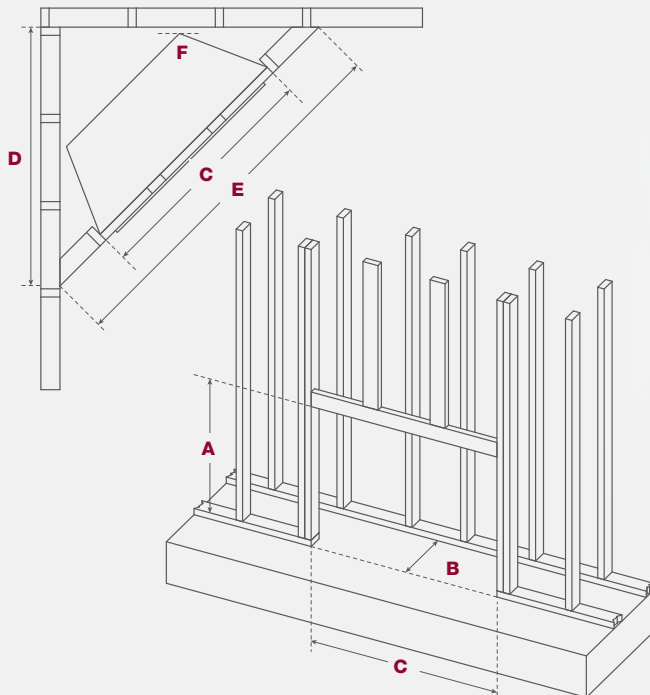
STANDARD ○

	BTU Natural Gas	BTU Liquid Propane	Venting	Clearance Top - Top vent	Clearance Sides	Clearance Back	Clearance Floor	Front viewing area	Front glass type	Standard media	Invisimesh screen	Powervent	Remote control	Fans	Uplighting	Downlighting
DRL3613*I-2	16,000	16,000	4"/7"	21	1	2	0	36½ x 14 ¹¹ / ₁₆	Tempered	HW1157	○	+	○	○	-	○
DRL3613*I	16,000	16,000	4"/7"	21	1	2	0	36½ x 14 ¹¹ / ₁₆	Tempered	HW1157	+	+	+	-	-	-
DRL4813*I-2	21,000	19,000	4"/7"	21	1	2	0	48½ x 14 ¹¹ / ₁₆	Tempered	HW1157	○	+	○	○	-	○
DRL4813*I	21,000	19,000	4"/7"	21	1	2	0	48½ x 14 ¹¹ / ₁₆	Tempered	HW1157	+	+	+	-	-	-

DELRAY LINEAR FRAMING

	A	B	C	D	E	F
DRL3613	34	14¼	43¾	47½	67⅞	½
DRL4813	34	14¼	55¾	56⅞	79¼	½

Header must be on edge to meet clearance to venting



DELRAY LINEAR COMBUSTIBLE FACING

Minimum 6' chase
(When venting ports open or using cool wall kit)

Combustible surround flush to opening (included cement board optional when venting ports open or using cool wall kit)

Open venting ports
(or heat diversion kit)

IMPORTANT

Leaving the venting ports open requires a minimum chase height of 6' (see below for sizes)

DRL36
Minimum 70² inch opening
DRL48
Minimum 100² inch opening

1976: The Days Before Gas Fireplaces

In 1976, Montigo president and founder, Dan Binzer, started installing zero-clearance wood burning fireplaces for local builders in Vancouver, BC. Over the years, demand grew for a gas alternative, and Dan engineered and manufactured the first ever sandpan logset. The logset was installed in a zero-clearance wood burning fireplaces shell, resulting in one of the first zero-clearance gas fireplaces on the market.

1985: Gas Fireplace Manufacturing Begins

Demand for gas grew rapidly, especially among multi-unit developments so Dan Binzer started a company called Canadian Heating that would offer full service design, engineering and manufacturing for gas fireplaces. Under the Montigo brand, Canadian Heating began manufacturing and selling a wide selection of zero-clearance gas fireplaces throughout Canada and in 1985 development began for the latest and greatest in gas fireplace technology – direct venting.

1994: Manufacturing Excellence is Achieved

Development and advancement of the gas fireplace continued over the years with continual developments to improve the efficiency of the fireplaces and perfected manufacturing processes to deliver an optimum fireplace each and every time – even for completely custom units.

Present: Leading the Way with Modern Fireplace Design

As one of the first to bring a linear designed fireplace to market, Montigo now offers the largest selection of linear fireplaces demanded by designers, architects and homeowners wanting to create a modern and contemporary space and homeowners wanting to create a modern and contemporary space.

WARNING

Some materials used in the manufacturing process of this product can expose you to Benzene which is known in the State of California to cause cancer and birth defects or other reproductive harm. For more information go to www.P65warnings.ca.gov

for more inspiration go to
www.montigo.com

MONTIGO[®]
the art of **fireplaces**



Our Guarantee

Montigo[®] stands behind the craftsmanship and durability of our products by providing a 15 year warranty on the burner and firebox in all our residential fireplaces.



Printed in Canada

XB2216