



### Features

Meets requirements for efficiency rebates

14¼ framing depth

Mobile home compatible

Convertible to co-linear venting



# DELRAY

LINEAR

# SPECIFICATIONS AND FEATURES

## DELRAY FULL LOAD LINEAR

## DELRAY BASIC LINEAR

### Standard

Concealed burner with Ice fireglass

Multi-function remote control

Remote controlled fans

Invisimesh screen

Black reflective glass

Halogen downlighting

Battery backup

### Options

Propane conversion kit

Adjustable trim kit

Speckled stones, driftwood, glass media

Heat management

### Standard

Concealed burner with Ice fireglass

### Options

Remote control

Fans

Invisimesh screen

Black reflective glass

Propane conversion kit

Adjustable trim kit

Battery backup

Speckled stones, driftwood, glass media

Heat management

# DRL3613 DRL4813

SINGLE SIDED  
DIRECT VENT

### QUICK DIMENSIONS

	DRL3613		DRL4813	
	UNIT	FRAM.	UNIT	FRAM.
F.WIDTH	45¼	43¾	57¼	55¾
B.WIDTH	41¾	43¾	53¾	55¾
HEIGHT	26¾	33⅞	26¾	33⅞
DEPTH	12¾	14¼	12¾	14¼
VIEWING	36½ × 14⅞		48½ × 14⅞	

### BTU LISTING

DRL3613NI / 16,000  
DRL4813NI / 21,000  
DRL3613LI / 16,000  
DRL4813LI / 19,000

DRL3613NI-2 / 16,000  
DRL4813NI-2 / 21,000  
DRL3613LI-2 / 16,000  
DRL4813LI-2 / 19,000

### EFFICIENCY

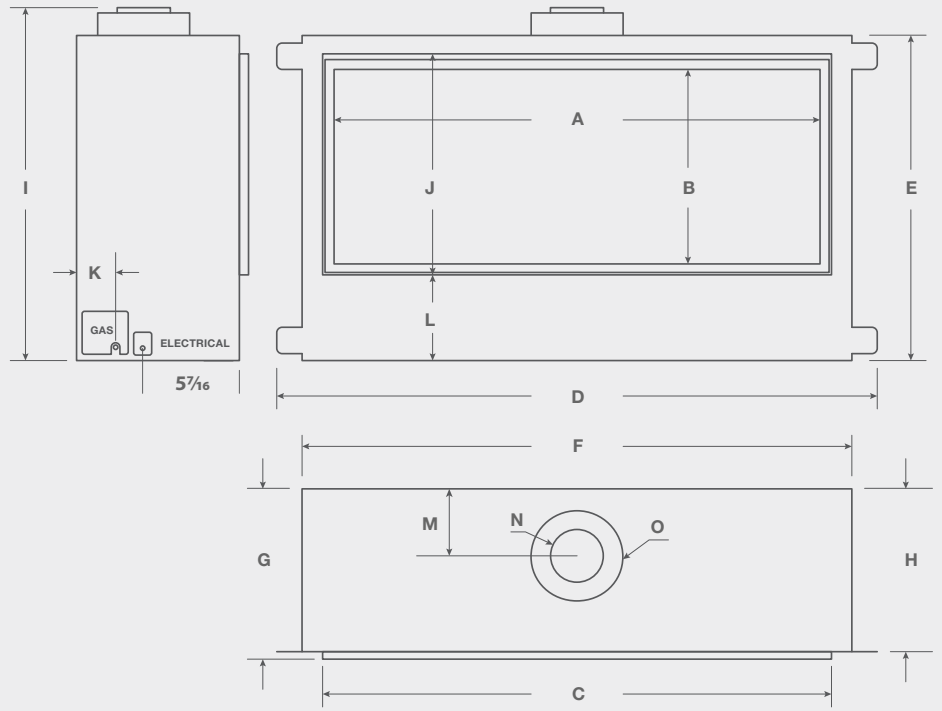
DRL3613NI / 71% P.4. 1-15  
DRL4813NI / 63% P.4. 1-15  
DRL3613LI / 71% P.4. 1-15  
DRL4813LI / 60% P.4. 1-15

DRL3613NI-2 / 71% P.4. 1-15  
DRL4813NI-2 / 63% P.4. 1-15  
DRL3613LI-2 / 71% P.4. 1-15  
DRL4813LI-2 / 60% P.4. 1-15





### DELRAY DIMENSIONS



	A	B	C	D	E	F	G	H	I	J	K	L	M	N	O
DRL36	36½	14 <sup>1</sup> / <sub>16</sub>	38¾	45¼	24¼	41¾	12¾	12 <sup>5</sup> / <sub>16</sub>	26¾	16 <sup>5</sup> / <sub>8</sub>	3 <sup>3</sup> / <sub>8</sub>	6 <sup>9</sup> / <sub>16</sub>	5	4	7
DRL48	48½	14 <sup>1</sup> / <sub>16</sub>	50¾	57¼	24½	53 <sup>7</sup> / <sub>16</sub>	12¾	12 <sup>5</sup> / <sub>16</sub>	26¾	16 <sup>5</sup> / <sub>8</sub>	3 <sup>3</sup> / <sub>8</sub>	6 <sup>9</sup> / <sub>16</sub>	5	4	7



MONTIGO / DELRAY / LINEAR / DRL3613NI / ICE FIREGLASS

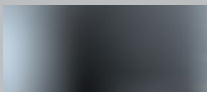
MONTIGO / DELRAY / LINEAR / DRL3613NI-2 / ICE FIREGLASS



REMOTE<sup>†</sup>  
RX200\*\*



WALL REMOTE  
REC1493



BLACK GLASS<sup>†</sup>  
RBGDRL\*\*



DOWNLIGHTING<sup>†</sup>



TRIM KIT  
DRLT\*\*.\*

<sup>†</sup>Standard for full load units

OPTIONS & FEATURES

# Unit Specifications

## Icon Legend

AVAILABLE +

NOT AVAILABLE -

DEDICATED ◊

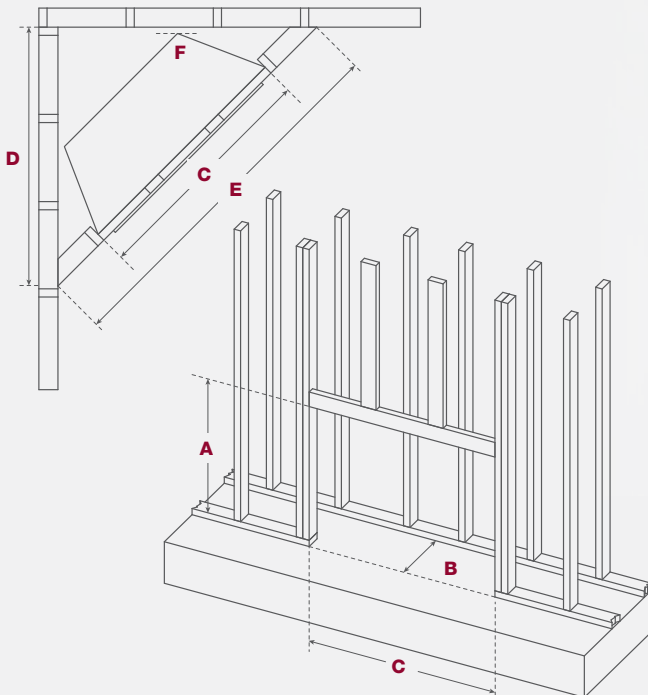
STANDARD ○

	BTU Natural Gas	BTU Liquid Propane	Venting	Clearance Top - Top vent	Clearance Sides	Clearance Back	Clearance Floor	Front viewing area	Front glass type	Standard media	Invisimesh screen	Powervent	Remote control	Fans	Uplighting	Downlighting
DRL3613*I-2	16,000	16,000	4"/7"	21	1	2	0	36½ x 14 <sup>11</sup> / <sub>16</sub>	Tempered	HW1157	○	+	○	○	-	○
DRL3613*I	16,000	16,000	4"/7"	21	1	2	0	36½ x 14 <sup>11</sup> / <sub>16</sub>	Tempered	HW1157	+	+	+	-	-	-
DRL4813*I-2	21,000	19,000	4"/7"	21	1	2	0	48½ x 14 <sup>11</sup> / <sub>16</sub>	Tempered	HW1157	○	+	○	○	-	○
DRL4813*I	21,000	19,000	4"/7"	21	1	2	0	48½ x 14 <sup>11</sup> / <sub>16</sub>	Tempered	HW1157	+	+	+	-	-	-

## DELRAY LINEAR FRAMING

	A	B	C	D	E	F
DRL3613	34	14¼	43¾	47½	67⅞	½
DRL4813	34	14¼	55¾	56⅞	79¼	½

Header must be on edge to meet clearance to venting



## DELRAY LINEAR COMBUSTIBLE FACING

Minimum 6" chase  
(When venting ports open or using cool wall kit)

Combustible surround flush to opening (included cement board optional when venting ports open or using cool wall kit)

Open venting ports  
(or heat diversion kit)



### IMPORTANT

Leaving the venting ports open requires a vented chase.  
(see below for sizes)

DRL36  
Minimum 70<sup>2</sup> inch opening  
DRL48  
Minimum 100<sup>2</sup> inch opening