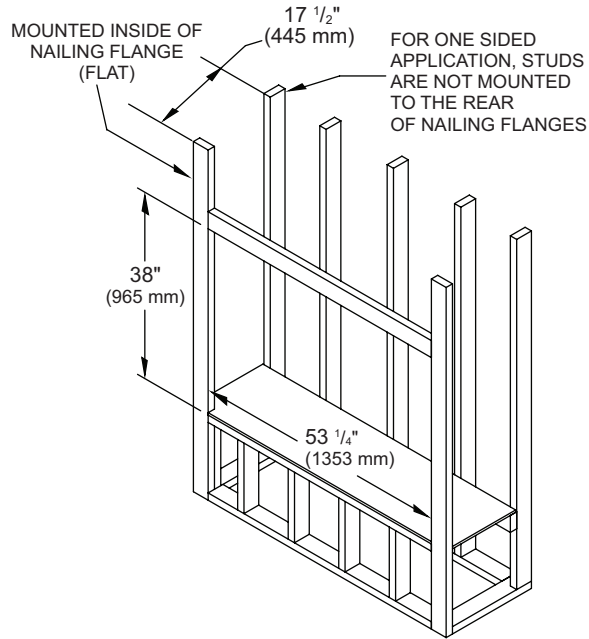


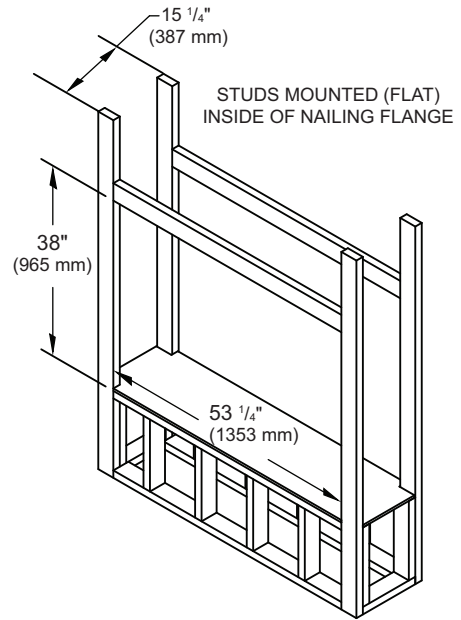
DRL4543 SERIES

DIRECT-VENT FIREPLACES

Framing Dimensions

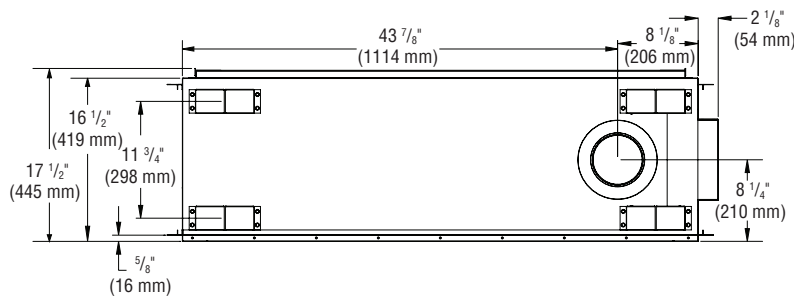


Framing Dimensions for One Sided Application

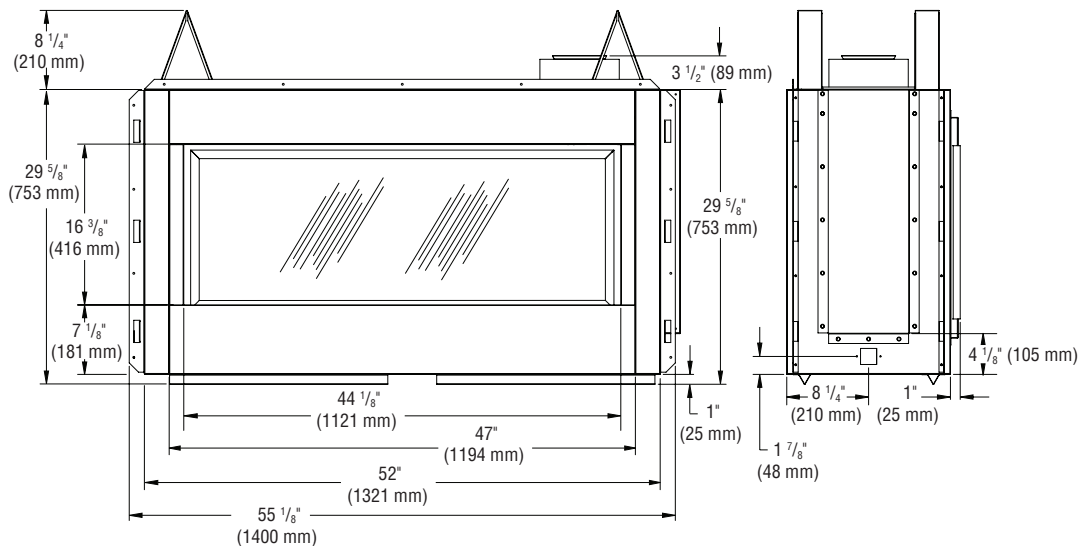


Framing Dimensions for See-Thru Application

Fireplace Dimensions



Diagrams, illustrations and photographs are not to scale. Consult installation instructions. Product designs, materials, dimensions, specifications, colors, and prices are subject to change or discontinuance without notice.



DRL4543 SERIES

Product Info

Cat. No.	Model	Weight	Cu. Ft.
F1262	DRL4543TEN	296 lb.	24.5
F1263	DRL4543TEP	296 lb.	24.5

Listing



Listed by PFS Corporation to - ANSI Z21.50/CSA 2.22 standard as vented gas fireplace and applicable sections of Z21.97 standard for outdoor decorative gas appliance (When installed as a see-thru unit using outdoor kit model LDSTO).

Minimum clearances to combustibles for the fireplace are as follows:

*Back and Sides	1"	26 mm
Perpendicular Walls	8"	203 mm
Floor (from bottom of fireplace)	0"	0 mm
Ceiling (from bottom of fireplace)	63"	1601 mm
Top of Standoffs	0"	0 mm

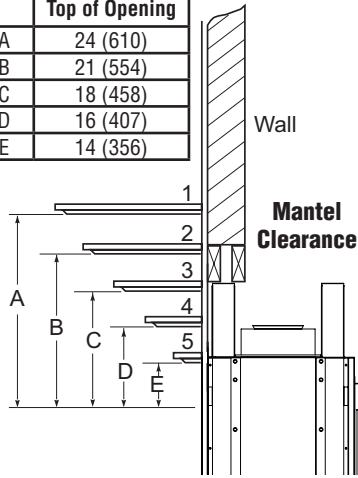
*For back and sides of fireplace, do not pack with insulation or other materials.

Hearth Extension

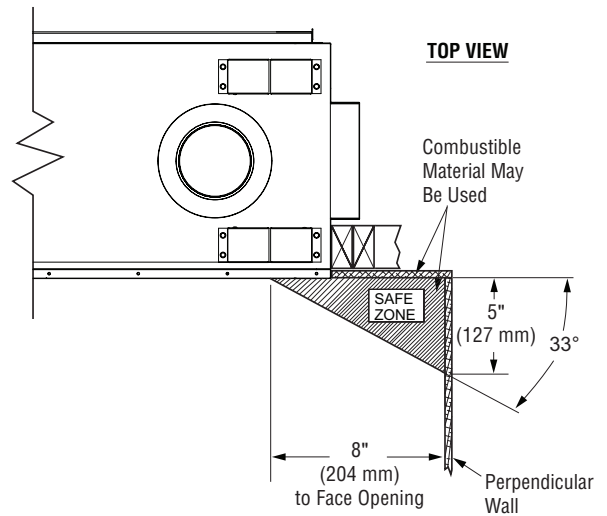
A hearth extension is not required with this fireplace. Any hearth extension used is for appearance only and does not have to conform to standard hearth extension installation requirements.

Clearances

Ref.	Mantel Depth	Ref.	Mantel from Top of Opening
1.	12 (305)	A	24 (610)
2.	9 (229)	B	21 (554)
3.	6 (152)	C	18 (458)
4.	4 (102)	D	16 (407)
5.	2 (51)	E	14 (356)

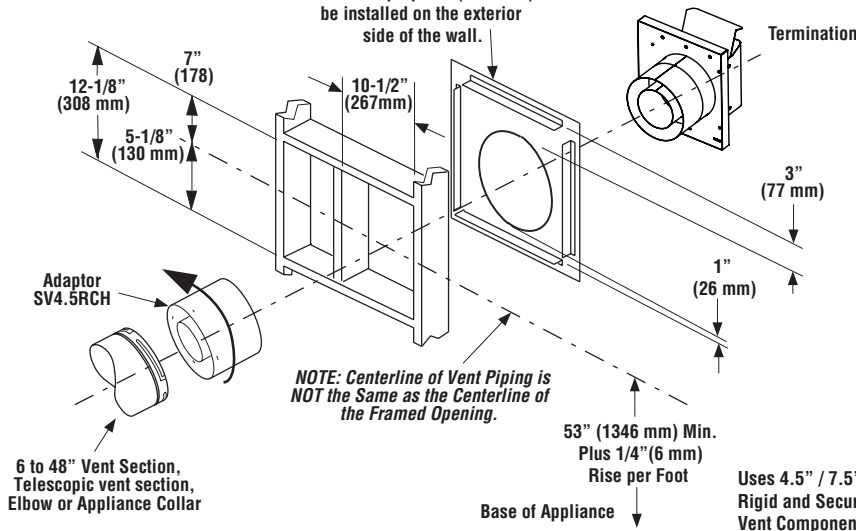


Side Wall Clearance

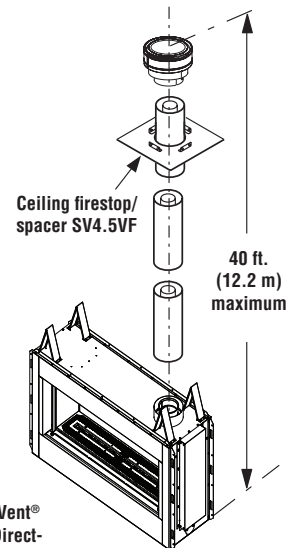


Horizontal Termination Installation

To help minimize water infiltration it is recommended that the Firestop/Spacer (SV4.5HF) be installed on the exterior side of the wall.



Vertical Termination Installation



Venting