



MONTIGO

DELRAY LINEAR

DRL3613I

DRL3613I-2

DRL4813I

DRL4813I-2



ELEGANTLY SIMPLE

DelRay linear
DRL36, DRL48
The modern
fireplace,
reinvented

DRL3613		DRL4813	
ACTUAL	FRAMING	ACTUAL	FRAMING
45 ¹ / ₄	43 ³ / ₈	57 ¹ / ₄	55 ³ / ₈
41 ³ / ₈	43 ³ / ₈	53 ⁷ / ₁₆	55 ³ / ₈
26 ³ / ₄	33 ¹ / ₁₆	26 ³ / ₄	33 ¹ / ₁₆
12 ³ / ₄	14 ¹ / ₄	12 ³ / ₄	14 ¹ / ₄
36 ¹ / ₂ x 14 ¹ / ₁₆	VIEWING	48 ¹ / ₂ x 14 ¹ / ₁₆	

BTU LISTING

DRL3613NI / 16,000 BTU
DRL4813NI / 21,000 BTU
DRL3613LI / 16,000 BTU
DRL4813LI / 19,000 BTU

DRL3613NI-2 / 16,000 BTU
DRL4813NI-2 / 21,000 BTU
DRL3613LI-2 / 16,000 BTU
DRL4813LI-2 / 19,000 BTU

EFFICIENCY

DRL3613NI / 71% P.4. 1-15
DRL4813NI / 63% P.4. 1-15
DRL3613LI / 71% P.4. 1-15
DRL4813LI / 60% P.4. 1-15

DRL3613NI-2 / 71% P.4. 1-15
DRL4813NI-2 / 63% P.4. 1-15
DRL3613LI-2 / 71% P.4. 1-15
DRL4813LI-2 / 60% P.4. 1-15

DELRAY LINEAR

Standard

Linear burner + Ice fireglass

Proflame 2 BASIC control module

Options

Propane conversion kit

Remote control

Fan kit

Reflective black glass panels

Invisimesh screen

DELRAY LINEAR FULL LOAD

Standard

Linear burner + Ice fireglass

Full feature Proflame 2 remote control

Remote controlled fans

Reflective black glass panels

Halogen downlighting

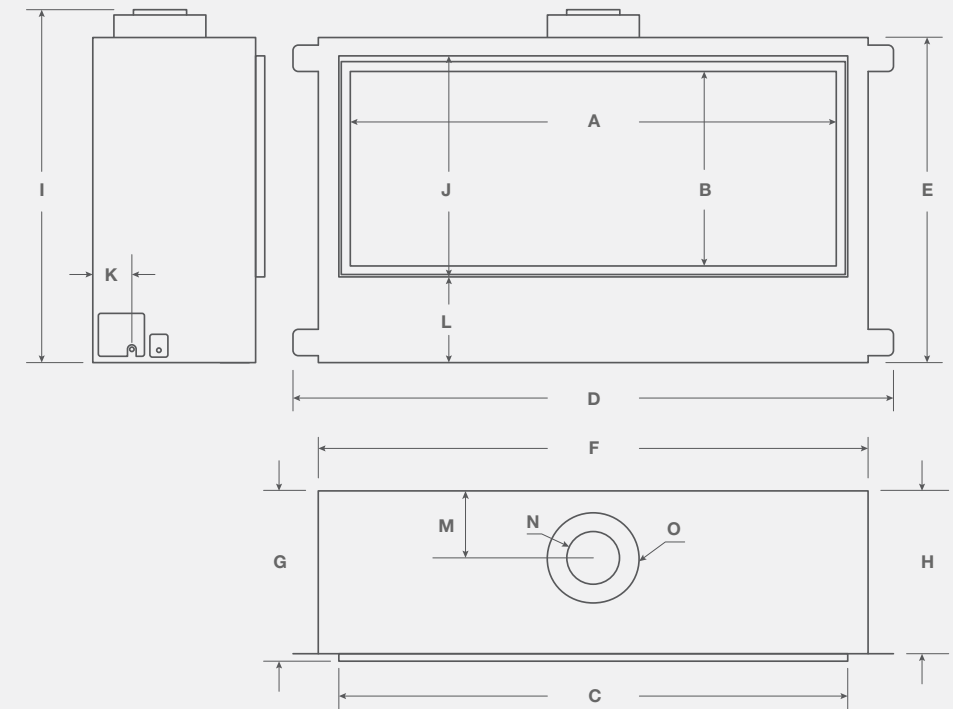
Invisimesh screen

Options

Propane conversion kit

full load

DELRAY DIMENSIONS



	A	B	C	D	E	F	G	H	I	J	K	L	M	N	O
DRL36	36 ¹ / ₂	14 ¹ / ₁₆	38 ³ / ₈	45 ¹ / ₄	24 ¹ / ₄	41 ³ / ₈	12 ³ / ₄	12 ⁵ / ₁₆	26 ³ / ₄	16 ³ / ₈	3 ³ / ₈	6 ⁵ / ₁₆	5	4	7
DRL48	48 ¹ / ₂	14 ¹ / ₁₆	50 ³ / ₁₆	57 ¹ / ₄	24 ¹ / ₂	53 ³ / ₁₆	12 ³ / ₄	12 ⁵ / ₁₆	26 ³ / ₄	16 ³ / ₈	3 ³ / ₈	6 ⁵ / ₁₆	5	4	7



OPTIONS & FEATURES

REMOTE¹ /



BLACK GLASS² / RBGDRL**



INVISIMESH¹ / SCRIDL^{**}

¹Not available for Basic units, standard on Full Load units
²Optional for Basic units, standard on Full Load units



Operational Options & Features

Conversion Kit

Convert to propane in minutes with our simple drop in burner system



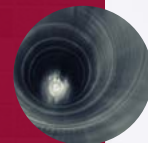
Framing Depth

Both The DelRay 36" and 48" fit easily into a 1 1/4" framing depth



Venting Kits

Everything to complete your direct venting system in one kit. Comes complete with termination, wall thimble and flex pipe



FROM MINIMALIST TO INDULGENCE



Fan System[†]

A quiet dual blower system turns the DelRay into an efficient room heater.

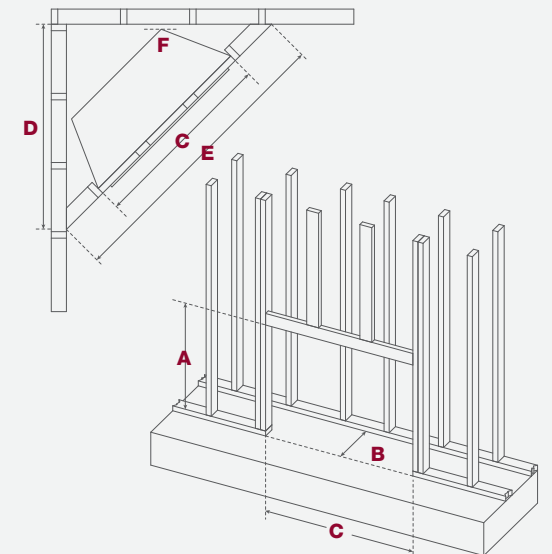
Full Function Remote[‡]

Full control at your fingertips, from the accent lights and fans or simply turning on the burner.

DELRAY FRAMING

	A	B	C	D	E	F
DRL3615	34	14 1/4	43 3/8	47 1/2	67 1/8	1/2
DRL4815	34	14 1/4	55 3/8	56 1/8	79 1/4	1/2

Header must be turned on edge



The perfect companion to today's design trends of minimalism and clean lines



MONTIGO / DELRAY / DRL4813NI / ICE FIREGLASS

MONTIGO / DELRAY / DRL3613NI-2 / AMBER FIRESTONES

DELRAY SPECIFICATIONS

	BTU Natural Gas	BTU Liquid Propane	Gas Supply Pressure NG (shown in w.c.)	Gas Supply Pressure LP (shown in w.c.)	Efficiency (NG)	Venting	Clearance Top	Clearance Sides	Clearance Back	Clearance Floor	Front viewing area	Front glass type	Standard media	Powervent	Remote control	Fans	Downlighting	Invisimesh Screen
DRL3613*1-2	16,000	16,000	5.5	13	71% P.4. 1-15	4"/7"	21	1	2	0	36 1/2 x 14 1/8	Borosil.	HW1157	+	°	°	°	°
DR3613*1	16,000	16,000	5.5	13	71% P.4. 1-15	4"/7"	21	1	2	0	36 1/2 x 14 1/8	Borosil.	HW1157	+	+	+	-	+
DRL4813*1-2	21,000	19,000	5.5	13	63% P.4. 1-15	4"/7"	21	1	2	0	48 1/2 x 14 1/8	Borosil.	HW1157	+	°	°	°	°
DRL4813*1	21,000	19,000	5.5	13	63% P.4. 1-15	4"/7"	21	1	2	0	48 1/2 x 14 1/8	Borosil.	HW1157	+	+	+	-	+

Icon
 ° Standard
 ◊ Dedicated
 + Available
 - Not Available

[†]Not available for Basic units, standard on Full Load units
[‡]Optional for Basic units, standard on Full Load units

RIVER ROCKS
RR20GREY

COPPER
HW1143

AMBER
HW1261

ICE
HW1157

GLACIER
HW1219B

PLATINUM
HW1144

ALABASTER
HW1260

OBSIDIAN
HW1113

ONYX
HW1259

MEDIA

IVORY
HW1111

EBONY
HW1091

SAGE
HW1082

FROST
HW1112

QUARTZ
HW1106

TUXEDO
HW1263

COASTAL
HW1262

DRIFTWOOD
LGS***

SPECKLED STONES
SS***

True Flush Face Design

Finishing 1ST Place

We consulted tile setters and masons in order to make the DelRay the easiest fireplace in the industry to create a sharp and clean edge.

Trim kits

For uneven and ledgestone finishing, we developed a slim finishing kit that fits directly to the fireplace frame to conceal the finished edge.

These kits are adjustable and can cover finishing depths up to 1.5"



MONTIGO DELRAY FINISHING KIT

Visual Options & Features

Invisimesh Screen

A microwoven steel mesh leaves practically nothing between you and the fire.



Media Downlighting

Enhancing your choice of media even when the unit is off.



Reflective Black Glass

For a sharper and deeper view that fills the DelRay with flames.





Our Guarantee

Montigo™ stands by the craftsmanship and durability of our products by providing a 15 year warranty on the burner and firebox in all our residential fireplaces.

1976: The Days Before Gas Fireplaces

In 1976, president and founder, Dan Binzer started installing zero-clearance wood burning fireplaces with local builders in Vancouver, BC. Over the years, demand grew for a gas alternative, so Dan engineered and manufactured the first ever Sandpan Logset. The logset was installed in the zero-clearance wood burning fireplace shell, resulting in one of the first zero-clearance gas fireplaces on the market.

1985: Gas Fireplace Manufacturing Begins

Demand for gas grew rapidly, especially among multi-unit developments and Dan Binzer started a company called Canadian Heating that would offer full service design, engineering and manufacturing for gas fireplaces. Under the Montigo brand, Canadian Heating began manufacturing and selling a wide selection of zero-clearance gas fireplaces throughout Canada and in 1985, development began for the latest and greatest in gas fireplace technology – Direct Venting.

1994: Manufacturing Excellence is Achieved

Development and advancement of the gas fireplace continued over the years with continual developments to improve the efficiency of the fireplaces and perfected manufacturing processes to deliver an optimum fireplace each and every time – even for completely custom units.

Present: Leading the Way with Modern Fireplace Design

As one of the first to bring to market a linear designed fireplace, Montigo now offers the largest selection of linear fireplaces demanded by designers, architects and homeowners wanting to create a modern and contemporary space.

WARNING

Some materials used in the manufacturing process of this product can expose you to Benzene which is known in the State of California to cause cancer and birth defects or other reproductive harm. For more information go to www.P65warnings.ca.gov

for more inspiration go to
www.montigo.com

ARCAT
Printed in Canada

MONTIGO
the art of **fireplaces**