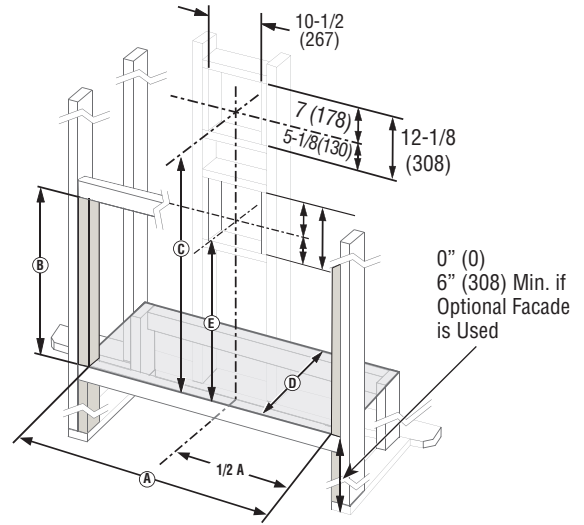
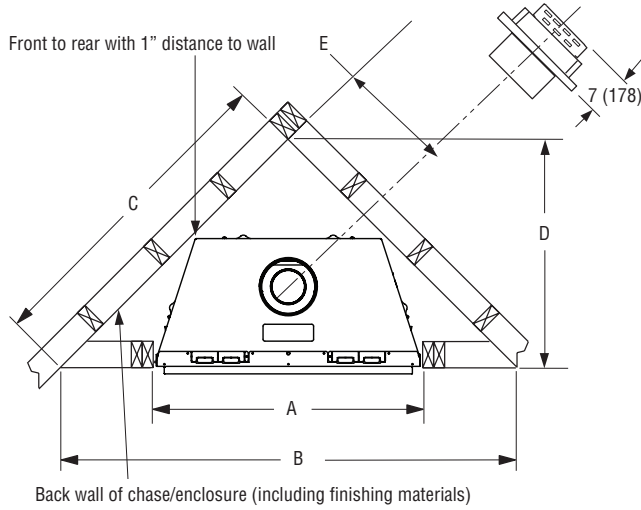


DRL2000 & DRL3500 SERIES

LINEAR DIRECT-VENT FIREPLACES

NOTE: Dimension "D" is for flush framing.

Framing construction to be 2 x 4, or larger.



Framing Dimensions

Inches (millimeters)

Model	A	B	C	D	E
35" Models	35-7/8 (911)	59-1/2 (1511)	42-1/8 (1070)	30-1/4 (768)	14-1/4 (362)
45" Models	45-7/8 (1165)	70-3/8 (1788)	49-3/4 (1264)	35-1/4 (895)	17-1/2 (445)
55" Models	55-7/8 (1420)	82-3/4 (2102)	58-1/2 (1486)	41-3/8 (1051)	21-1/2 (547)

Model	A *	B	C	D	E
35" Models	35-7/8 (911)	29 (737)	42 (1067)	18 (458)	31-1/2 (547)
45" Models	45-7/8 (1165)	29 (737)	42 (1067)	18 (458)	31-1/2 (547)
55" Models	55-7/8 (1420)	29 (737)	42 (1067)	18 (458)	N/A

C = Height for installations with 12" section directly off unit then elbow

E = Height for installations with elbow directly off unit (see note below)

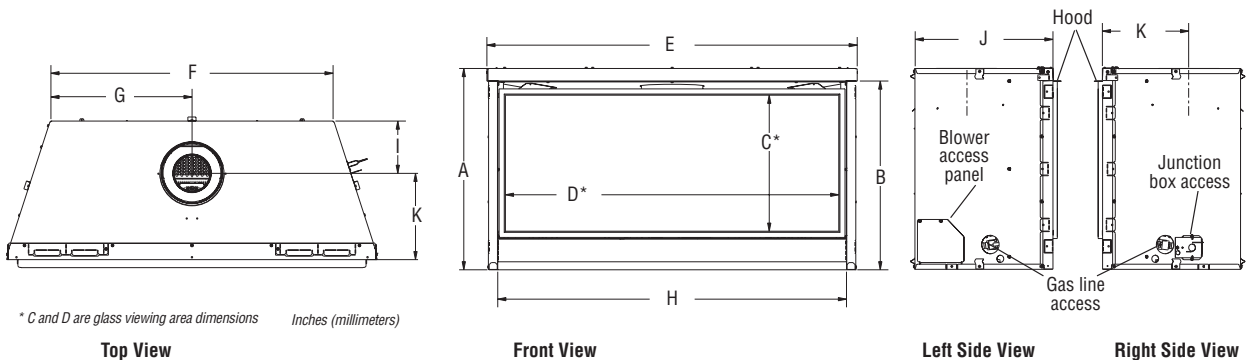
* Minimum opening size; additional 1/8" per side is recommended.

NOTE: Framing specifications do NOT apply for flexible venting. When using flexible venting, refer to the kit requirements for framing specifications.

NOTE: 35" & 45" model = Strongly recommend at least 1 ft of vertical rise directly off top of unit.

55" = 1 ft of vertical rise is required directly off unit.

Fireplace Dimensions



* C and D are glass viewing area dimensions Inches (millimeters)

Model	A	B	C*	D*	E	F	G	H	I	J	K
35" Models	24-3/4 (629)	23-1/4 (591)	16-3/4 (426)	30 (762)	35-1/2 (902)	24-3/4 (629)	12-3/8 (315)	32-7/8 (835)	6-1/2 (166)	17 (432)	10-5/8 (270)
45" Models	24-3/4 (629)	23-1/4 (591)	16-3/4 (426)	40 (1016)	45-1/2 (1156)	34-3/4 (883)	17-3/8 (442)	42-7/8 (1089)	6-1/2 (166)	17 (432)	10-5/8 (270)
55" Models	24-3/4 (629)	23-1/4 (591)	16-3/4 (426)	50 (1270)	55-1/2 (1410)	44-3/4 (1137)	22-3/8 (569)	52-7/8 (1344)	6-1/2 (166)	17 (432)	10-5/8 (270)

NOTE: DIAGRAMS & ILLUSTRATIONS ARE NOT TO SCALE.

DRL2000 & DRL3500 SERIES

Product Information

Fireplace Reference Information				
Cat. No.	Model	Description	Shipping Wt.	Shipping Vol.
F4182	DRL2035TEN	35" Linear DV, Elec NG	101 lb.	9.3 cu. ft.
F4183	DRL3535TEN	35" Linear DV, Lights, Blower, Elec NG	101 lb.	9.3 cu. ft.
F4186	DRL2045TEN	45" Linear DV, Elec NG	126 lb.	11.9 cu. ft.
F4187	DRL3545TEN	45" Linear DV, Lights, Blower, Elec NG	126 lb.	11.9 cu. ft.
F4236	DRL2055TEN	55" Linear DV, Elec NG	133 lb.	14.8 cu. ft.
F4237	DRL3555TEN	55" Linear DV, Lights, Blower, Elec NG	143 lb.	14.8 cu. ft.

Listing Information



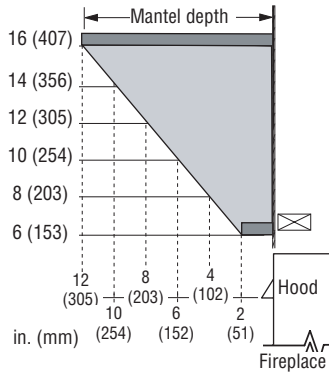
Report No. F19-008

Listed by PFS TECO to - ANSI Z21.88 (in Canada, CSA-2.33), and CAN/CGA-2.17-M91 in both USA and Canada, as a vented gas fireplace heater.

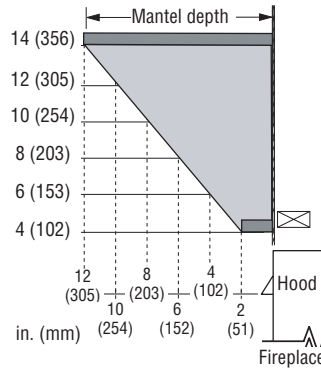
Clearances

Mantel Clearance

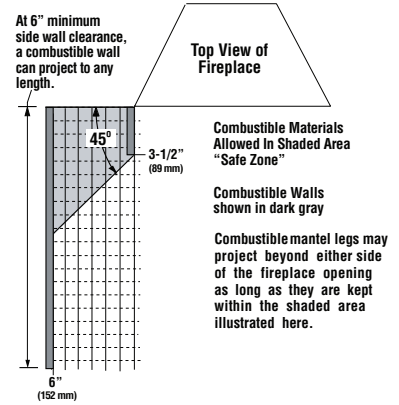
Mantel Height DRL3500 Series Models



Mantel Height Standard DRL2000 Series Models



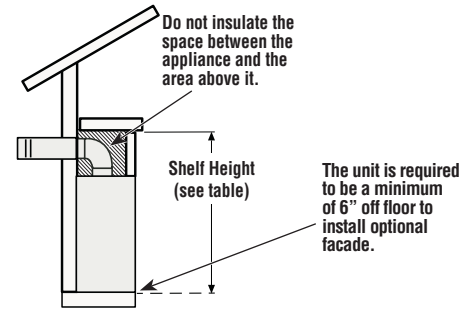
Side Wall Clearance



Shelf Height

Model	Top Vent with one 90° Elbow* (55" models require 12" of vertical rise directly off unit)	
	Secure Vent® (using rigid elbow)	Secure Flex® (using flex elbow)
35" Models	47" (1194 mm)*	49" (1245 mm)*
45" Models	52" (1321 mm)*	54" (1372 mm)*
55" Models	62" (1575 mm)*	64" (1626 mm)*

* Includes 3" clearance to combustibles (required above vent components)

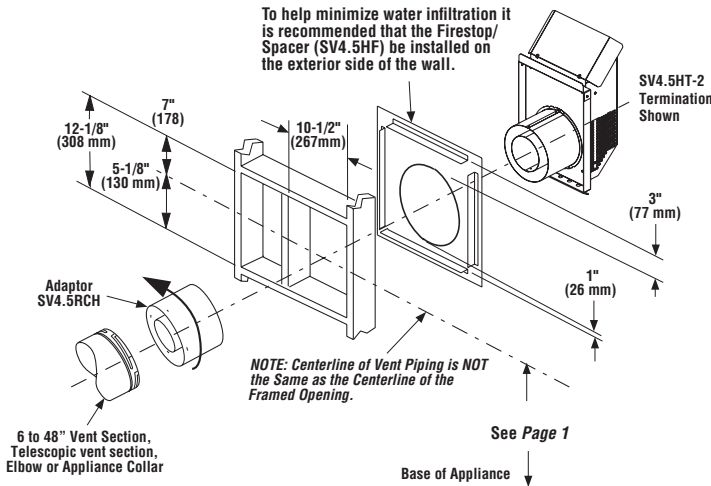


Shelf Above Fireplace With Top Venting

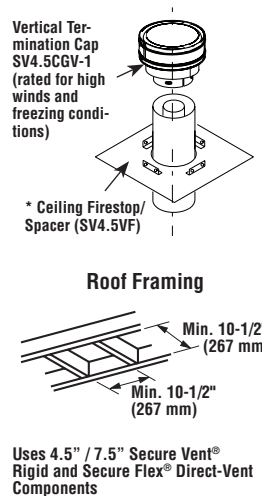
Specifications and clearances are subject to change without notice. Refer to Installation and Operation Manual before installation of these appliances for updated dimensions and instructions.

Venting

Horizontal Termination



Vertical Termination



Typical Installations

