

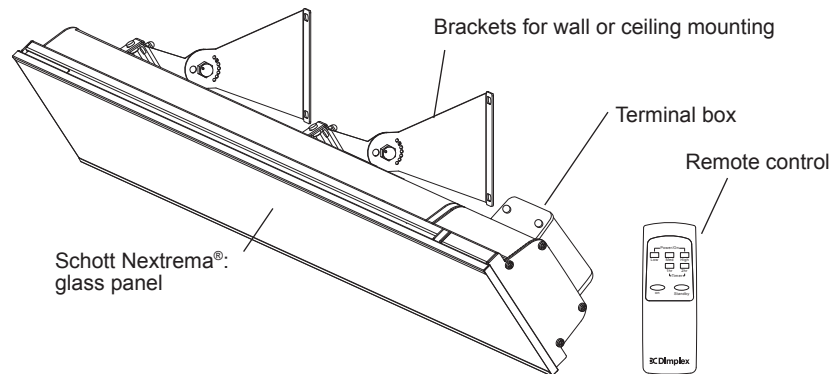
## Heater Installation

### HOW TO OPERATE THE HEATER:

What's included with your Dimplex DIR Series Heater

- IR Heater
- Operating and Installation Instructions
- One small box containing 2 sets of brackets and mounting hardware
- One remote control

**Figure 1**



### Technical Specification

MODEL NAME	DIR15A10GR	DIR18A10GR	DIR22A10GR	DIR30A10GR
Voltage	120V 60Hz	240V 60Hz	240V 60Hz	240V 60Hz
Rated power (Watts)	1500	1800	2200	3000
Installation Mounting height	Wall-mounted Ceiling-mounted	Wall-mounted Ceiling-mounted	Wall-mounted	Wall-mounted
Minimum	2.4 M (7.9 ft.)	2.4 M (7.9 ft.)	2.4 M (7.9 ft.)	2.4 M (7.9 ft.)
Electric protection class	I	I	I	I
Outdoor Rated	Yes	Yes	Yes	Yes
Unit dimensions LxWxH (mm / in) (without bracket)	902 x 170 x 128 35-1/2 x 6-3/4 x 5	902 x 170 x 128 35-1/2 x 6-3/4 x 5	902 x 170 x 128 35-1/2 x 6-3/4 x 5	1286 x 170 x 128 50-5/8 x 6-3/4 x 5

## Heater Installation

### **RISK OF FIRE/ EXPLOSION**

**This heater should not be used in potentially explosive atmospheres. Do not use in areas where gasoline, paint or flammable liquids are used or stored.**

**Installation minimum clearances specified on the heater nameplate and in the owner's manual must be followed.**

**Before installation, read this manual carefully and keep for future reference.**

The heater must be installed in accordance with the manufacturer's installation instructions.

1. This equipment shall be installed only by qualified personnel who are familiar with the construction and operation of the apparatus and hazard involved.

**⚠ WARNING:** The heater is fitted with an electrical connection box and should be connected as a fixed installation by a licensed electrical professional. Wiring procedures and connections should be in accordance with the National Electric Code (NEC) and local codes.

2. Within USA, electrical installation shall be made in accordance with the National Electrical Code.
3. Within Canada, electrical installation shall be made according to the provisions of section 62 of the Canadian electrical code part 1.
4. Wiring procedures and connections shall be in accordance with the national and local codes having jurisdiction.

**⚠ CAUTION:** Disconnect electric power supply before working on circuit wiring to prevent electric shock.

**⚠ CAUTION:** When installing outdoors we recommend the heater is positioned where it will be protected from exposure to extreme weather such as snow and ice.

**⚠ CAUTION:** This heater must be grounded.

**⚠ CAUTION:** Electrical connection must have ground fault protection (GFCI or GFI).


**⚠ CAUTION:** A circuit breaker is required for proper installation, do not load beyond 80% capacity.

**⚠ CAUTION:** High temperature, risk of fire, keep electrical cords, drapery, furnishings, and other

## Heater Installation

combustibles at least 0.9 m (3 ft) from the front of the heater and away from the side and rear.

5. The heater is designed for outdoor and indoor use and should not be used for any other purpose. Any other use not recommended by the manufacturer may cause fire, electric shock, or injury to persons.
6. Before commencing installation make sure the electrical supply voltage is the same as that shown on the rating plate of the heater.
7. The heater must be mounted at least 2.4 m (8 ft) above ground level. For other clearance please refer to the diagram included in these instructions.
8. To reduce the risk of fire, do not store or use gasoline or other flammable vapors and liquids in the vicinity of the heater
9. The heater is not intended for use in bathrooms, laundry areas or similar indoor areas. Never locate heater where it may fall into a bathtub, pool, spa, or other water container.
10. Do not install the heater directly near a bathtub, shower or swimming pool. Any switches or controls must not be within reach of a person in the bathtub, shower or swimming pool.
11. Ensure that the heater had been securely fastened in its final mounting position.
12. The heater can be only installed horizontally.
13. DO NOT install the heater vertically. Failure to do this may cause the heating element within the tube to sag and cause premature burnout.
14. There are no user-serviceable parts inside the heater. Any servicing other than regular cleaning of the heater should be performed by an authorized service professional.

 **WARNING:** The heater must not be used if the glass panels are damaged.

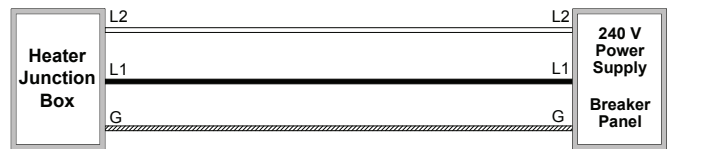
**! NOTE:** This heater comes with a pair of stainless steel adjustable angle mounting brackets. The adjustable angle enables the heater to be installed on horizontal and inclined surfaces.

## Wiring Instructions

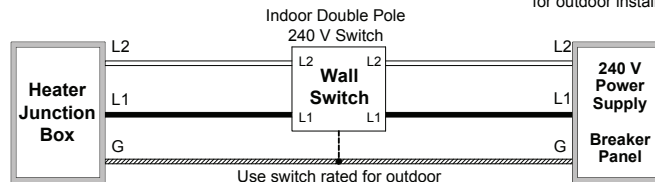
### WIRING INSTRUCTIONS:

DIR15A10GR is to be wired to a 120V circuit while DIR18A10GR, DIR22A10GR and DIR30A10GR are to be wired to a 240V circuit. These heaters must be wired to the this circuit in such a way that the heater can be turned off directly at the circuit breaker in the event of an emergency. Sample wiring diagrams have been included below for quick reference.

#### 240 V 15A

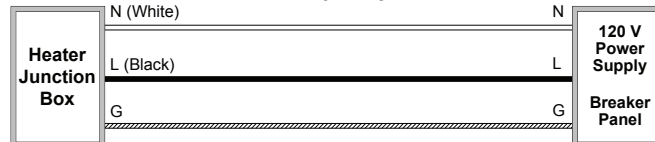


Use GFCI breaker for outdoor installations

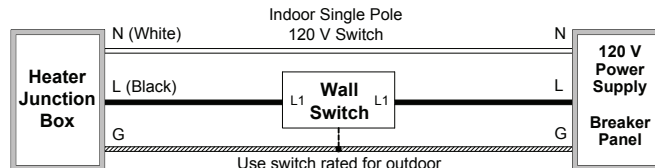


Use switch rated for outdoor applications, if applicable

#### 120 V 15A



Use GFCI breaker for outdoor installations



Use switch rated for outdoor applications, if applicable

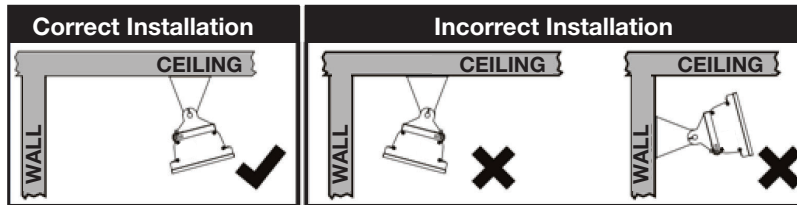
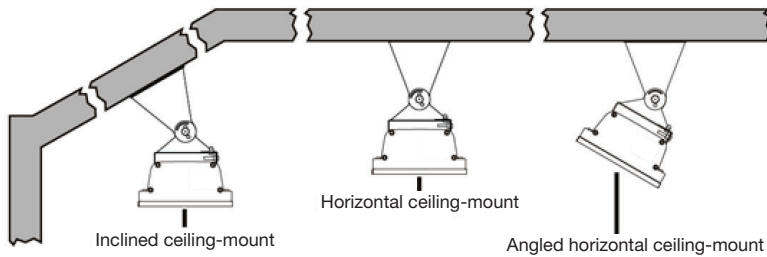
Use GFCI breaker for outdoor installations

## 🔑 Site Selection

### SITE SELECTION:

Ceiling mounted (DIR15A10GR, DIR18A10GR).

**⚠️ WARNING:** DIR22A10GR and DIR30A10GR CANNOT be ceiling-mounted.



**⚠️ WARNING:** The heater must never be installed in the upwards or inwards facing position, the heating surface must always be positioned to direct the heat in a downwards or outwards direction.

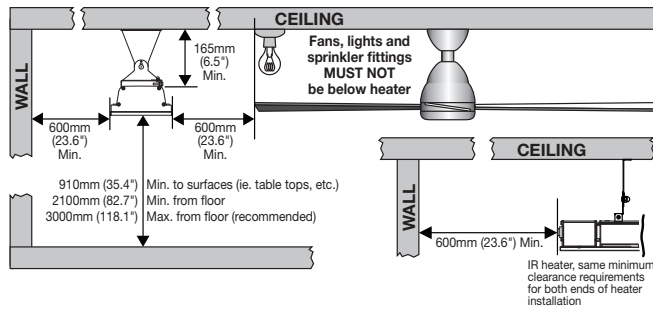
**⚠️ WARNING:** DO NOT install the heater vertically. Failure to follow these instructions can cause the heating element within the tube to sag and cause premature burnout.

### Clearances

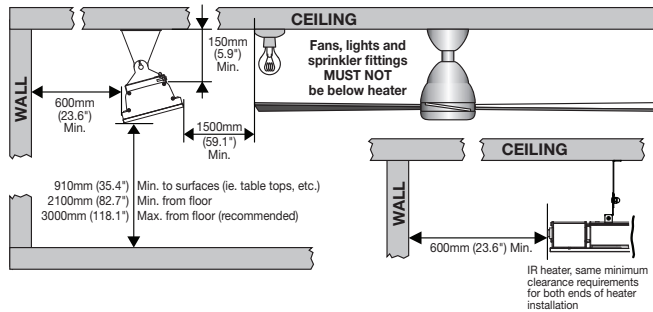
To ensure that all minimum clearances are achieved please refer to the diagrams on page 11.

## Site Selection

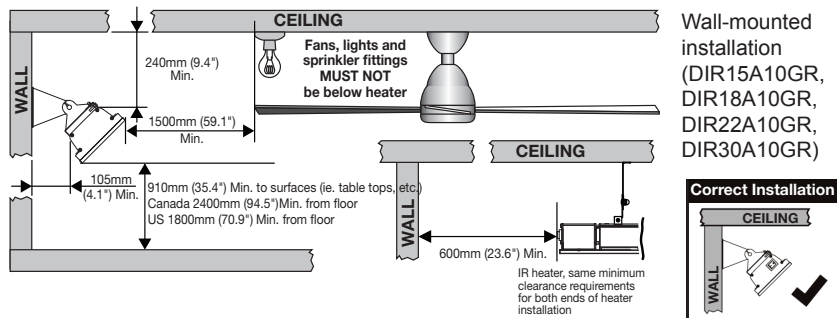
Minimum clearances when mounting the heater parallel with a ceiling.



Minimum clearances when mounting the heater at an angle to the ceiling.



Minimum clearances when mounting the heater on A VERTICAL WALL.

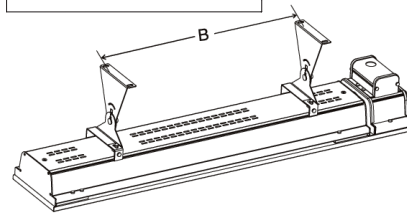
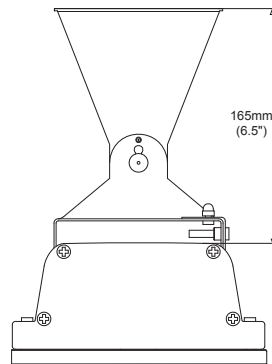
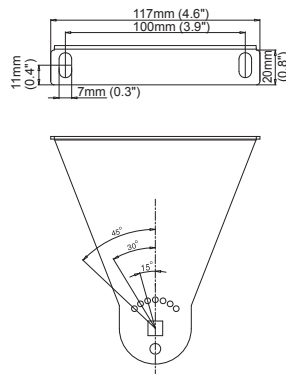




## Installation

**⚠ WARNING:** Mounting of the infrared heater and its connection to the electric mains should be carried out only by qualified professionals according to the Electrical Installation Regulations and Power System Safety Standards and comply with all national and local electrical codes.

1. Open the package and carefully remove the heater.
2. Remove the packing paper sheet from the end of heater.
3. Take out one pair of mounting brackets. These adjustable brackets allow direct ceiling or wall mount, and come with preset angle options of parallel, 30°, 45° and height 165 mm (6.5 in).



4. Use the above diagrams as a guideline for proper installation. Select the heater location on the ceiling or wall by locating the stud or structural beams to ensure secure fastening of the heater. Ensure that all minimum clearances are achieved.
5. Install two brackets on the ceiling or wall with the following minimum recommended bracket distance "B". Ensure brackets are level and not slanted diagonally.

Model Number	"B" MINIMUM DISTANCE
DIR15A10GR	500 mm ±50 mm (19.7" ± 2.0")
DIR18A10GR	500 mm ±50 mm (19.7" ± 2.0")
DIR22A10GR	500 mm ±50 mm (19.7" ± 2.0")
DIR30A10GR	650 mm ±50 mm (25.6" ± 2.0")



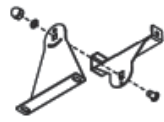
## Installation

6. Set the adjustable angle mounting brackets to the desired angle and fasten brackets with an adjustable wrench.

For ceiling-mounted installation, the available mounting angles are restricted to 0° and 30° only.

For wall-mounted installation, the available mounting angles are restricted to 30° and 45° only.

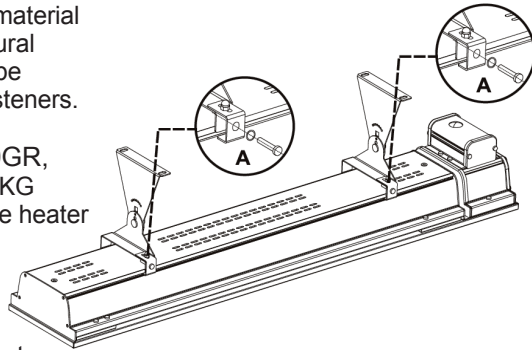
For the DIR 2200W / 3000W, ceiling mounted installation is prohibited.



	0°	15°	30°	45°
CEILING				
WALL				

7. Hang the heater on the brackets and firmly tighten bolts on the bracket to compress the two plates together as shown in Figure A.

**! NOTE:** Depending on material and design of ceiling structural elements, the heater must be secured with the correct fasteners. The weight of the heaters DIR15A10GR, DIR18A10GR, DIR22A10GR is up to 5.3 KG (11.7 lbs.). The weight of the heater DIR30A10GR is 6.8 KG (15.0 lbs.). The installation structure and hardware must be able to hold 5 times the weight of the heater.







## Electrical Installation

**⚠ WARNING:** This Heater **MUST** be permanently installed and hard wired by an authorized / licensed electrical professional. Do not perform maintenance or carry out installation or assembly procedure while electrical power is switched on.

**⚠ CAUTION:** A circuit breaker is required for proper installation. Do not load beyond 80% capacity. The type of circuit breaker must be C curve type.

1. DIR15A10GR (1500W) is designed for connection to the 120V~ 60Hz electric mains equipped with a grounding wire.
2. DIR18A10GR (1800W), DIR22A10GR (2200W) and DIR30A10GR (3000W) heater is designed for connection to the 240V~ 60Hz electric mains equipped with a grounding wire.

3. The heater must not be located immediately below an electrical connection. Power point should not be located at the back of the heater. The power point needs to be located outside the physical footprint of the heater to minimize heat build-up behind the heater.
4. If the heater is to be mounted on an incline (e.g. Vaulted ceiling), ensure the electrical connection point is below the heater.



## Electrical Installation

### WIRING INSTRUCTIONS

1. Check product label for correct voltage and wattage. Make sure power source conforms to the heaters requirements.
2. The junction box on the top of the heater has a gasket side access cover. The junction box inlet is drilled and threaded for a standard 19 mm (1/2") weather tight conduit fittings. The installing electrician will need to provide the appropriate rigid metallic, flexible or liquid tight conduit, conduit fittings for installation location.
3. For outdoor installation all connections must be made in accordance with local electrical code regulations for outdoor wiring. Only use wiring components approved for outdoor use with minimum NEMA Type 4x or equivalent.
4. Remove the screws holding the junction box cover. Make the electrical connections using wire nuts (not supplied). The green wire connects to the ground. The black wire connects to the black wire (neutral) from your house. The white wire connects to the white wire (live) from your house;
5. Assemble the junction box cover & gasket. Ensure that the junction box cover gasket (supplied with unit) is installed to maintain rain water ingress protection rating of the heater. Failure to install correctly will void the manufacturer's warranty.

