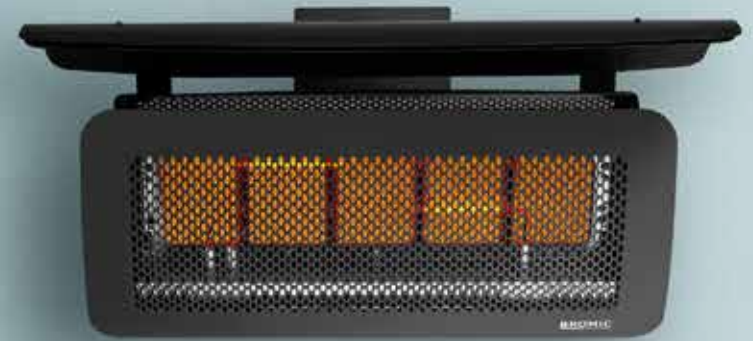


TUNGSTEN SMART-HEAT™ GAS

Our Tungsten Smart-Heat™ Gas heater has a durable, soft flowing curved fascia and engineered body, which produces formidable heat to create a truly comfortable outdoor space. Its easy pivot arm allows for greater positioning and directional heat control. This heater also has a range of accessories available to provide versatility in mounting & controller options.



500 SERIES



300 SERIES

SPECIFICATIONS

Reference the specification guide below to help you select the correct solution for your needs.

| MODEL NUMBER | 300 SERIES | 500 SERIES |
|-------------------------|---------------------------|---------------------------|
| PRODUCT CODE | BH0210002-1 BH0210001-1 | BH0210004-1 BH0210003-1 |
| FUEL TYPE | LPG NG | LPG NG |
| COLOR | BLACK | BLACK |
| HEAT AREA | 160FT ² | 215FT ² |
| ELECTRICAL CONNECTION | 110V/2A | 110V/2A |
| MINIMUM FLOOR CLEARANCE | 96" | 96" |
| OUTPUT | 26,000 BTU | 43,000 BTU |

MOUNTING OPTIONS

| | | |
|------------------------|---|---|
| CEILING MOUNT | ✓ | ✓ |
| WALL MOUNT | ✓ | ✓ |
| RECESSED FLUSH MOUNT | - | - |
| CEILING POLE MOUNT | ✓ | ✓ |
| FREESTANDING | - | - |

CONTROL OPTIONS

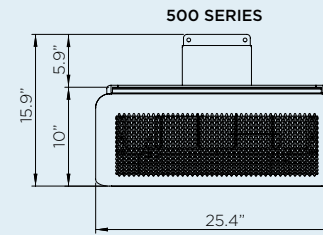
| | | |
|-----------------------|-------------|-------------|
| ON OFF | ✓ | ✓ |
| ON OFF PRODUCT CODE | BH3130010-1 | BH3130010-1 |
| DIMMER | - | - |
| MASTER REMOTE | - | - |

Measurements displayed within this catalogue are minimum requirements for installation. Bromic takes no responsibility for incorrect or non-compliant installations. All measurement in this catalogue are displayed in inches.

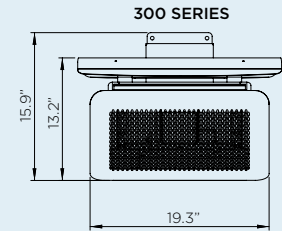
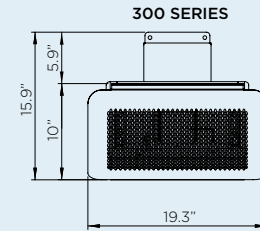
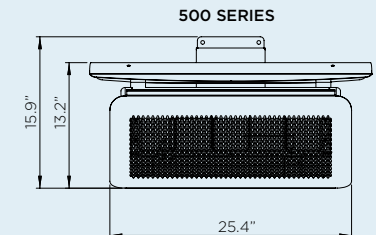
DIMENSIONS

With a wide range of sizes available, find the ideal heater to suit your outdoor space.

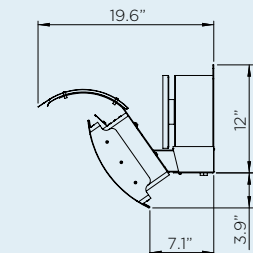
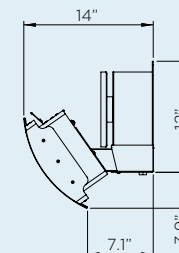
FRONT PROFILE



+ HEAT DEFLECTOR



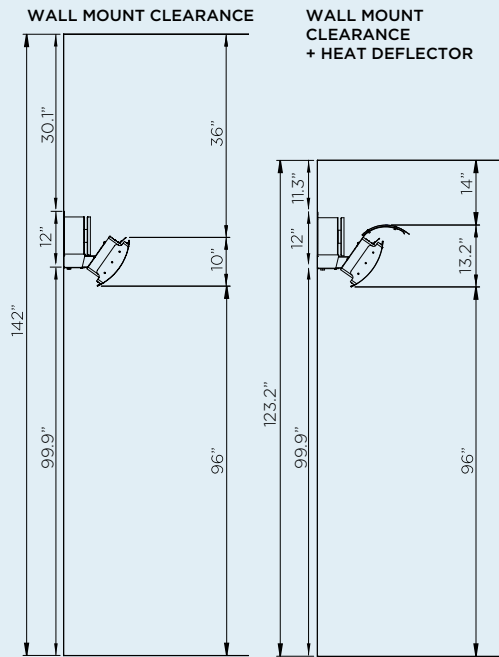
SIDE PROFILE



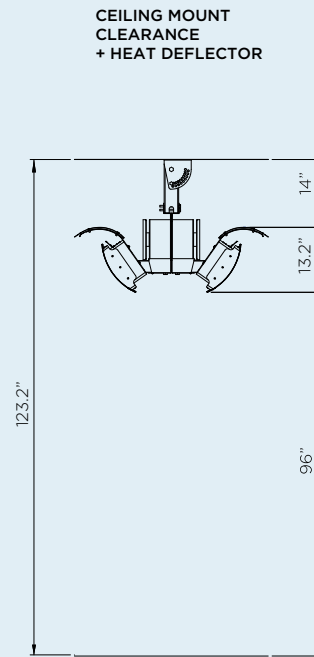
MOUNT OPTIONS

With a wide array of mounting options, Brovic offers solutions to compliment any décor and provide functionality for ambiance and comfort.

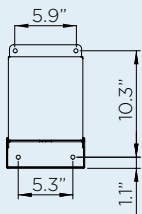
WALL MOUNT



CEILING MOUNT



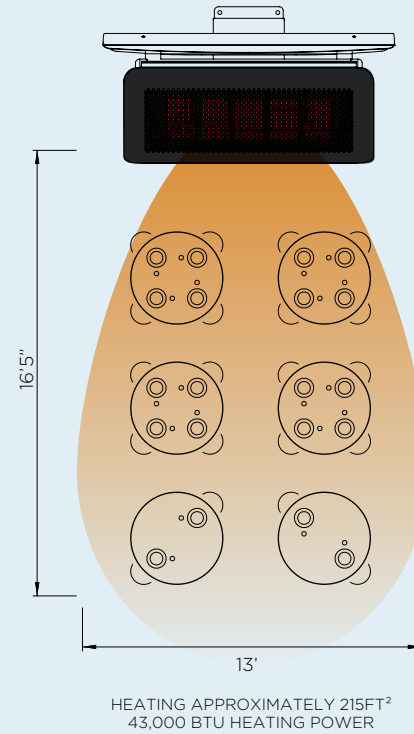
WALL BRACKET



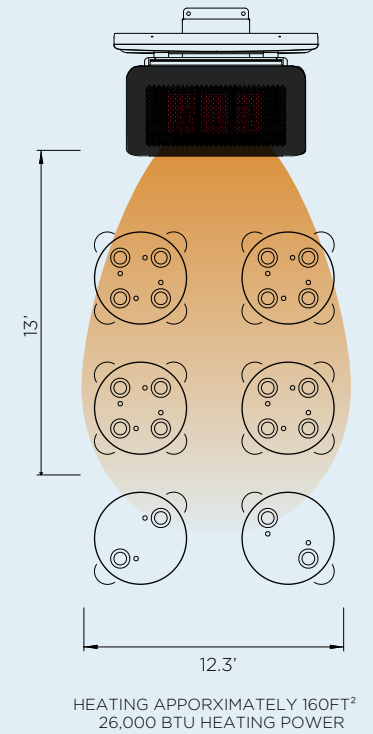
HEATING REACH

Creating ideal comfort levels, Brovic heaters offer a variety of heat distribution options to suit your outdoor heating needs.

500 SERIES



300 SERIES



CONTROL OPTIONS



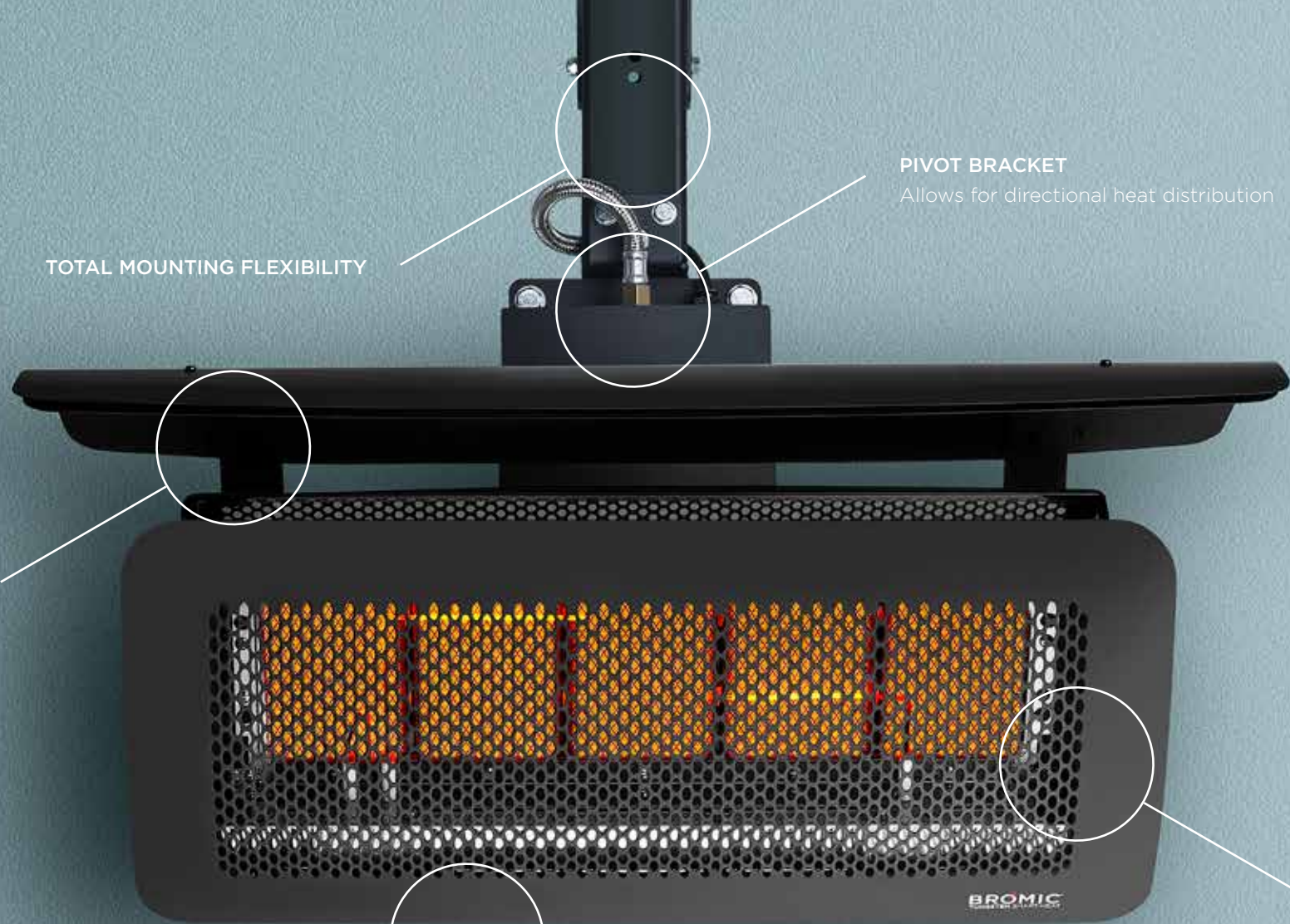
ON | OFF CONTROL



MASTER REMOTE



EXTEND YOUR COMFORT OUTDOORS
WITH THE SUPERIOR HEAT AND
AWARD-WINNING DESIGN OF OUR
SMART-HEAT™ OUTDOOR HEATERS.



TOTAL MOUNTING FLEXIBILITY

PIVOT BRACKET
Allows for directional heat distribution

PATENTED PERFORMANCE
Superior wind resistance

UNIQUE DESIGN
Honeycomb fascia enables precise heat distribution

HIGH PERFORMANCE CONSTRUCTION
Matte black stainless-steel body

ASIA PACIFIC | NORTH AMERICA | EUROPE

Bromic pursues a policy of continuing improvement in design and performance of its products. The right is therefore reserved to vary specifications without notice.