

Installation Guide

Model

BF33STP/DXP

BF39STP/DXP

BF45DXP

IMPORTANT SAFETY INFORMATION: Always read this manual first before attempting to install or use this fireplace. For your safety, always comply with all warnings and safety instructions contained in this manual to prevent personal injury or property damage.

To view the full line of Dimplex products, please visit
www.dimplex.com

7206350500R09

Table of Contents

Listing and Code Approvals	3
Model Specifications	3
Step-by-Step Installation	3
Section A: Installation information	4
Framing Dimensions	4
Mounting Flanges	4
Section B: General Electrical Information	5
Recommended Power Supply Wire Specifications	5
Voltage Selector Switch Location	5
Section C: Direct Power Wiring	6
240V Installation	6
120V Installation	6
120V Installation - No Heat Installation	7
Section D: Alternate Control Options	8
240V Main Power Wall Switch	8
120V Main Power Wall Switch	9
120V Main Power Wall Switch - No Heat	10
120V/240V Heater Wall Switch Control	11
120V/240V Wall Mounted Thermostat	12
120V/240V Wall Mounted Flame Override Switch	13
Wall Remote - WRCPF-KIT	14
Unit Internal Wiring Diagram	14

! NOTE: Procedures and techniques that are considered important enough to emphasize.

⚠ CAUTION: Procedures and techniques which, if not carefully followed, will result in damage to the equipment.

⚠ WARNING: Procedures and techniques which, if not carefully followed, will expose the user to the risk of fire, serious injury, or death.

LISTING AND CODE APPROVALS

The BF series fireplaces have been tested in accordance with the UL 2021 and CSA C22.2 No. 46 standards for fixed and location-dedicated electric room heaters.

MODEL SPECIFICATIONS

Model Number	Description	Voltage	Rated Power (Watts)	Remote Control	Wall Thermostat	Refractory Brick Look	Current Draw (Amps)			
							No Heat 120V	120V	208V	240V
BF45DXP	45" Deluxe	120/120/ 208/240	245/1440/ 2100/2700	Optional	Optional	Included	2.0	12.0	10.10	11.25
BF39DXP	39" Deluxe					Included	2.0	12.0	10.10	11.25
BF39STP	39" Standard					N/A	2.0	12.0	10.10	11.25
BF33DXP	33" Deluxe					Included	2.0	12.0	10.10	11.25
BF33STP	33" Standard					N/A	2.0	12.0	10.10	11.25

! **NOTE:** Power ratings shown include the light bulbs and motors (275 watts)

The installation of the fireplace unit must comply with the applicable Local and/or National Electrical Codes and utility requirements. This installation should be entrusted to duly qualified personnel where required by law.

STEP-BY-STEP INSTALLATION

! **NOTE:** Please read all instructions before installing.

1. Rough in framing opening following the recommended dimensions located in Section A: Framing Dimensions.
2. Allow 8" (20.3 cm) of service cable for connecting power supply wire to junction box on fireplace when installing before finishing wall. Allow up to 4' (121.9 cm) of service cable for connecting power supply wire to junction box on fireplace when installing after finishing wall. Remove the outer jacket and strip the individual conductors ½" (1.3 cm) from the end.
3. Loosen the screw securing the junction box cover and remove the cover.
4. Remove knockouts, if necessary, or use the provided cable clamp.
5. Place unit in position in the framed opening, level with shims if necessary and attach unit to frame using mounting flanges provided (Figure 2).

6. Unit is factory wired for 208/240V power supply. If 120V operation is required, slide the switch and reconfigure the wiring (Section C). Wires L1, L2, N & G are attached to the rear of the junction box cable clamp for easy access.

! **NOTE:** If wiring unit to operate with **NO** heat a dedicated circuit may not be required.

7. Wire a dedicated, properly fused circuit with a 15amp rating for the appropriate voltage (120V, 208/240V). See Section C for factory setting wiring.
8. Make wall switch and or wall mounted thermostat connections as outlined in Section D.
9. Place all connectors inside the unit and secure the junction box cover to unit. Ensure that the cable clamp grips only the jacket of service cable, thermostat and if applicable wall switch lines.

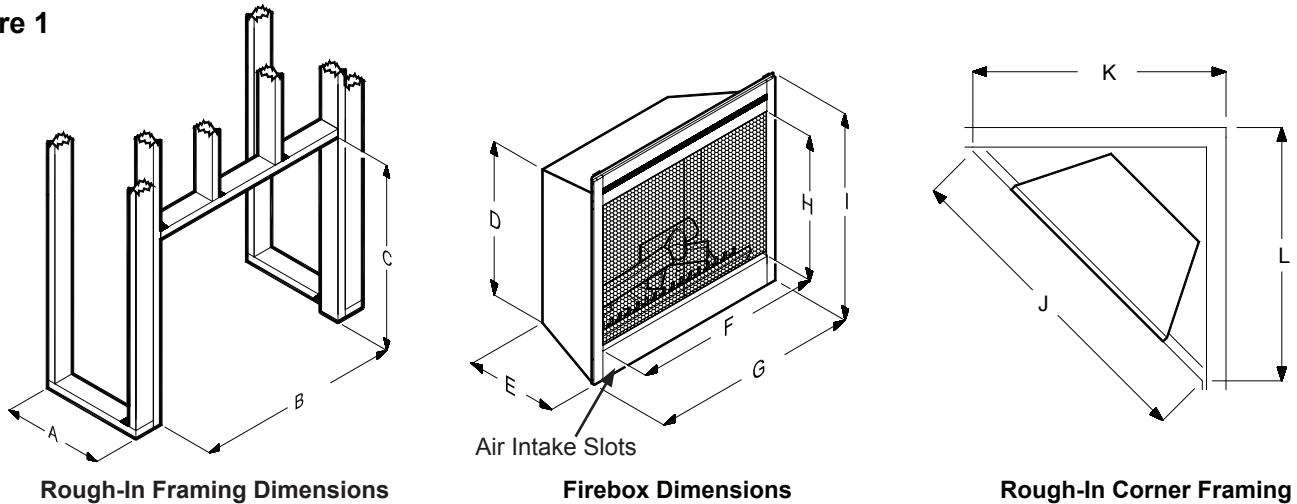
⚠ WARNING: Ensure method of installation does NOT obscure the air intake slots on bottom front of unit in any manner. (See diagram in Section A)

SECTION A: INSTALLATION INFORMATION

FRAMING DIMENSIONS

Model	A	B -0 / +0.1	C -0 / +0.1	D	E	F	G	H	I	J	K	L
BF45DXP	16.0" (40.5cm)	45" (114.3cm)	32.9" (83.6cm)	30.1" (76.5cm)	15.3" (38.9cm)	42.0" (106.7cm)	44.7" (113.5cm)	22.8" (57.9cm)	32.7" (83.1cm)	60.0" (152.4cm)	42.0" (106.7cm)	42.0" (106.7cm)
BF39STP/DXP	16.0" (40.5cm)	39" (99.1cm)	32.9" (83.6cm)	30.1" (76.5cm)	15.3" (38.9cm)	36.0" (91.4cm)	38.7" (98.3cm)	22.8" (57.9cm)	32.7" (83.1cm)	54.0" (137.2cm)	38.0" (96.5cm)	38.0" (96.5cm)
BF33STP/DXP	15.0" (38.1cm)	33.1" (84.1cm)	28.7" (72.9cm)	25.7" (65.3cm)	14.3" (36.3cm)	29.6" (75.2cm)	32.8" (83.3cm)	18.8" (47.8cm)	28.5" (72.4cm)	48.0" (121.9cm)	34.0" (86.4cm)	34.0" (86.4cm)

Figure 1



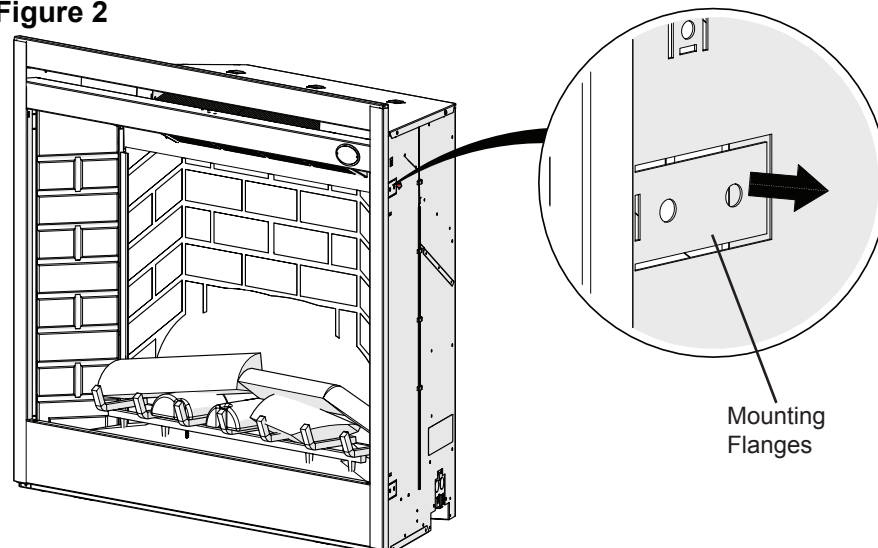
This fireplace is a zero clearance design, with the exception of the top of the unit, where any insulation and vapor barrier should be placed a minimum of 2" (5.1 cm) from the unit. No combustibles can be placed on the top surface of the fireplace.

CAUTION: Ensure installation does not allow fireplace to be in direct contact with building vapor barrier or insulation and meets all local building code.

Four mounting flanges on the sides of the unit are provided to facilitate installation.

MOUNTING FLANGES

Figure 2



There are two mounting flanges located on each side of the fireplace insert.

From the inside of the unit, bend tabs outward and mount to the inside of the framing using suitable hardware.

SECTION B: GENERAL ELECTRICAL INFORMATION

RECOMMENDED POWER SUPPLY WIRE SPECIFICATIONS

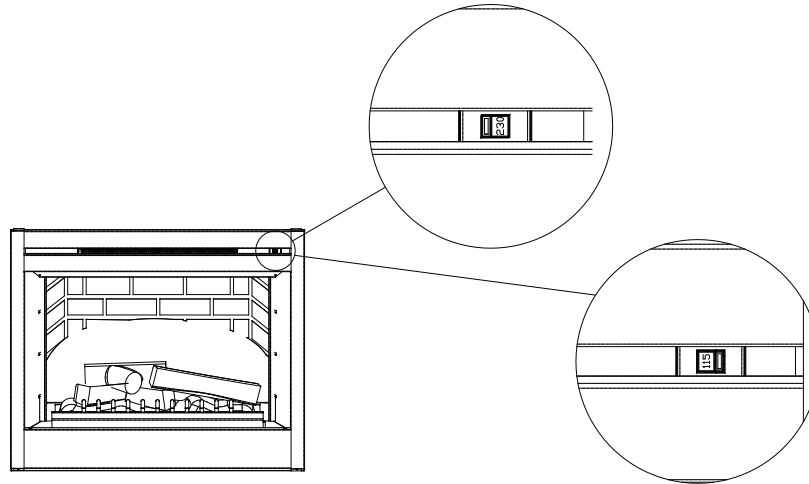
For 120V installations use two conductor, non-metallic sheath cable with ground wire (3 wires total) for the incoming power supply on fireplace inserts. Use the appropriate wire to meet local and national electrical codes for rated power consumption.

For 208V / 240V installations use three conductor, non-metallic sheath cable with ground wire (4 wires total) for the incoming power supply on fireplace inserts. Use the appropriate wire to meet local and national electrical codes for rated power consumption.

Two conductor, non-metallic sheath cable with ground wire (3 wires total) is recommended for installation of a wall mounted thermostat and/or wall switch for use on fireplace inserts. Use appropriate wire to meet local and national electrical codes for rated power consumption. All wire gauges should match the recommended wire sizes shown below.

Voltage	Wire Gauge	Fuse Rating
120 Volts	14 Gauge	15 Amp
208 Volts	14 Gauge	15 Amp
240 Volts	14 Gauge	15 Amp

VOLTAGE SELECTOR SWITCH LOCATION



! IMPORTANT: Ensure that the incoming power supply voltage matches the setting of the voltage selector switch.

! NOTE: The voltage selector switch is located inside the exhaust panel on the top right hand corner.

⚠ CAUTION: When changing the voltage selector switch from 240V to 120V ensure that the power supply is turned off.

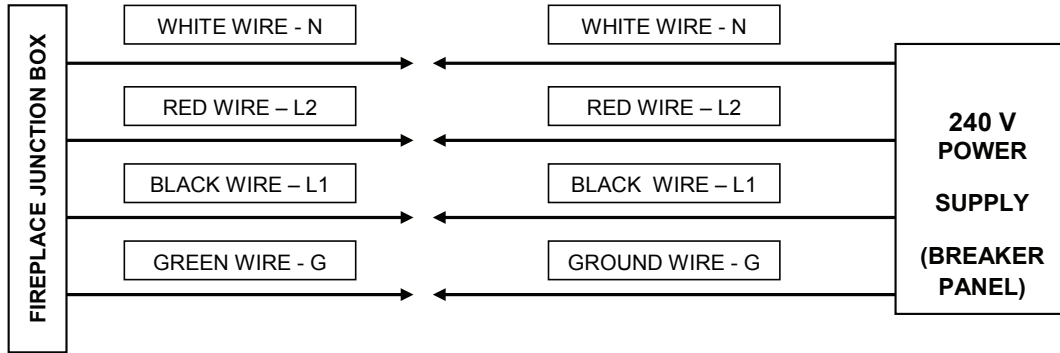
! NOTE: Carefully insert a flat headed screwdriver inside the exhaust panel to change the switch from 240V (230 position) to 120V (115 position).

When wiring the unit for 208V / 240V the voltage selector switch should be in the 230V position.

When wiring the unit for 120V the voltage selector switch should be in the 115V position.

SECTION C: DIRECT POWER WIRING

240V INSTALLATION



! **IMPORTANT:** The unit is factory configured for 208/240V operation.

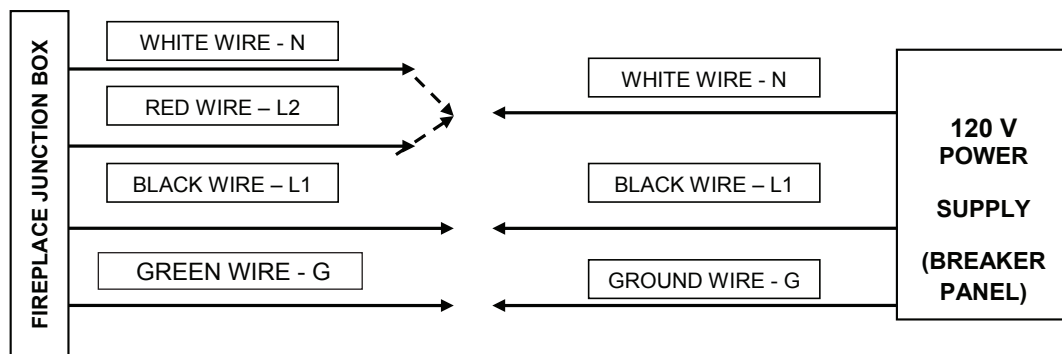
! **NOTE:** Use 3 conductor wires with ground (4 wires total) from the power supply (breaker panel) to the junction box on the unit.

! **NOTE:** All wiring must be completed prior to installing the unit.

! **NOTE:** Ensure that the voltage selector switch is in the proper position for the required supply voltage prior to connecting the unit to the power supply.

1. Locate the voltage selector switch inside the exhaust panel on the top right hand corner of the unit. **Ensure that the switch is in the 240V position. (230 is printed on switch)**
2. Loosen the screw securing the junction box cover and remove the cover.
3. Remove the knockouts (if necessary) or use the provided cable clamp.
4. Pull out the four wires marked L1, L2, N, and G.
5. Connect L1 (black) from the unit to the L1 (black) from the power supply.
6. Connect L2 (red) from the unit to the L2 (red) from the power supply.
7. Connect N (white) from the unit to the Neutral (white) from the power supply.
8. Connect the ground wire (green) from the unit to the ground from the power supply.
9. Ensure that all connections are tight.
10. Insert all the wiring back into the unit and secure with a cable clamp.

120V INSTALLATION



! **IMPORTANT:** The unit is factory configured for 208/240V operation.

! **NOTE:** Use 2 conductor wires with ground (3 wires total) from the power supply (breaker panel) to the junction box on the unit.

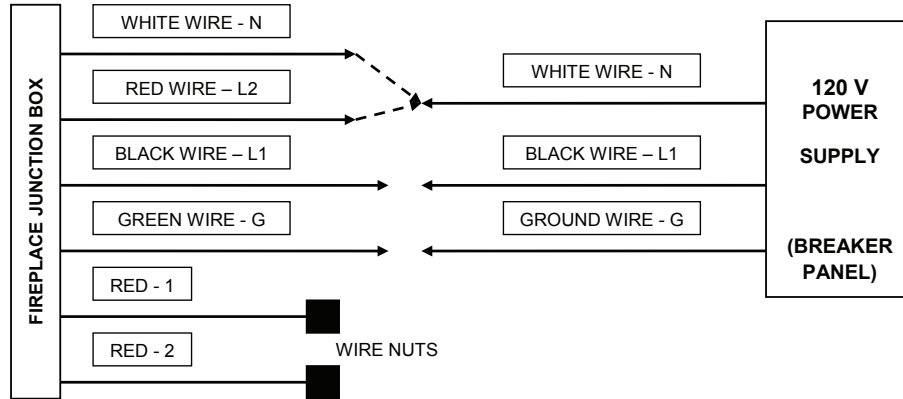
! **NOTE:** All wiring must be completed prior to installing the unit.

! **NOTE:** Ensure that the voltage selector switch is in the proper position for the required supply voltage prior to connecting the unit to the power supply.

1. Locate the voltage selector switch inside the exhaust panel on the top right hand corner of the unit. **Flip the switch from 240V to 120V configuration. (230 and 115 is printed on switch)**
2. Loosen the screw securing the junction box cover and remove the cover.

3. Remove the knockouts (if necessary) or use the provided cable clamp.
4. Pull out the four wires marked L1, L2, N, and G.
5. Connect L1 (black) wire from the unit to the L1 (black) from the power supply.
6. Connect L2 (red) and N (white) from the unit to the Neutral (white) from the power supply.
7. Connect the ground wire (green) from the unit to the ground from the power supply.
8. When the unit has been configured for the appropriate power supply voltage, ensure that all connections are tight.
9. Insert all the wiring back into the unit and secure with a cable clamp.

120V INSTALLATION - NO HEAT INSTALLATION



! **IMPORTANT:** The unit is factory configured for 208/240V operation.

! **NOTE:** Use 2 conductor wires with ground (3 wires total) from the power supply (breaker panel) to the junction box on the unit.

! **NOTE:** All wiring must be completed prior to installing the unit.

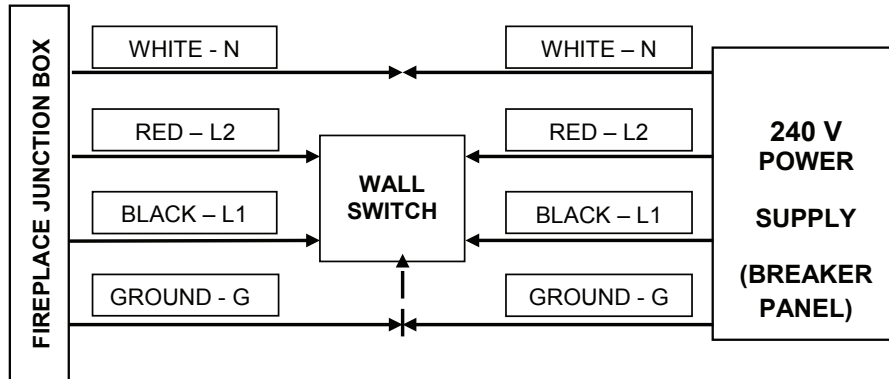
! **NOTE:** Ensure that the voltage selector switch is in the proper position for the required supply voltage prior to connecting the unit to the power supply.

! **NOTE:** the fan will operate without heat in this application.

1. Locate the voltage selector switch inside the exhaust panel on the top right hand corner of the unit. **Flip the switch from 240V to 120V configuration. (230 and 115 is printed on switch)**
2. Loosen the screw securing the junction box cover and remove the cover.
3. Remove the knockouts (if necessary) or use the provided cable clamp.
4. Pull out the four wires marked L1, L2, N, and G.
5. Connect L1 (black) wire from the unit to the L1 (black) from the power supply.
6. Connect L2 (red) and N (white) from the unit to the Neutral (white) from the power supply.
7. Connect the ground wire (green) from the unit to the ground from the power supply.
8. Locate and separate, by installing a wire nut on the 1 (red) and 2 (red).
9. When the unit has been configured for the appropriate power supply voltage, ensure that all connections are tight.
10. Insert all the wiring back into the unit and secure with a cable clamp.

SECTION D: ALTERNATE CONTROL OPTIONS

240V MAIN POWER WALL SWITCH



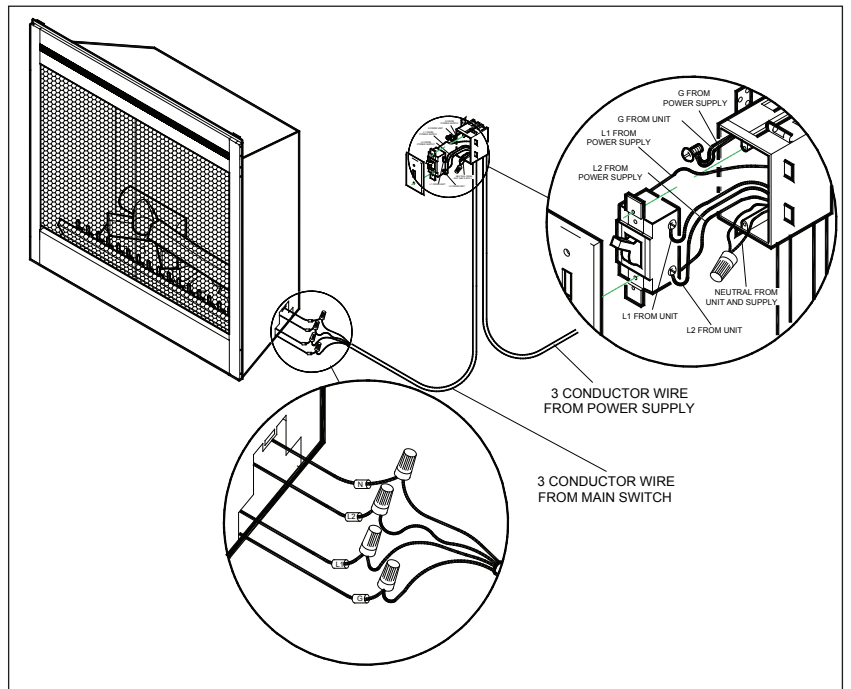
! **NOTE:** This option should **not** be used with the remote control kit.

! **NOTE:** Before installing the unit have the following wires installed:

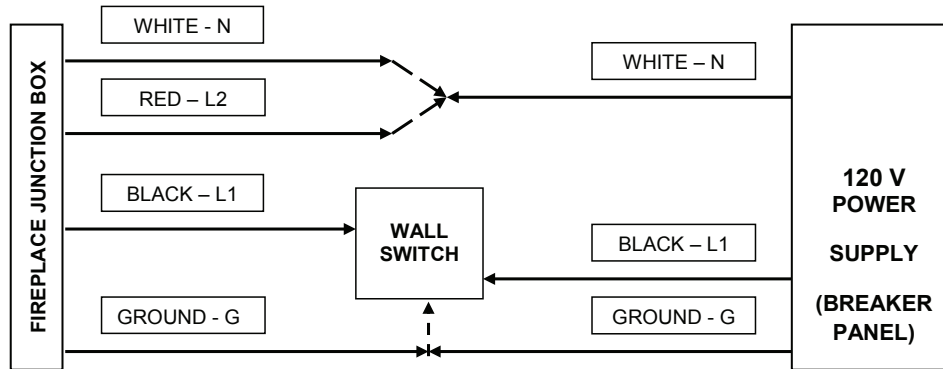
1. A 3 conductor wire with ground (4 wires total) from the power supply panel to the main switch wall box.
2. A 3 conductor wire with ground (4 wires total) from the main switch wall box to the junction box on the unit.

! **NOTE:** Use a double pole, single throw (On/Off) wall switch that is rated for a minimum of 15 amps.

1. Locate the voltage selector switch inside the exhaust panel on the top right hand corner of the unit. **Ensure that the switch is in the 240V position. (230 is printed on switch)**
2. Loosen the screw securing the junction box cover and remove the cover.
3. Remove the knockouts (if necessary) or use the provided cable clamp.
4. Pull out the four wires marked L1, L2, N, and G. (black, red, white and green)
5. Connect the L1 (black) wire from the unit to the L1 (black) wire from the main power wall switch by using a wire connector (not supplied).
6. Connect other end of L1 (black) wire from the main power wall switch to the L1 terminal of the main power wall switch.
7. Connect the L2 (red) wire from the unit to the L2 (red) wire from the main power wall switch by using a wire connector (not supplied).
8. Connect the other end of the L2 (red) wire from the main power wall switch to the L2 terminal of the main power wall switch.
9. Connect the N (white) wire from the unit to the N (white) wire from the main power wall switch by using a wire connector (not supplied).
10. Connect the G (green) wire from the unit to the G (green) wire from the main power wall switch by using a wire connector (not supplied).
11. Connect the L1 wire from the power supply to the L1 terminal of the main power wall switch.
12. Connect the L2 (black) wire from the power supply to the L2 terminal of the main power wall switch.
13. Connect the N (white) wire from the power supply to the remaining N (white) wire from the unit by using a wire connector.
14. Secure the 2 remaining G (green) wires with a ground screw in the main switch wall box.
15. Ensure that all connections are tight.
16. Insert all the wiring of the main power wall switch into the main switch wall box.
17. Insert all the wiring back into the unit and secure with a cable clamp.



120V MAIN POWER WALL SWITCH



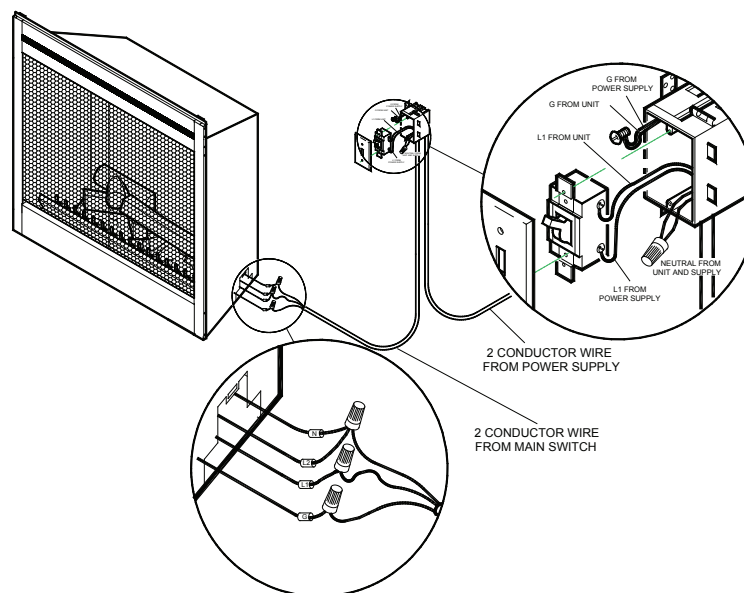
! **NOTE:** This option should **not** be used with the remote control kit.

! **NOTE:** Before installing the unit have the following wires installed:

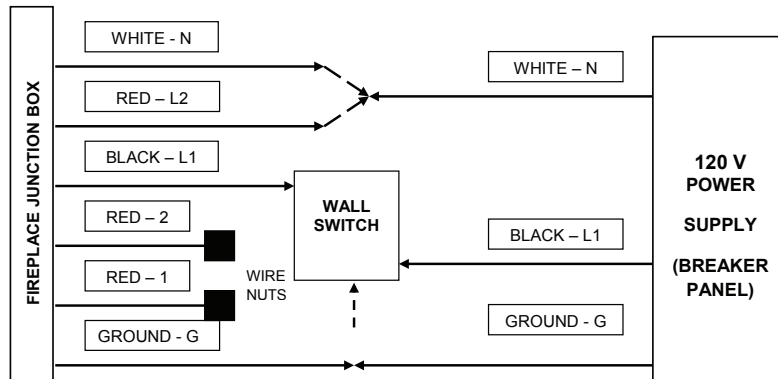
1. A 2 conductor wire with ground (3 wires total) from the power supply panel to the main switch wall box.
2. A 2 conductor wire with ground (3 wires total) from the main switch wall box to the junction box on the unit.

! **NOTE:** Use a single pole, single throw (On/Off) wall switch that is rated for a minimum of 15 amps.

1. Locate the voltage selector switch inside the exhaust panel on the top right hand corner of the unit. **Ensure that the switch is in the 120V position. (115 is printed on switch)**
2. Loosen the screw securing the junction box cover and remove the cover.
3. Remove the knockouts (if necessary) or use the provided cable clamp.
4. Pull out the four wires marked L1, L2, N, and G (black, red, white and green).
5. Connect L1 (black) from the unit to the L1 (black) from the main power wall switch using a wire connector (not supplied).
6. Connect the other end of L1 (black) to the L1 terminal of the main power wall switch.
7. Connect L2 (red) from the unit and N (white) from the unit to the Neutral wire (white) of the main power wall switch by using a wire connector (not supplied).
8. Connect the other end of the N (white) to the Neutral wire (white) from the power supply panel by using a wire connector (not supplied).
9. Connect Ground (green) from the unit to the Ground (green) wire of the main power wall switch by using a wire connector (not supplied).
10. Connect L1 (black) wire from the power supply to the L1 terminal of the main power wall switch.
11. Secure the 2 remaining Ground wires (green) with a ground screw in the main switch wall box.
12. Ensure that all connections are tight.
13. Insert all the wiring of the main power wall switch into the main switch wall box.
14. Insert all the wiring back into the unit and secure with a cable clamp.



120V MAIN POWER WALL SWITCH - NO HEAT



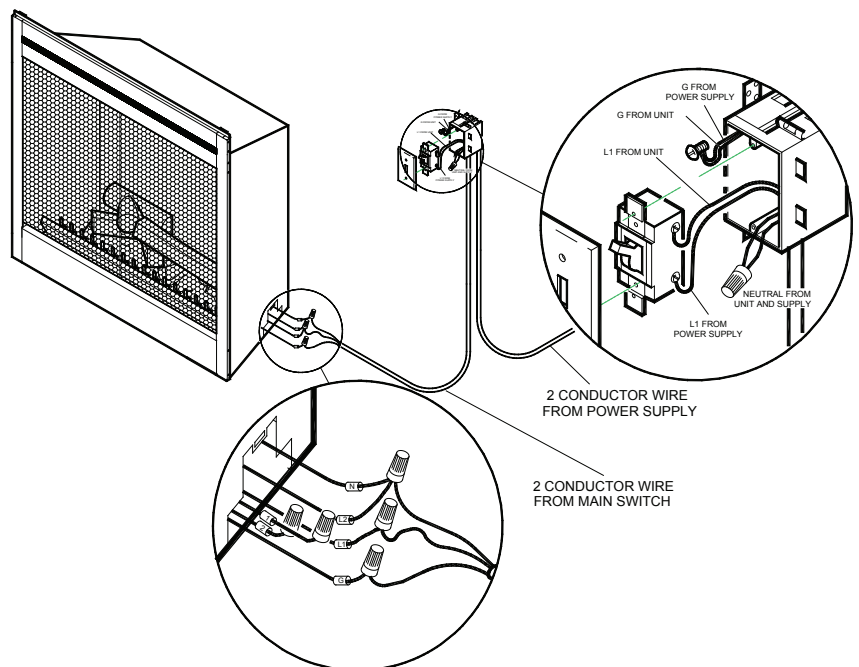
! **NOTE:** This option should not be used with the remote control kit.

! **NOTE:** Before installing the unit have the following wires installed:

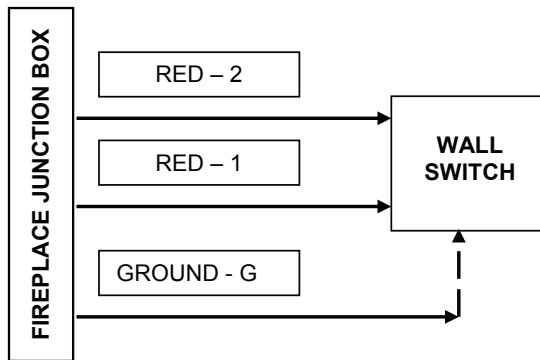
1. A 2 conductor wire with ground (3 wires total) from the power supply panel to the main switch wall box.
2. A 2 conductor wire with ground (3 wires total) from the main switch wall box to the junction box on the unit.

! **NOTE:** Use a single pole, single throw (On/Off) wall switch that is rated for a minimum of 15 amps.

1. Locate the voltage selector switch inside the exhaust panel on the top right hand corner of the unit. **Ensure that the switch is in the 120V position. (115 is printed on switch)**
2. Loosen the screw securing the junction box cover and remove the cover.
3. Remove the knockouts (if necessary) or use the provided cable clamp.
4. Pull out the four wires marked L1, L2, N, and G (black, red, white and green).
5. Connect L1 (black) from the unit to the L1 wire (black) from the main power wall switch using a wire connector (not supplied).
6. Connect the other end of the L1 wire (black) to the L1 terminal of the main power wall switch.
7. Connect L2 (red) from the unit and the N (white) from the unit to the Neutral wire (white) of the main power wall switch by using a wire connector (not supplied).
8. Connect the other end of the Neutral wire (white) to the Neutral wire (white) from the power supply panel by using a wire connector (not supplied).
9. Connect the Ground wire (green) from the unit to the Ground wire (green) of the main power wall switch by using a wire connector (not supplied).
10. Connect L1 (black) from the power supply to the L1 terminal of the main power wall switch.
11. Locate and separate by wire nut the 1 (red) and 2 (red).
12. Secure the 2 remaining Ground wires (green) with a ground screw in the main switch wall box.
13. Ensure that all connections are tight.
14. Insert all the wiring of the main power wall switch into the main switch wall box.
15. Insert all the wiring back into the unit and secure with a cable clamp.



120V/240V HEATER WALL SWITCH CONTROL

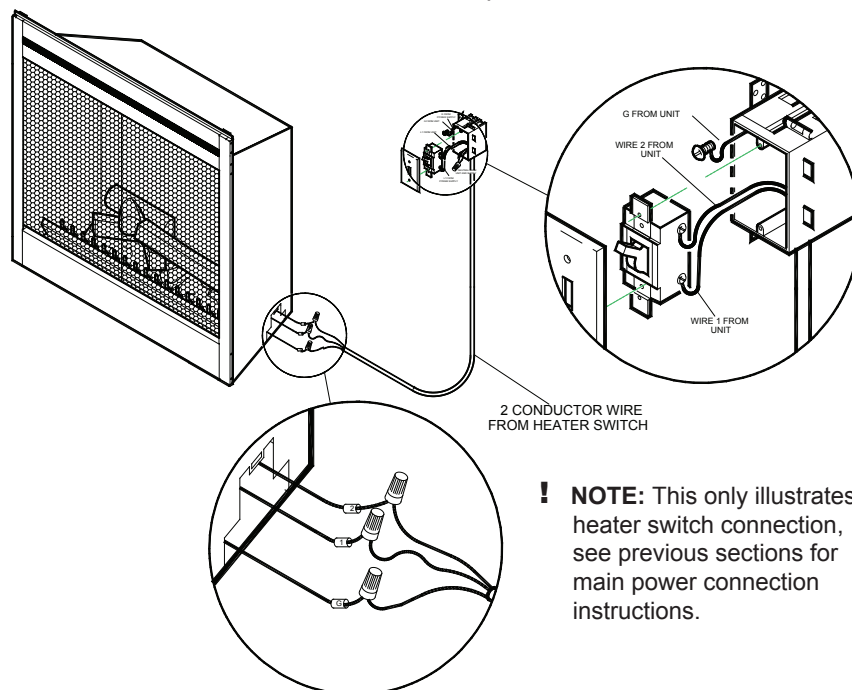


! NOTE: Before installing the unit complete the following:

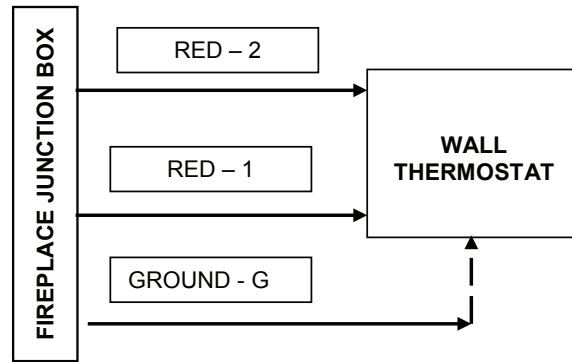
1. Install main power connection with appropriate wiring - directly to the main power or through a wall switch.
2. Install a 2 conductor wire with ground (3 wires total) from the heater switch wall box to the junction box on the unit.

! NOTE: Use a heater wall switch (On/Off) that is rated for a minimum of 15 amps.

1. Loosen the screw securing the junction box cover and remove the cover.
2. Remove the knockouts (if necessary) or use the provided cable clamp.
3. Pull out the three wires marked 1, 2, and G (red, red, and green).
4. Remove the wire connector and separate the wires marked 1 and 2.
5. Connect the 1 wire (red) from the unit to the L1 wire (black) from the heater wall switch by using a wire connector (not supplied).
6. Connect the other end of L1 wire (black) from the heater wall switch to the L1 terminal of the heater wall switch.
7. Connect the 2 wire (red) from the unit to the Neutral wire (white) from the heater wall switch using a wire connector (not supplied).
8. Connect the other end of the Neutral wire (white) from the heater wall switch to the L2 terminal of the heater wall switch.
9. Connect the Ground wire (green) from the unit to the Ground wire (green) from the heater wall switch using a wire connector (not supplied).
10. Secure the remaining Ground wire (green) with a ground screw in the heater switch wall box.
11. Ensure that all connections are tight.
12. Insert all the wiring of the heater wall switch into the heater switch wall box.
13. Insert all the wiring back into the unit and secure with a cable clamp.



120V/240V WALL MOUNTED THERMOSTAT



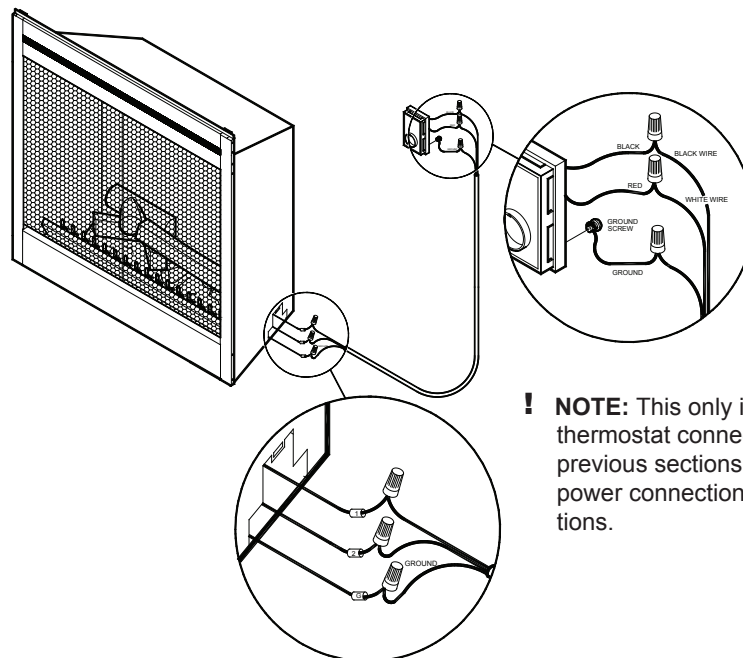
! **NOTE:** Before installing the unit complete the following:

1. Install main power connection with appropriate wiring - directly to the main power or through a wall switch.
2. Install a 2 conductor wire with ground (3 wires total) from the thermostat wall box to the junction box on the unit.

! **NOTE:** Wiring of the thermostat must be completed prior to installing the unit.

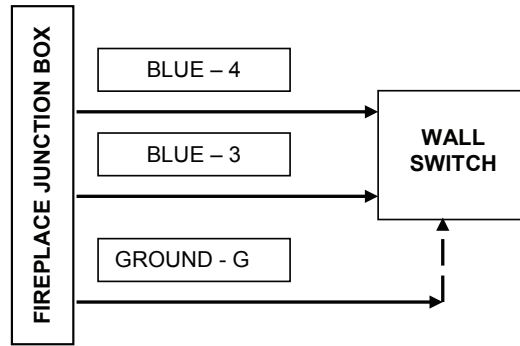
! **NOTE:** The following installation instructions are for a single pole thermostat.

1. Loosen the screw securing the junction box and remove the cover.
2. Remove the knockouts (if necessary) or use the provided cable clamp.
3. Pull out the three wires marked 1, 2, and G (red, red, and green).
4. Remove the wire connector and separate the wires marked 1 & 2.
5. Connect the 1 wire (red) from the unit to the Neutral (white) wire from the wall thermostat box by using a wire connector (not supplied).
6. Connect the other end of the Neutral (white) wire from the thermostat wall box to the red wire from the wall thermostat.
7. Connect the 2 wire (red) from the unit to the black wire from the thermostat wall box by using a wire connector (not supplied).
8. Connect the other end of the black wire from the thermostat wall box to the black wire from the wall thermostat.
9. Connect the Ground wire (green) from the unit to the Ground (green) wire from the thermostat wall box by using a wire connector (not supplied).
10. Connect the other end of the Ground wire (green) to the thermostat wall box ground screw.
11. Ensure that all connections are tight.
12. Insert all the wiring of the wall mounted thermostat into the wall box.
13. Insert all the wiring back into the unit and secure with a cable clamp.



! **NOTE:** This only illustrates thermostat connection, see previous sections for main power connection instructions.

120V/240V WALL MOUNTED FLAME OVERRIDE SWITCH



DO NOT USE WITH NO HEAT INSTALLATIONS

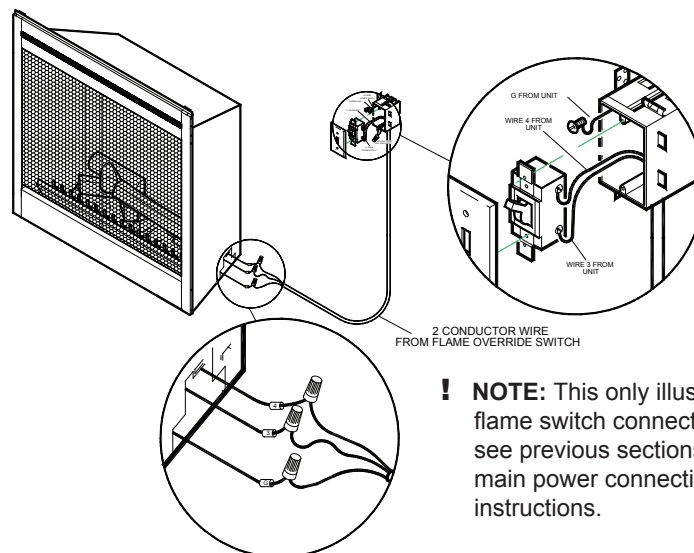
! **NOTE:** The fireplace can be wired to have a wall switch operate the flame independent of the heater.

! **NOTE:** Before installing the unit complete the following:

1. Install main power connection with appropriate wiring - directly to the main power or through a wall switch.
2. Install a 2 conductor wire with ground (3 wires total) from the flame override switch wall box to the junction box on the unit.

! **NOTE:** Use a wall switch (On/Off) that is rated for a minimum of 15 amps.

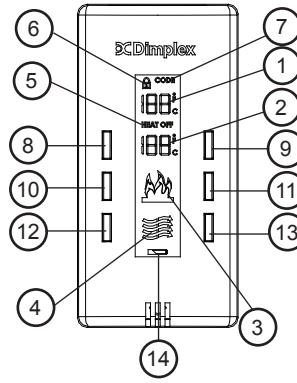
1. Loosen the screw securing the junction box cover and remove the cover.
2. Remove the knockouts (if necessary) or use the provided cable clamp.
3. Pull out the three wires marked 3, 4, and G (blue, blue, and green).
4. Remove the wire connector and separate the wires marked 3 and 4.
5. Connect 3 wire (blue) from the unit to the L1 wire (black) from the flame override wall switch by using a wire connector (not supplied).
6. Connect the other end of the L1 wire (black) from the flame override wall switch to the L1 terminal of the flame override wall switch.
7. Connect 4 wire (blue) from the unit to the Neutral wire (white) from the flame override wall switch using a wire connector (not supplied).
8. Connect the other end of the Neutral wire (white) from the flame override wall switch to the L2 terminal of the flame override wall switch.
9. Connect the Ground wire (green) from the unit to the Ground wire (green) from the flame override wall switch using a wire connector (not supplied).
10. Secure the remaining Ground wire (green) with a ground screw in the flame override switch wall box.
11. Ensure that all connections are tight.
12. Insert all the wiring of the heater wall switch into the heater switch wall box.
13. Insert all the wiring back into the unit and secure with a cable clamp.



! **NOTE:** This only illustrates flame switch connection, see previous sections for main power connection instructions.

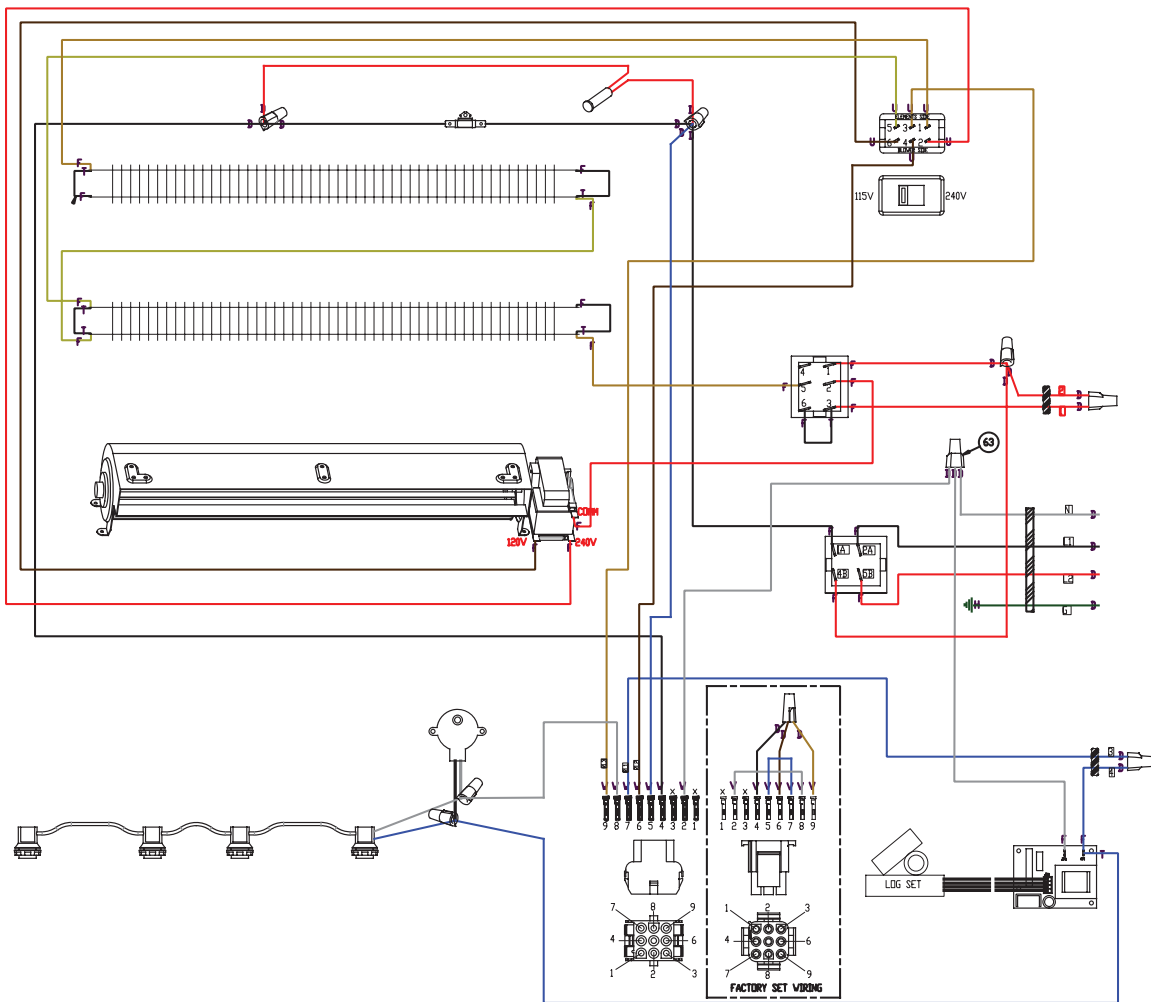
WALL REMOTE - WRCPF-KIT

- Can be used for 120V or 240V installations
- Battery or 24V powered
- 50' (15m) control range
- Built in Thermostat
- Flame On/Off Control
- Heat On/Off Control



1. Room Temperature
2. Set Temperature
3. Flame Effect
4. Fan
5. Heat Off Indicator
6. Function Lock Indicator
7. RF Code Function Indicator
8. Set Temperature Down
9. Set Temperature Up
10. Flame Off
11. Flame On
12. Fan Off
13. Fan On
14. Low Battery Indicator

UNIT INTERNAL WIRING DIAGRAM



! NOTE: Standard models do not have a log driver

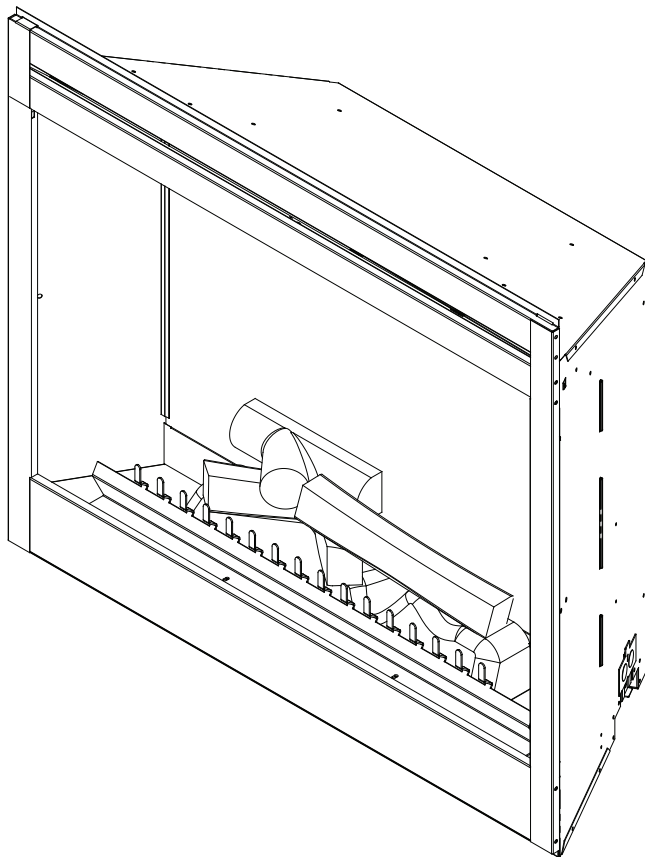


1-888-346-7539 | www.dimplex.com

In keeping with our policy of continuous product improvement, we reserve the right to make changes without notice.

© 2018 Glen Dimplex Americas

GlenDimplex
AMERICAS
 Enhancing the moments that matter in life



GUIDE D'INSTALLATION

Modèle

BF33STP/DXP

BF39STP/DXP

BF45DXP

CONSIGNES DE SÉCURITÉ IMPORTANTES : Toujours lire le présent manuel avant d'essayer d'installer ou d'utiliser ce poêle. Pour votre sécurité, toujours respecter tous les avertissements et suivre les consignes de sécurité compris dans le présent manuel afin de prévenir les blessures ou les dommages matériels.

Pour découvrir la gamme complète de produits Dimplex, visiter www.dimplex.com

7206350500R09



TABLE DES MATIÈRES

Inscription et conformité aux codes	3
Caractéristiques du modèle	3
Installation étape par étape	3
Section A: Informations sur l'installation	4
Cadrage Dimensions	4
Brides de montage	4
Section B: Informations générales électrique	5
Spécifications recommandées pour les fils électriques	5
Emplacement du sélecteur de tension	5
Section C: Câblage d'alimentation direct	6
Installation 240V	6
Installation 120V	6
Installation 120V - sans installation pour la chaleur	7
Section D: Options de contrôle Autres	8
Installations de 240V - Câblage de l'interrupteur mural principal	8
Installations de 120V - Câblage de l'interrupteur mural principal	9
Principal d'alimentation 120V avec interrupteur mural - sans de chaleur	10
Interrupteur mural de contrôle pour le chaleur 120V/240V	11
Câblage du thermostat mural pour 120/240 V	12
Interrupteur mural 120V/240V de contrôle de la flamme	13
Mur Télécommande - WRCP-KIT	14
Circuit de câblage	14

! NOTA : Marches à suivre et techniques considérées suffisamment importantes pour qu'on les souligne.

⚠ MISE EN GARDE : Marches à suivre et techniques dont le non-respect pourrait causer des dommages matériels.

⚠ AVERTISSEMENT : Marches à suivre et techniques qui, si elles ne sont pas bien respectées, exposeront l'utilisateur à des risques d'incendie, de blessure grave ou de décès.

INSCRIPTION ET CONFORMITÉ AUX CODES

Les foyers de série BF ont été testés conformément aux normes UL 2021 et CSA C22.2 n° 46 relatives aux appareils de chauffage électriques fixes et désignés pour un endroit particulier.

CARACTÉRISTIQUES DU MODÈLE

Numéro du modèle	Description	Tension	Puissance nominale (Watts)	Télécommande	Thermostat mural	Garniture en brique réfractaire	Ampérage			
							Sans chaleur 120V	120V	208V	240V
BF45DXP	Deluxe 114cm (45po)	120/120/ 208/240	245/1440/ 2100/2700	Option	Option	Comprise	2.0	12.0	10.10	11.25
BF39DXP	Standard 99cm (39 po)					Comprise	2.0	12.0	10.10	11.25
BF39STP	Deluxe 99cm (39po)					S/O	2.0	12.0	10.10	11.25
BF33DXP	Standard 84cm (33 po)					Comprise	2.0	12.0	10.10	11.25
BF33STP	Deluxe 84cm (33 po)					S/O	2.0	12.0	10.10	11.25

! NOTA: Les puissances nominales indiquées comprennent les ampoules électriques et le moteur (275 W). L'installation du foyer doit être conforme aux codes de l'électricité national et local applicables et aux exigences relatives à l'utilisation de l'appareil. L'installation doit être effectuée par des employés dûment qualifiés, là où la loi l'exige.

INSTALLATION ÉTAPE PAR ÉTAPE

! NOTA: Veuillez lire toutes les instructions avant l'installation

1. Égaliser l'ouverture du cadrage selon les dimensions recommandées dans Section A : Cadrage.
2. Allouer 20 cm (8 po) de câble permettant le branchement des fils électriques à la boîte de raccordement du foyer si le mur n'est pas terminé au moment de l'installation. Prévoir jusqu'à 122 cm (4 pi) de câble permettant le branchement des fils électriques à la boîte de raccordement du foyer si le mur est terminé au moment de l'installation. Retirer la gaine extérieure et dénuder les fils à 12 mm (½ po) de l'extrémité.
3. Dévisser la vis qui tient en place le couvercle de la boîte de raccordement et enlever le couvercle.
4. Retirer les rondelles défonçables au besoin ou utiliser le serre-câble fourni.
5. Placer le foyer dans l'ouverture, poser des cales au besoin et fixer le foyer au cadrage en utilisant les brides de clouage fournies (Figure 2).
6. Le foyer est réglé en fonction d'une alimentation électrique de 208/240 V. Pour un fonctionnement à 120 V, régler l'interrupteur à la position appropriée et reconfigurer le câblage (Section C). Les fils L1, L2, N et G sont reliés au dos du serre-câble de la boîte de raccordement pour en faciliter l'accès.

! NOTA: Il est possible qu'un circuit spécifique ne soit pas nécessaire si vous câblez l'appareil pour qu'il fonctionne **SANS** chaleur.

7. Relier le fil à un circuit adéquatement muni d'un fusible de 15 ampères selon la tension appropriée (120, 208/240). Voir la Section C pour obtenir des renseignements sur le câblage réglé en usine.
8. Faire les connexions de l'interrupteur mural ou du thermostat mural tel qu'il est décrit à la Section D.
9. Mettre en place tous les connecteurs à l'intérieur du foyer et replacer le couvercle de la boîte de raccordement. S'assurer que le serre-câble ne retienne que la gaine du fil d'entrée, du fil du thermostat et du câble de l'interrupteur mural, le cas échéant.

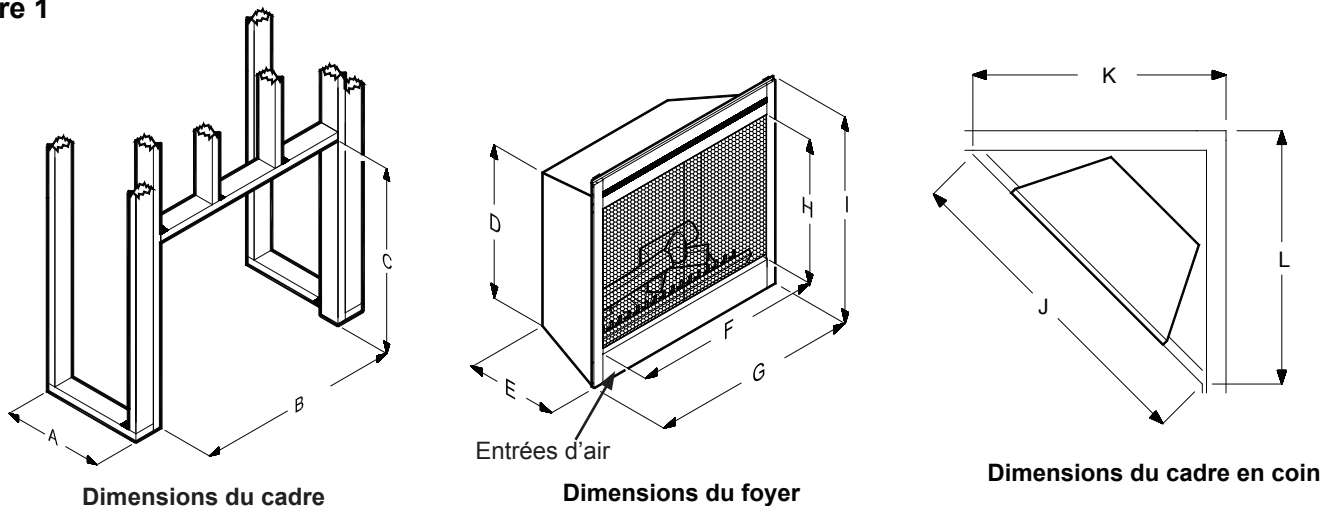
⚠ AVERTISSEMENT: Veiller à ce que les opérations d'installation n'obstruent PAS les entrées d'air au bas de l'appareil. (Voir le diagramme dans la Section A.)

SECTION A: INFORMATIONS SUR L'INSTALLATION

CADRAGE DIMENSIONS

Modèle	A	B -0 / +0,1	C -0 / +0,1	D	E	F	G	H	I	J	K	L
BF45DXP	16,0 po (40,5cm)	45 po (114,3cm)	32,9 po (83,6cm)	30,1 po (76,5cm)	15,3 po (38,9cm)	42,0 po (106,7cm)	44,7 po (113,5cm)	22,8 po (57,9cm)	32,7 po (83,1cm)	60,0 po (152,4cm)	42,0 po (106,7cm)	42,0 po (106,7cm)
BF39STP/DXP	16,0 po (40,5cm)	39 po (99,1cm)	32,9 po (83,6cm)	30,1 po (76,5cm)	15,3 po (38,9cm)	36,0 po (91,4cm)	38,7 po (98,3cm)	22,8 po (57,9cm)	32,7 po (83,1cm)	54,0 po (137,2cm)	38,0 po (96,5cm)	38,0 po (96,5cm)
BF33STP/DXP	15,0 po (38,1cm)	33,1 po (84,1cm)	28,7 po (72,9cm)	25,7 po (65,3cm)	14,3 po (36,3cm)	29,6 po (75,2cm)	32,8 po (83,3cm)	18,8 po (47,8cm)	28,5 po (72,4cm)	48,0 po (121,9cm)	34,0 po (86,4cm)	34,0 po (86,4cm)

Figure 1



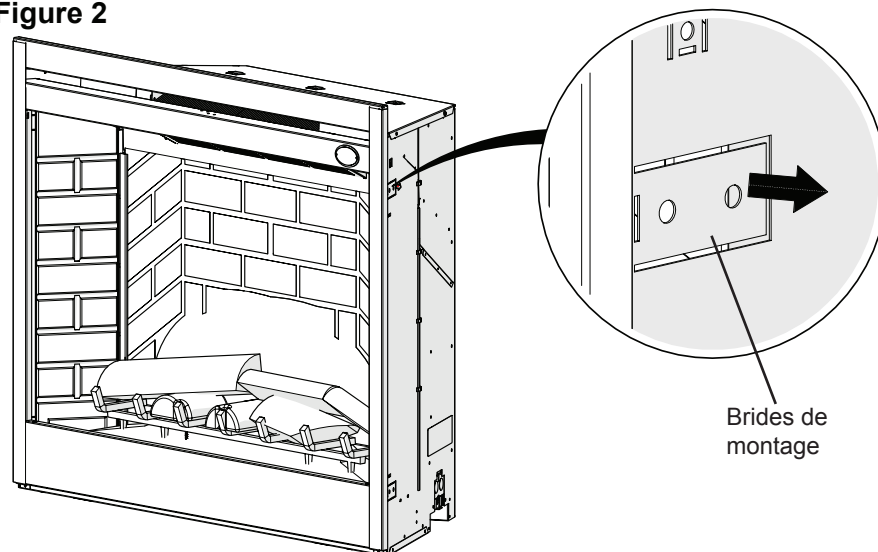
Ce foyer est un modèle à dégagement nul, à l'exception de la partie supérieure de l'unité, où un pare-vapeur et un isolant doivent être installés à au moins 2 pouces (5,1 cm) du foyer. Aucun combustible ne doit être placé sur le dessus du foyer.

⚠ MISE EN GARDE : Assurer l'installation ne permet pas de foyer pour être en contact direct avec pare-vapeur de construction ou d'isolation et se réunit tous les codes du bâtiment local.

Quatre brides sur les côtés du foyer sont fournies pour faciliter l'installation.

BRIDES DE MONTAGE

Figure 2



Il y a deux brides de montage de chaque côté du foyer.

Plier les languettes et les fixer au cadrage en utilisant le matériel nécessaire.

SECTION B: INFORMATIONS GÉNÉRALES ÉLECTRIQUE

SPÉCIFICATIONS RECOMMANDÉES POUR LES FILS ÉLECTRIQUES

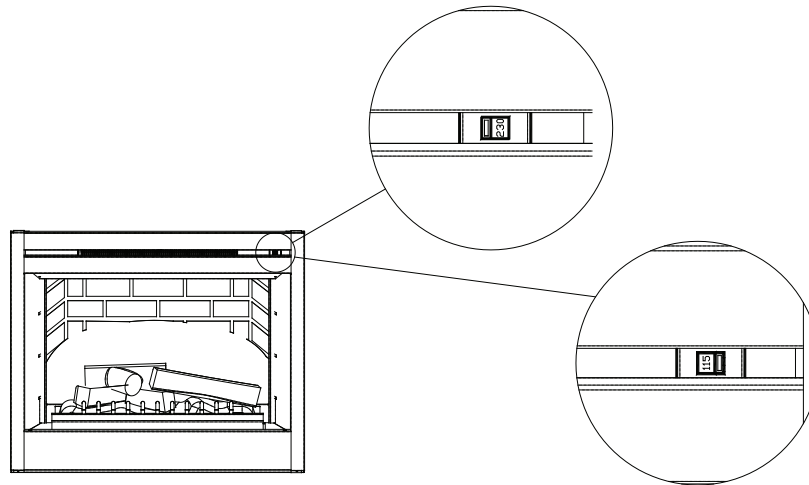
Pour les installations de 120 V, un câble doté d'une gaine non métallique à 2 conducteurs avec fil de mise à la terre (3 fils en tout) est nécessaire pour alimenter le foyer interne en électricité. Utiliser le câblage approprié conformément aux codes de l'électricité national et local en ce qui a trait à la consommation d'électricité.

Pour les installations de 208/240 V, un câble doté d'une gaine non métallique à 3 conducteurs avec fil de mise à la terre (4 fils en tout) est nécessaire pour alimenter le foyer interne en électricité. Utiliser le câblage approprié conformément aux codes de l'électricité national et local en ce qui a trait à la consommation d'électricité.

Un câble doté d'une gaine non métallique à 2 conducteurs avec fil de mise à la terre (3 fils en tout) est recommandé pour l'installation d'un thermostat ou d'un interrupteur mural pour l'utilisation d'un foyer interne. Utiliser le câblage approprié conformément aux codes de l'électricité national et local en ce qui a trait à la consommation d'électricité. Le calibre de tous les fils doit correspondre aux recommandations ci-dessous.

TENSION	CALIBRE DU FIL	FUSIBLE
120 Volts	14 Gauge	15 Amp
208 Volts	14 Gauge	15 Amp
240 Volts	14 Gauge	15 Amp

EMPLACEMENT DU SÉLECTEUR DE TENSION



! IMPORTANT: S'assurer que la tension de l'alimentation en électricité correspond au réglage du sélecteur de tension.

! NOTA: Le sélecteur de tension est situé à l'intérieur du panneau de ventilation, dans le coin supérieur droit.

⚠ MISE EN GARDE: S'assurer que l'alimentation est fermée quand le sélecteur de tension passe de 240 V à 120 V.

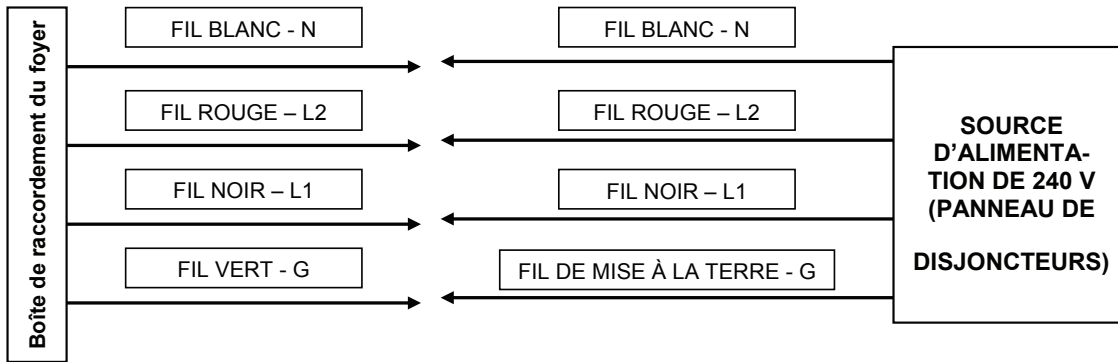
! NOTA: Pour faire passer le sélecteur de 240 V (position 230) à 120 V (position 115), introduire avec précaution un tournevis à tête plate dans le panneau de ventilation.

Le sélecteur de tension doit être en position 230 V au moment de brancher le foyer à un circuit de 208/240 V.

Le sélecteur de tension doit être en position 115 V au moment de brancher le foyer à un circuit de 120 V.

SECTION C: CÂBLAGE D'ALIMENTATION DIRECT

INSTALLATION 240V



! **IMPORTANT** : Par défaut, le foyer est configuré en fonction d'une tension de 208/240 V.

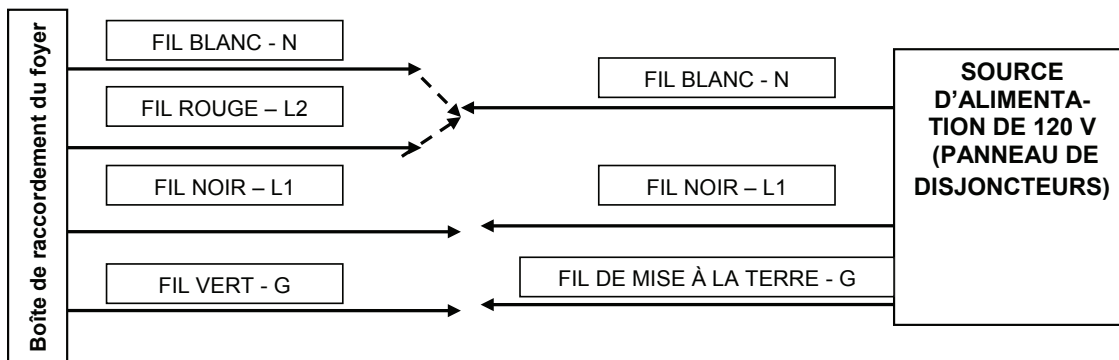
! **NOTA**: Utiliser un fil à 3 conducteurs avec fil de mise à la terre (4 fils en tout) pour brancher la source d'alimentation (panneau de disjoncteurs) à la boîte de raccordement du foyer.

! **NOTA**: Le câblage doit être en place avant l'installation du foyer.

! **NOTA**: Veiller à ce que le sélecteur de tension soit réglé à la position appropriée à la tension requise avant de raccorder le foyer à la source d'alimentation.

1. Repérer le sélecteur de tension dans le panneau de ventilation, dans le coin supérieur droit du foyer. **S'assurer que le sélecteur est en position 240 V (il est écrit 230 sur le sélecteur).**
2. Dévisser la vis qui tient en place le couvercle de la boîte de raccordement et enlever le couvercle.
3. Retirer les rondelles défonçables (au besoin) ou utiliser le serre-câble fourni.
4. Dégager les 4 fils marqués L1, L2, N et G.
5. Raccorder le fil L1 (noir) du foyer au fil L1 (noir) de la source d'alimentation.
6. Raccorder le fil L2 (rouge) du foyer au fil L2 (rouge) de la source d'alimentation.
7. Raccorder le fil N (blanc) du foyer au fil neutre (blanc) de la source d'alimentation.
8. Raccorder le fil de mise à la terre (vert) du foyer au fil de mise à la terre de la source d'alimentation.
9. S'assurer que les connexions sont bien serrées.
10. Réinsérer le câblage dans le foyer et le fixer à l'aide d'un serre-câble.

INSTALLATION 120V



! **IMPORTANT**: Par défaut, le foyer est configuré en fonction d'une tension de 208/240 V.

! **NOTA**: Utiliser un fil à 2 conducteurs avec fil de mise à la terre (3 fils en tout) pour brancher la source d'alimentation (panneau de disjoncteurs) à la boîte de raccordement du foyer.

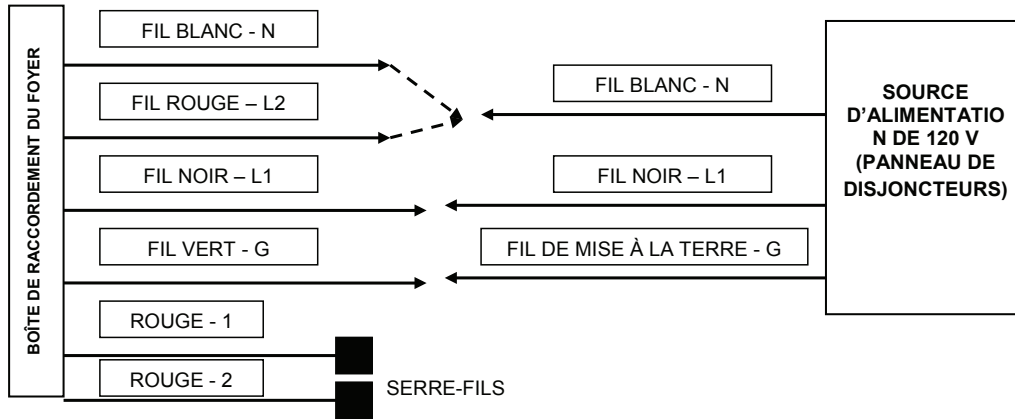
! **NOTA**: Le câblage doit être en place avant d'installer le foyer.

! **NOTA**: Veiller à ce que l'interrupteur du sélecteur de tension soit réglé à la position appropriée à la tension requise avant de raccorder le foyer à la source d'alimentation.

1. Repérer le sélecteur de tension dans le panneau de ventilation, dans le coin supérieur droit du foyer. **Faire passer le sélecteur de 240 V à 120 V (il est écrit 230 et 115 sur le sélecteur).**
2. Dévisser la vis qui tient en place le couvercle de la boîte de raccordement et enlever le couvercle.

3. Retirer les rondelles défonçables (au besoin) ou utiliser le serre-câble fourni.
4. Dégager les 4 fils marqués L1, L2, N et G.
5. Raccorder le fil L1 (noir) du foyer au fil L1 (noir) de la source d'alimentation.
6. Raccorder le fil L2 (rouge) et le fil N (blanc) au fil neutre (blanc) de la source d'alimentation.
7. Raccorder le fil de mise à la terre (vert) du foyer au fil de mise à la terre de la source d'alimentation.
8. Lorsque le foyer est configuré en fonction de la tension appropriée, s'assurer que les connexions sont bien serrées.
9. Réinsérer le câblage dans le foyer et le fixer à l'aide d'un serre-câble.

INSTALLATION 120V - SANS INSTALLATION POUR LA CHALEUR



! **IMPORTANT:** Par défaut, le foyer est configuré en fonction d'une tension de 208/240 V.

! **NOTA:** Utiliser un fil à 2 conducteurs avec fil de mise à la terre (3 fils en tout) pour brancher la source d'alimentation (panneau de disjoncteurs) à la boîte de raccordement du foyer.

! **NOTA:** Le câblage doit être en place avant l'installation du foyer.

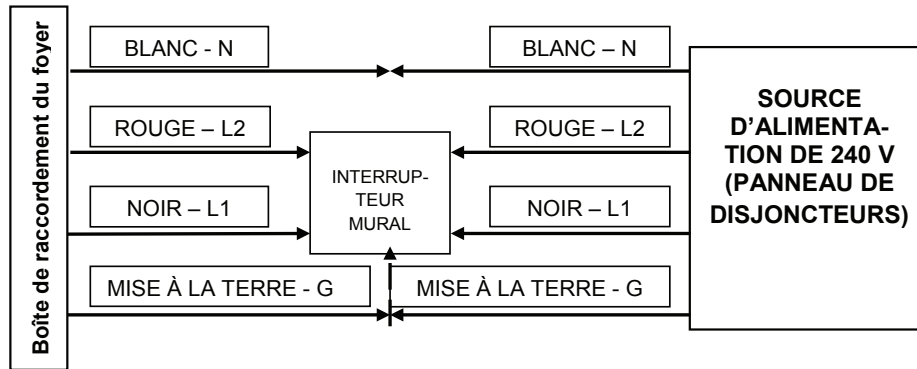
! **NOTA:** Veiller à ce que le sélecteur de tension soit réglé à la position appropriée à la tension requise avant de raccorder le foyer à la source d'alimentation.

! **NOTA:** Le système ventilateur fonctionnera sans chaleur avec cette application.

1. Repérer le sélecteur de tension dans le panneau de ventilation, dans le coin supérieur droit du foyer. **Faire passer le sélecteur de 240 V à 120 V (il est écrit 230 et 115 sur le sélecteur).**
2. Dévisser la vis qui tient en place le couvercle de la boîte de raccordement et enlever le couvercle.
3. Retirer les rondelles défonçables (au besoin) ou utiliser le serre-câble fourni.
4. Dégager les 4 fils marqués L1, L2, N et G.
5. Raccorder le fil L1 (noir) du foyer au fil L1 (noir) de la source d'alimentation.
6. Raccorder le fil L2 (rouge) et le fil N (blanc) du foyer au fil blanc neutre de la source d'alimentation.
7. Raccorder le fil de mise à la terre (vert) du foyer au fil de mise à la terre de la source d'alimentation.
8. Repérer et séparer le fil 1 (rouge) et le fil 2 (rouge) avec le serre-fil.
9. Une fois que le foyer est configuré en fonction de la tension appropriée, s'assurer que les connexions sont bien serrées.
10. Réinsérer le câblage dans le foyer et le fixer à l'aide d'un serre-câble.

SECTION D: OPTIONS DE CONTRÔLE AUTRES

INSTALLATIONS DE 240V - CÂBLAGE DE L'INTERRUPTEUR MURAL PRINCIPAL



! **NOTA:** Cette option **ne doit pas** être utilisée avec l'ensemble de télécommande.

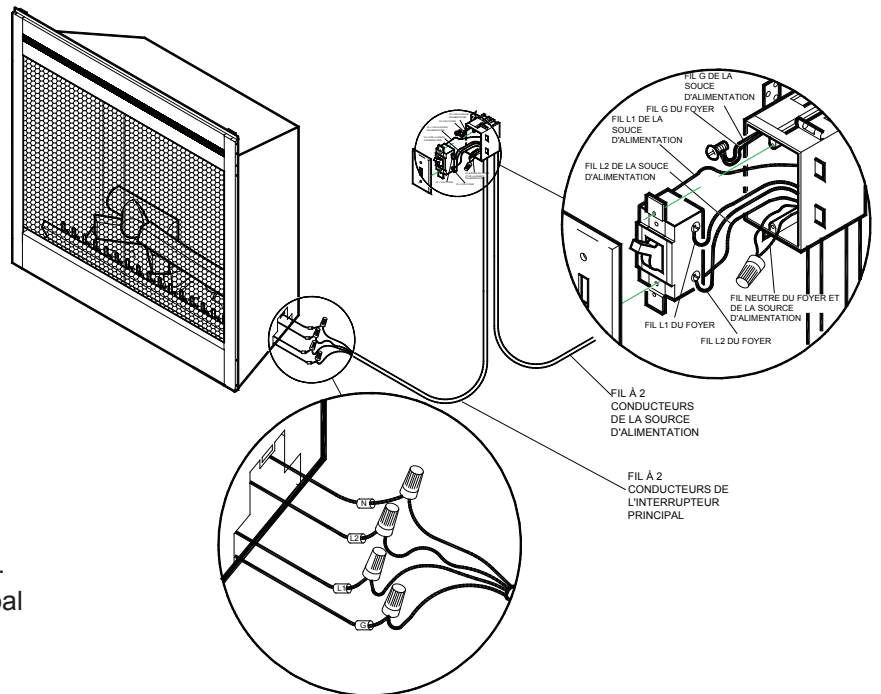
! **NOTA:** Les câbles suivants doivent être en place avant l'installation du foyer :

1. Un câble à 3 conducteurs avec fil de mise à la terre (4 fils en tout) pour raccorder la source d'alimentation au boîtier mural de l'interrupteur principal.

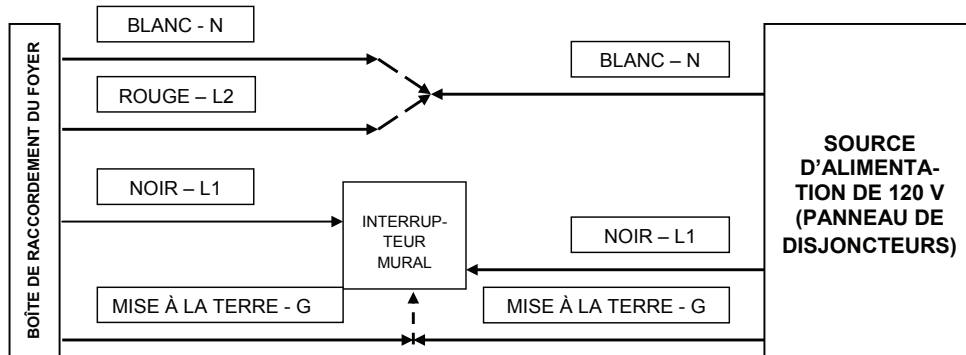
2. Un câble à 3 conducteurs avec fil de mise à la terre (4 fils en tout) pour raccorder le boîtier mural de l'interrupteur principal à la boîte de raccordement du foyer.

! **NOTA:** Utiliser un interrupteur mural bipolaire à commande unique (on/off) calibré à au moins 15 ampères.

1. Repérer l'interrupteur du sélecteur de tension dans le panneau de ventilation, dans le coin supérieur droit du foyer. **S'assurer que le sélecteur est à 240 V (il est écrit 230 sur le sélecteur).**
2. Dévisser la vis qui tient en place le couvercle de la boîte de raccordement et enlever le couvercle.
3. Retirer les rondelles défonçables (au besoin) ou utiliser le serre-câble fourni.
4. Dégager les 4 fils marqués L1, L2, N et G (noir, rouge, blanc et vert).
5. Raccorder le fil L1 (noir) du foyer au fil L1 (noir) de l'interrupteur mural principal en utilisant un capuchon de connexion (non fourni).
6. Raccorder l'autre extrémité du fil L1 (noir) de l'interrupteur mural principal à la borne L1 de l'interrupteur mural principal.
7. Raccorder le fil L2 (rouge) du foyer au fil L2 (rouge) de l'interrupteur mural principal en utilisant un capuchon de connexion (non fourni).
8. Raccorder l'autre extrémité du fil L2 (rouge) de l'interrupteur mural principal à la borne L2 de l'interrupteur principal.
9. Raccorder le fil blanc neutre du foyer au fil N (blanc) de l'interrupteur mural principal en utilisant un capuchon de connexion (non fourni).
10. Raccorder le fil de mise à la terre (vert) du foyer au fil de mise à la terre (vert) de l'interrupteur mural principal en utilisant un capuchon de connexion (non fourni).
11. Raccorder le fil L1 (rouge ou noir) de la source d'alimentation à la borne L1 de l'interrupteur mural principal.
12. Raccorder le fil L2 (noir) de la source d'alimentation à la borne L2 de l'interrupteur mural principal.
13. Raccorder le fil N (blanc) de la source d'alimentation au fil N (blanc) restant du foyer en utilisant un capuchon de connexion.
14. Fixer les 2 fils de mise à la terre (vert) restants dans le boîtier mural de l'interrupteur principal à l'aide d'une vis de mise à la terre.
15. S'assurer que les connexions sont bien serrées.
16. Insérer le câblage de l'interrupteur mural principal dans le boîtier mural de l'interrupteur principal.
17. Réinsérer le câblage dans le foyer et le fixer à l'aide d'un serre-câble.



INSTALLATIONS DE 120V - CÂBLAGE DE L'INTERRUPTEUR MURAL PRINCIPAL



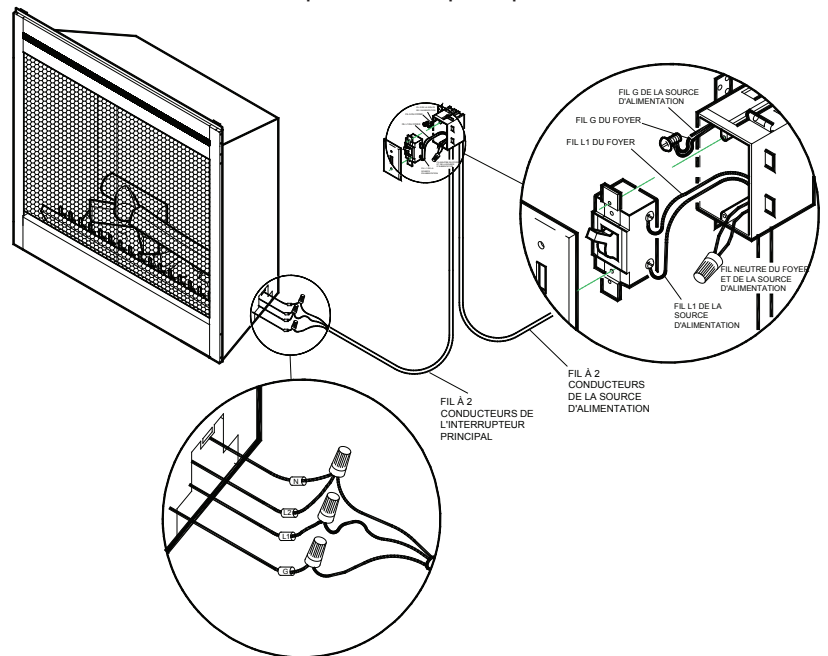
! **NOTA:** Cette option **ne doit pas** être utilisée avec l'ensemble de télécommande.

! **NOTE:** Les câbles suivants doivent être en place avant l'installation du foyer :

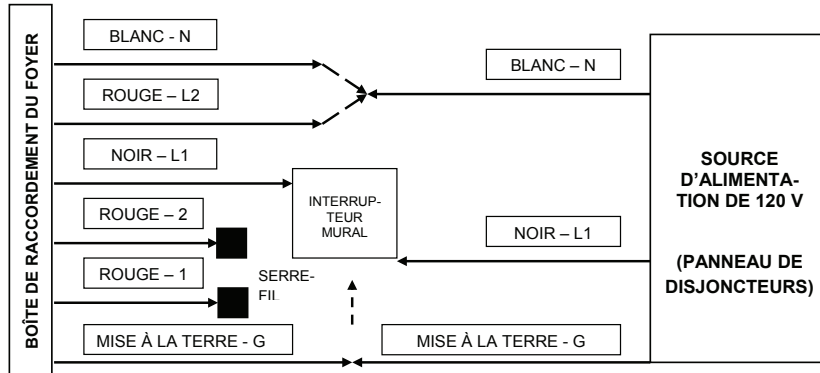
1. Un câble à 2 conducteurs avec fil de mise à la terre (3 fils en tout) pour raccorder la source d'alimentation au boîtier mural de l'interrupteur principal.
2. Un câble à 2 conducteurs avec fil de mise à la terre (3 fils en tout) pour raccorder le boîtier mural de l'interrupteur principal à la boîte de raccordement du foyer.

! **NOTA:** Utiliser un interrupteur mural unipolaire à commande unique (on/off) calibré à au moins 15 ampères.

1. Repérer le sélecteur de tension dans le panneau de ventilation, dans le coin supérieur droit du foyer. **S'assurer que le sélecteur est à 120 V (il est écrit 115 sur le sélecteur).**
2. Dévisser la vis qui tient en place le couvercle de la boîte de raccordement et enlever le couvercle.
3. Retirer les rondelles défonçables (au besoin) ou utiliser le serre-câble fourni.
4. Dégager les 4 fils marqués L1, L2, N et G (noir, rouge, blanc et vert).
5. Raccorder le fil L1 (noir) du foyer au fil L1 (noir) de l'interrupteur mural principal en utilisant un capuchon de connexion (non fourni).
6. Raccorder l'autre extrémité du fil L1 (noir) de l'interrupteur mural principal à la borne L1 de l'interrupteur mural principal.
7. Raccorder le fil L2 (rouge) et le fil N (blanc) du foyer au fil N (blanc) de l'interrupteur mural principal en utilisant un capuchon de connexion (non fourni).
8. Raccorder l'autre extrémité du fil N (blanc) au fil N (blanc) de la source d'alimentation en utilisant un capuchon de connexion (non fourni).
9. Raccorder le fil de mise à la terre (vert) du foyer au fil de mise à la terre (vert) de l'interrupteur mural principal en utilisant un capuchon de connexion (non fourni).
10. Raccorder le fil L1 (noir) de la source d'alimentation à la borne L1 de l'interrupteur mural principal.
11. Fixer les 2 fils de mise à la terre (vert) restants dans le boîtier mural de l'interrupteur principal à l'aide d'une vis de mise à la terre.
12. S'assurer que les connexions sont bien serrées.
13. Insérer le câblage de l'interrupteur mural principal dans le boîtier mural de l'interrupteur principal.
14. Réinsérer le câblage dans le foyer et le fixer à l'aide d'un serre-câble.



PRINCIPAL D'ALIMENTATION 120V AVEC INTERUPTEUR MURAL - SANS DE CHALEUR



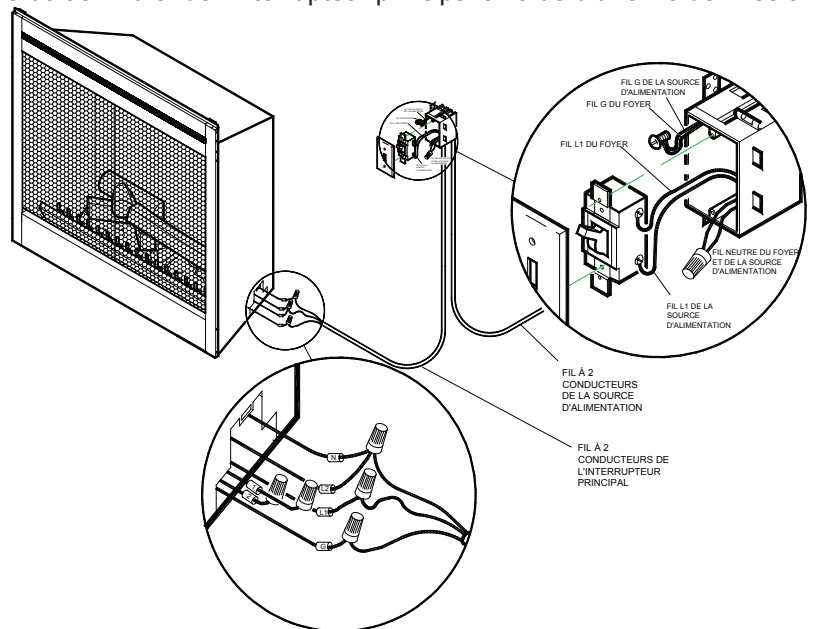
! **NOTA:** Cette option **ne doit pas** être utilisée avec l'ensemble de télécommande.

! **NOTA:** Les câbles suivants doivent être en place avant d'installer le foyer :

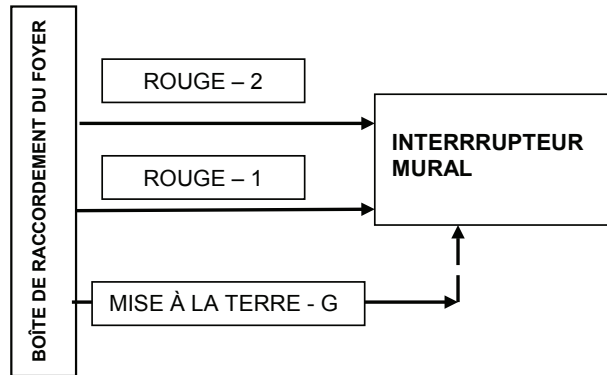
1. Un câble à 2 conducteurs avec fil de mise à la terre (3 fils en tout) pour raccorder la source d'alimentation au boîtier mural de l'interrupteur principal.
2. Un câble à 2 conducteurs avec fil de mise à la terre (3 fils en tout) pour raccorder le boîtier mural de l'interrupteur principal à la boîte de raccordement du foyer.

! **NOTA:** Utiliser un interrupteur mural unipolaire à commande unique (on/off) calibré à au moins 15 ampères.

1. Repérer le sélecteur de tension dans le panneau de ventilation, situé dans le coin supérieur droit du foyer. **S'assurer que le sélecteur est à 120 V (il est écrit 115 sur le sélecteur).**
2. Dévisser la vis qui tient en place le couvercle de la boîte de raccordement et enlever le couvercle.
3. Retirer les rondelles défonçables (au besoin) ou utiliser le serre-câble fourni.
4. Dégager les 4 fils marqués L1, L2, N et G (noir, rouge, blanc et vert).
5. Raccorder le fil L1 (noir) du foyer au fil L1 (noir) de l'interrupteur mural principal en utilisant un capuchon de connexion (non fourni).
6. Raccorder l'autre extrémité du fil L1 (noir) de l'interrupteur mural principal à la borne L1 de l'interrupteur mural principal.
7. Installer un serre-fils sur le fil L2 (rouge) (serre-fils non fourni).
8. Raccorder le fil N (blanc) du foyer au fil N (blanc) de l'interrupteur mural principal en utilisant un capuchon de connexion (non fourni).
9. Raccorder le fil de mise à la terre (vert) du foyer au fil de mise à la terre (vert) de l'interrupteur mural principal en utilisant un capuchon de connexion (non fourni).
10. Raccorder le fil L1 (noir) de la source d'alimentation à la borne L1 de l'interrupteur mural principal.
11. Repérer et séparer le fil 1 (rouge) et le fil 2 (rouge) avec le serre-fil
12. Fixer les 2 fils de mise à la terre (vert) restants dans le boîtier mural de l'interrupteur principal à l'aide d'une vis de mise à la terre.
13. S'assurer que les connexions sont bien serrées.
14. Insérer le câblage de l'interrupteur mural principal dans le boîtier mural de l'interrupteur principal.
15. Réinsérer le câblage dans le foyer et le fixer à l'aide d'un serre-câble.



INTERUPTEUR MURAL DE CONTRÔLE POUR LE CHALEUR 120V/240V

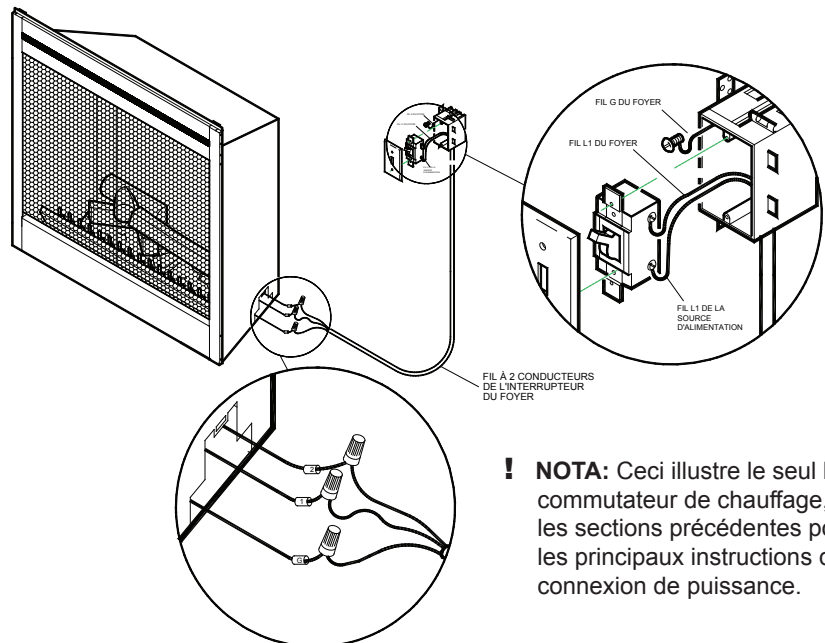


! **NOTA:** Faire ce qui suit avant d'installer le foyer :

1. Brancher l'alimentation principale avec câblage approprié - directement à l'alimentation principale ou par l'intermédiaire d'un interrupteur mural.
2. Brancher un câble à 2 conducteurs avec fil de mise à la terre (3 fils en tout) qui relie le boîtier mural de l'interrupteur du foyer à la boîte de raccordement du foyer.

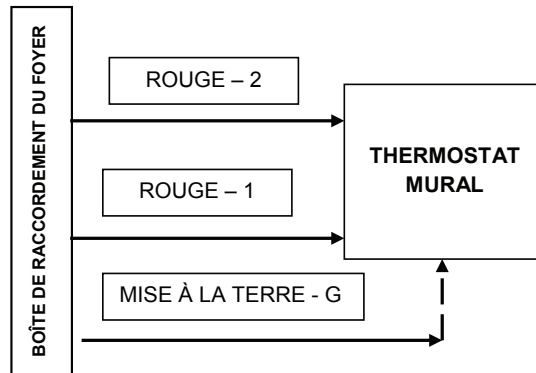
! **NOTA:** Utiliser un interrupteur mural (on/off) pour le foyer calibré à 15 ampères.

1. Dévisser la vis qui tient en place le couvercle de la boîte de raccordement et enlever le couvercle.
2. Retirer les rondelles défonçables (au besoin) ou utiliser le serre-câble fourni.
3. Dégager les 3 fils marqués 1, 2 et G (rouge, rouge et vert).
4. Retirer le capuchon de connexion et séparer les fils marqués 1 et 2.
5. Raccorder le fil 1 (rouge) du foyer au fil L1 (noir) de l'interrupteur mural du foyer en utilisant un capuchon de connexion (non fourni).
6. Raccorder l'autre extrémité du fil L1 (noir) de l'interrupteur mural du foyer à la borne L1 de l'interrupteur mural du foyer.
7. Raccorder le fil 2 (rouge) du foyer au fil N (blanc) de l'interrupteur mural du foyer en utilisant un capuchon de connexion (non fourni).
8. Raccorder l'autre extrémité du fil N (blanc) de l'interrupteur mural du foyer à la borne L2 de l'interrupteur mural du foyer.
9. Raccorder le fil de mise à la terre (vert) du foyer au fil de mise à la terre (vert) de l'interrupteur mural du foyer en utilisant un capuchon de connexion (non fourni).
10. Fixer le fil de mise à la terre (vert) restant dans le boîtier mural de l'interrupteur du foyer à l'aide d'une vis de mise à la terre.
11. S'assurer que toutes les connexions sont bien serrées.
12. Insérer le câblage de l'interrupteur mural du foyer dans le boîtier mural de l'interrupteur.
13. Réinsérer le câblage dans le foyer et le fixer à l'aide d'un serre-câble.



! **NOTA:** Ceci illustre le seul lien commutateur de chauffage, voir les sections précédentes pour les principaux instructions de connexion de puissance.

CÂBLAGE DU THERMOSTAT MURAL POUR 120/240 V



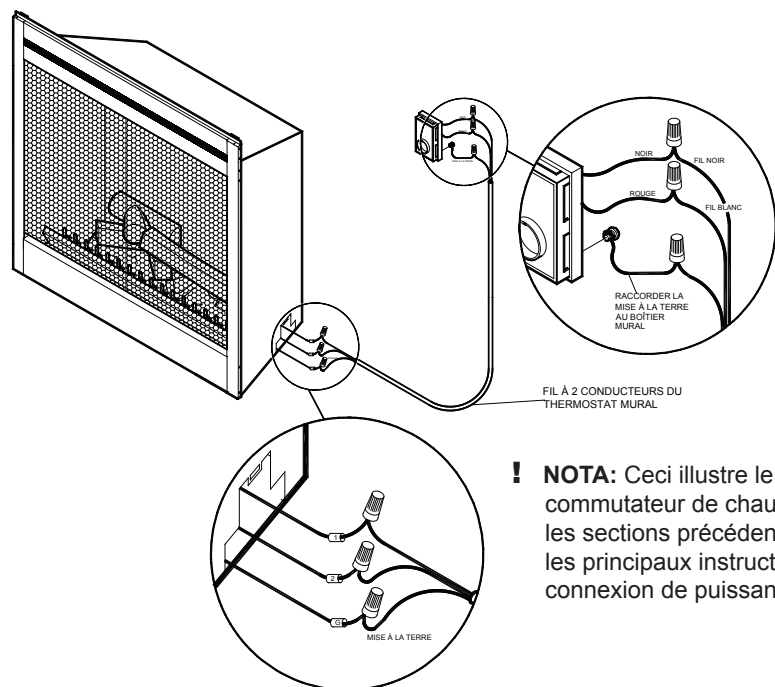
! NOTA: Faire ce qui suit avant d'installer le foyer :

1. Brancher l'alimentation principale avec câblage approprié - directement à l'alimentation principale ou par l'intermédiaire d'un interrupteur mural.
2. Brancher un câble à 2 conducteurs avec fil de mise à la terre (3 fils en tout) qui relie le boîtier mural de l'interrupteur du foyer à la boîte de raccordement du foyer.

! NOTA: Le câblage doit être en place avant l'installation du foyer.

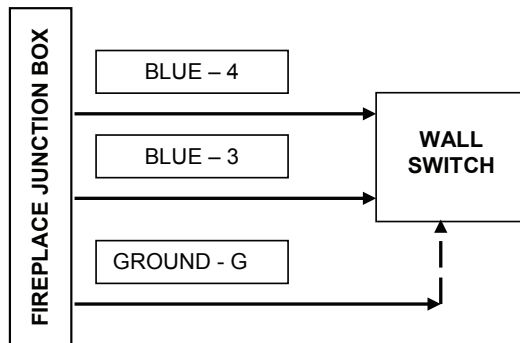
! NOTE: Les directives d'installation suivantes s'appliquent à un thermostat unipolaire.

1. Dévisser la vis qui tient en place le couvercle de la boîte de raccordement et enlever le couvercle.
2. Retirer les rondelles défonçables (au besoin) ou utiliser le serre-câble fourni.
3. Dégager les 3 fils marqués 1, 2 et G (rouge, rouge et vert).
4. Retirer le capuchon de connexion et séparer les fils marqués 1 et 2.
5. Raccorder le fil 1 (rouge) du foyer au fil N (blanc) du boîtier mural du thermostat en utilisant un capuchon de connexion (non fourni).
6. Raccorder l'autre extrémité du fil N (blanc) du boîtier mural du thermostat au fil rouge du thermostat mural.
7. Raccorder le fil 2 (rouge) du foyer au fil noir du boîtier mural du thermostat en utilisant un capuchon de connexion (non fourni).
8. Raccorder l'autre extrémité du fil noir du boîtier mural du thermostat au fil noir du thermostat mural.
9. Raccorder le fil de mise à la terre (vert) du foyer au fil de mise à la terre (vert) du boîtier mural du thermostat en utilisant un capuchon de connexion (non fourni).
10. Raccorder l'autre extrémité du fil de mise à la terre (vert) dans le boîtier mural de l'interrupteur du foyer à l'aide d'une vis de mise à la terre.
11. S'assurer que toutes les connexions sont bien serrées.
12. Insérer le câblage du thermostat mural dans le boîtier mural.
13. Réinsérer le câblage dans le foyer et le fixer à l'aide d'un serre-câble.



! NOTA: Ceci illustre le seul lien commutateur de chauffage, voir les sections précédentes pour les principaux instructions de connexion de puissance.

INTERRUPTEUR MURAL 120V/240V DE CONTRÔLE DE LA FLAMME



NON OFFERT AVEC L'INSTALLATION SANS CHALEUR

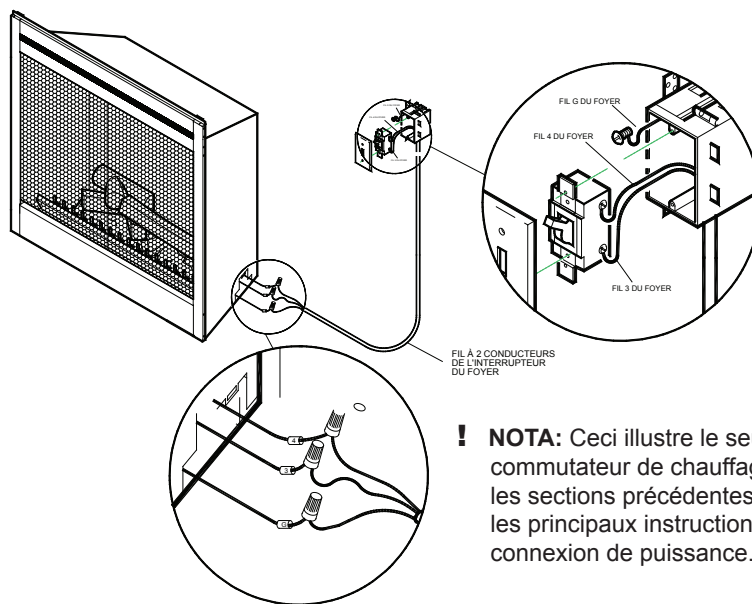
! **NOTA:** Le câblage du foyer peut permettre à l'interrupteur de commander seulement les éléments chauffants.

! **NOTA:** Faire ce qui suit avant d'installer le foyer :

1. Brancher l'alimentation principale avec câblage approprié - directement à l'alimentation principale ou par l'intermédiaire d'un interrupteur mural.
2. Brancher un câble à 2 conducteurs avec fil de mise à la terre (3 fils en tout) qui relie le boîtier mural de l'interrupteur prioritaire à la boîte de raccordement du foyer.

! **NOTA:** Utiliser un interrupteur mural (on/off) calibré à au moins 15 ampères.

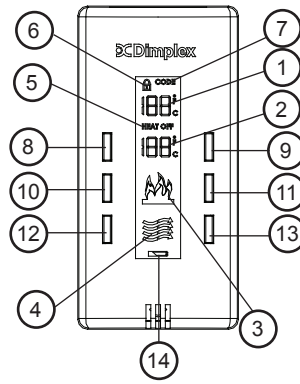
1. Dévisser la vis qui tient en place le couvercle de la boîte de raccordement et enlever le couvercle.
2. Retirer les rondelles défonçables (au besoin) ou utiliser le serre-câble fourni.
3. Dégager les 3 fils marqués 3, 4 et G (bleu, bleu et vert).
4. Retirer le capuchon de connexion et séparer les fils marqués 3 et 4.
5. Raccorder le fil 3 (bleu) du foyer au fil L1 (noir) de l'interrupteur mural prioritaire en utilisant un capuchon de connexion (non fourni).
6. Raccorder l'autre extrémité du fil L1 (noir) de l'interrupteur mural prioritaire à la borne L1 de l'interrupteur mural prioritaire.
7. Raccorder le fil 4 (bleu) du foyer au fil N (blanc) de l'interrupteur mural prioritaire en utilisant un capuchon de connexion (non fourni).
8. Raccorder l'autre extrémité du fil N (blanc) de l'interrupteur mural prioritaire à la borne L2 de l'interrupteur mural prioritaire.
9. Raccorder le fil de mise à la terre (vert) du foyer au fil de mise à la terre (vert) de l'interrupteur mural prioritaire en utilisant un capuchon de connexion (non fourni).
10. Fixer le fil de mise à la terre (vert) restant au boîtier mural de l'interrupteur prioritaire à l'aide d'une vis de mise à la terre.
11. S'assurer que toutes les connexions sont bien serrées
12. Insérer le câblage de l'interrupteur mural dans le boîtier mural de l'interrupteur du foyer.
13. Réinsérer le câblage dans le foyer et le fixer à l'aide d'un serre-câble.



! **NOTA:** Ceci illustre le seul lien commutateur de chauffage, voir les sections précédentes pour les principaux instructions de connexion de puissance.

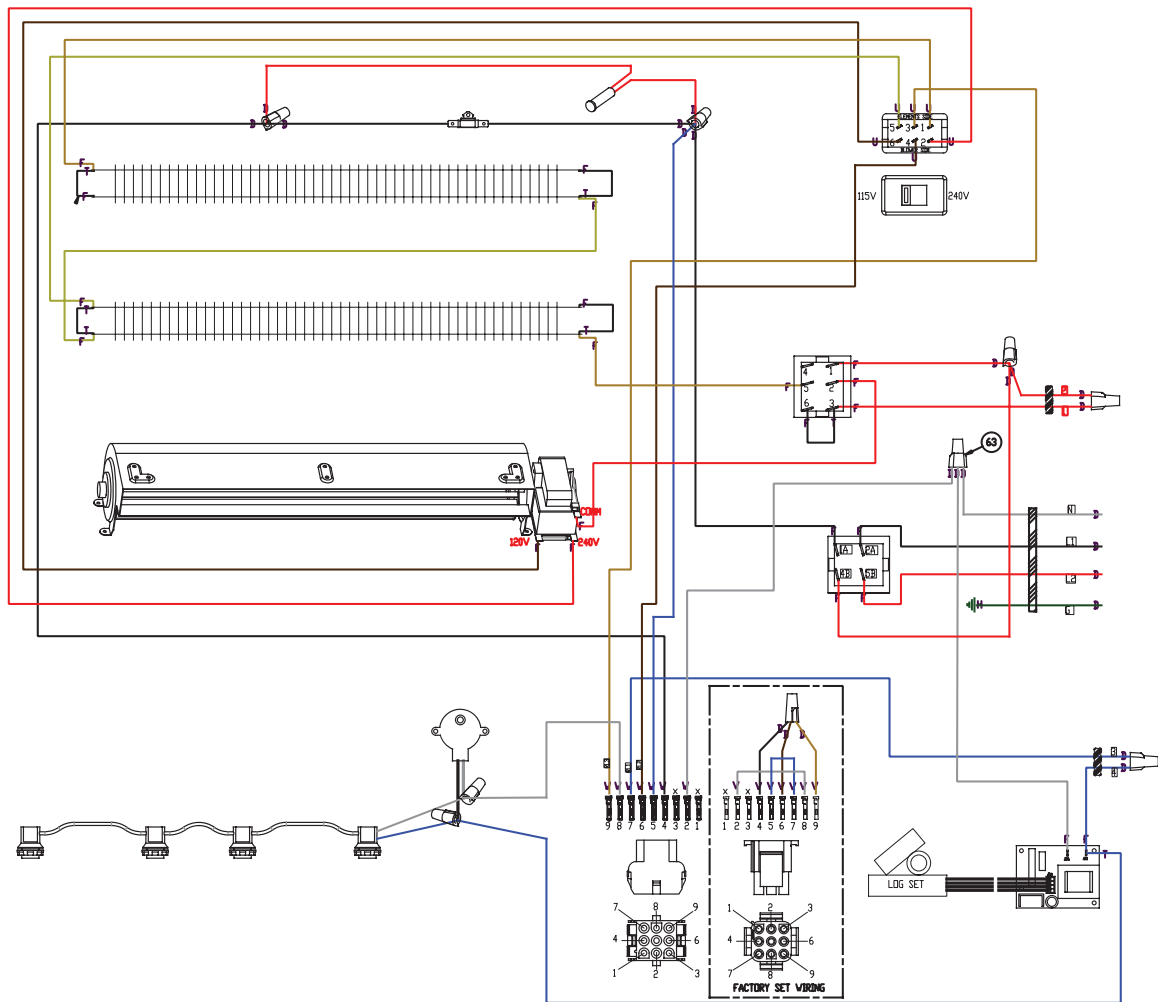
MUR TÉLÉCOMMANDE - WRCP-KIT

- Peut être utilisé pour les installations de 120 V ou 240 V
- Batterie ou 24V alimenté
- 50 pi (15m) plage de contrôle
- Thermostat
- Commande Marche / Arrêt de la flamme
- Commande Marche / Arrêt de la chaleur



1. Température ambiante
2. Réglage de la température
3. Effet de flamme
4. Fonction ventilateur
5. Indicateur de désactivation du chauffage
6. Indicateur de la fonction de verrouillage
7. Indicateur de la fonction de code RF
8. Baisse de la température
9. Augmentation de la température
10. Flamme éteinte
11. Flamme allumée
12. Désactivation de la fonction ventilateur
13. Activation de la fonction ventilateur
14. Indicateur de piles faibles

CIRCUIT DE CÂBLAGE



! NOTA: Les modèles standard ne disposent pas d'un contrôleur log



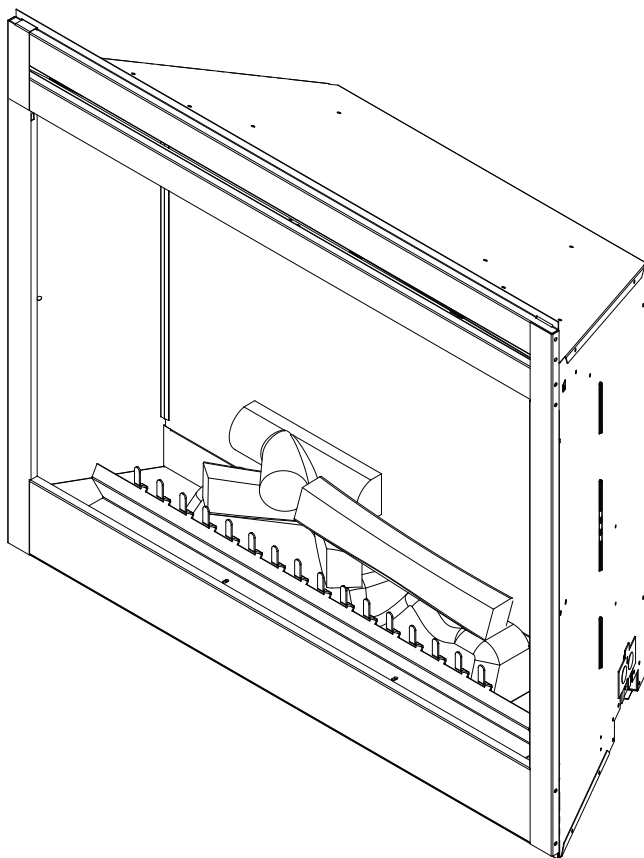
1 888 346-7539 | www.dimplex.com

Dans le cadre de notre politique d'amélioration continue de nos produits, nous nous réservons le droit de modifier les spécifications sans préavis.

© 2018 Glen Dimplex Americas

Glen Dimplex
AMERICAS

Améliorer les moments qui comptent plus dans la vie



GUÍA DE INSTALACIÓN

Modelo

BF33STP/DXP

BF39STP/DXP

BF45DXP

INFORMACIÓN DE SEGURIDAD IMPORTANTE: Lea este manual antes de intentar instalar o usar este calentador de aire. Para su seguridad, tome en cuenta todas las advertencias e instrucciones de seguridad de este manual para evitar lesiones corporales o daños materiales.

Para ver toda la línea de productos Dimplex, visite www.dimplex.com

7206350500R09

Listado y códigos de homologación	3
Especificaciones del modelo	3
Instalación paso a paso	3
Sección A: Información de instalación	4
Estructura	4
Pestañas de montaje	4
Sección B: Información eléctrica general	5
Especificaciones recomendadas para la instalación eléctrica	5
Ubicación del interruptor de selección del voltaje	5
Sección C: Cableado de alimentación directa	6
Instalación 240 Volt.	6
Instalación 120 Volt.	6
Instalación 120 Volt - sin instalación de calor	7
Sección D: Opciones alternativas de control	8
Instalación 240V de alimentación principal de interruptor de pared	8
Instalación 120V de alimentación principal de interruptor de pared	9
Instalación 120V de alimentación principal de interruptor de pared - sin instalación de calor	10
Calentador de pared Interruptor de Control para las instalaciones de 120/240 voltios	11
Conexión del termostato de pared para las instalaciones de 120/240 voltios	12
Montado en la pared Flame conmutador de anulación para las instalaciones de 120/240 voltios	13
Remoto de Pared - WRCP-KIT	14
Diagrama de conexión eléctrica	14

! NOTA: Procedimientos y técnicas que se considera importante destacar.

⚠ PRECAUCIÓN: En caso de no seguir los procedimientos y técnicas cuidadosamente, se dañará el equipo.

⚠ ADVERTENCIA: Procedimientos y técnicas que, en caso de no seguirse cuidadosamente, expondrán al usuario a riesgo de incendio, lesión grave o muerte.

LISTADO Y CÓDIGOS DE HOMOLOGACIÓN

Los calentadores de aire de la serie BF han sido testados de acuerdo con las normas UL 2021 y CSA C22.2 n° 46 para los calentadores domésticos fijos y para una ubicación específica.

ESPECIFICACIONES DEL MODELO

Número de Modelo	Descripción	Voltios	Vatios nominales	Control remoto	Termostato de pared	Ladrillo refractario	AMP.			
							Sin calefacción 120 voltios	120 voltios	208 voltios	240 voltios
BF45DXP	45" de lujo	120/120/ 208/240	245/1440/ 2100/2700	Opcional	Opcional	Incluido	2.0	12.0	10.10	11.25
BF39DXP	39" de lujo					Incluido	2.0	12.0	10.10	11.25
BF39STP	39" estándar					No aplicable	2.0	12.0	10.10	11.25
BF33DXP	33" de lujo					Incluido	2.0	12.0	10.10	11.25
BF33STP	33" estándar					No aplicable	2.0	12.0	10.10	11.25

! **NOTA:** Las potencias nominales indicadas incluyen las bombillas y el motor (275 W).

La instalación del calentador de aire debe cumplir con la normativa local y nacional vigente, y con los requisitos de servicio. Debería confiarse su instalación a personal debidamente homologado según la legislación vigente.

INSTALACIÓN PASO A PASO

! **NOTA:** Por favor, lea todas las instrucciones antes de proceder a realizar la instalación.

- Hacer la abertura de encuadrado siguiendo las dimensiones recomendadas que hallarán en la Sección A: Estructura.
- Deje 20,3 cm (8") de cable fuera para conectar el cable de alimentación a la caja de conexiones del calentador de aire cuando se instale éste antes de acabar la pared. Deje 122 cm (4 pies) de cable fuera para conectar el cable de alimentación a la caja de conexiones del calentador de aire cuando se instale éste después de acabar la pared. Quite la funda exterior y pele cada uno de los conductores unos 12 mm (½").
- Afloje el tornillo que fija la tapa de la caja de conexiones y quite la tapa.
- Quite los separadores, si fuera necesario, o utilice la mordaza del cable que se suministra.
- Coloque el aparato en posición dentro de la abertura con marco, nivélelo con calzos si fuera necesario y fije el aparato dentro de la estructura utilizando las pestañas de montaje que se suministran (Figura 2).
- El aparato lleva una conexión eléctrica de fábrica para una toma de 208/240 voltios. Si se necesita que funcione con 120 voltios, cambie la posición del interruptor y reconfigure la instalación eléctrica (Sección C). Los cables L1, L2, N y G son fácilmente accesibles desde la parte posterior de la abrazadera de los cables en la caja de conexiones.

! **NOTA:** Si el aparato de conexión va a funcionar **SIN** calor, no es necesario un circuito especial.

- Conecte un circuito especial con un fusible de 15 amperios de potencia nominal para el voltaje adecuado (120, 208/240). Ver la Sección C respecto a la conexión eléctrica de fábrica.
- Realice las conexiones del interruptor o del termostato en la pared, tal y como se indica en la Sección D: Conexión eléctrica.
- Coloque todos los conectores dentro del aparato y fije la tapa de la caja de conexiones al aparato. Compruebe que la mordaza del cable sólo sujeta la funda del cable de servicio, del termostato y, si es el caso, de las líneas eléctricas a los interruptores de la pared.

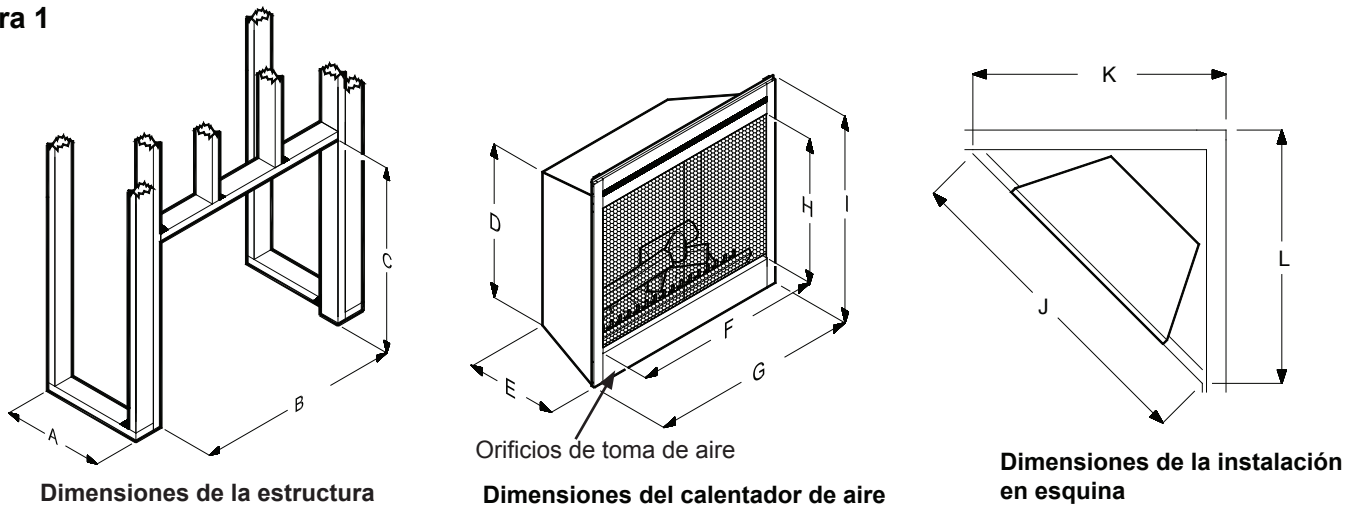
ADVERTENCIA: Compruebe que el método de instalación NO tapona en ningún modo los orificios de entrada de aire en la parte frontal inferior del aparato. (Ver el diagrama de la Sección A).

SECCIÓN A: INFORMACIÓN DE INSTALACIÓN

ESTRUCTURA

Modelo	A	B -0 / +0.1	C -0 / +0.1	D	E	F	G	H	I	J	K	L
BF45DXP	16.0" (40.5cm)	45" (114.3cm)	32.9" (83.6cm)	30.1" (76.5cm)	15.3" (38.9cm)	42.0" (106.7cm)	44.7" (113.5cm)	22.8" (57.9cm)	32.7" (83.1cm)	60.0" (152.4cm)	42.0" (106.7cm)	42.0" (106.7cm)
BF39STP/DXP	16.0" (40.5cm)	39" (99.1cm)	32.9" (83.6cm)	30.1" (76.5cm)	15.3" (38.9cm)	36.0" (91.4cm)	38.7" (98.3cm)	22.8" (57.9cm)	32.7" (83.1cm)	54.0" (137.2cm)	38.0" (96.5cm)	38.0" (96.5cm)
BF33STP/DXP	15.0" (38.1cm)	33.1" (84.1cm)	28.7" (72.9cm)	25.7" (65.3cm)	14.3" (36.3cm)	29.6" (75.2cm)	32.8" (83.3cm)	18.8" (47.8cm)	28.5" (72.4cm)	48.0" (121.9cm)	34.0" (86.4cm)	34.0" (86.4cm)

Figura 1



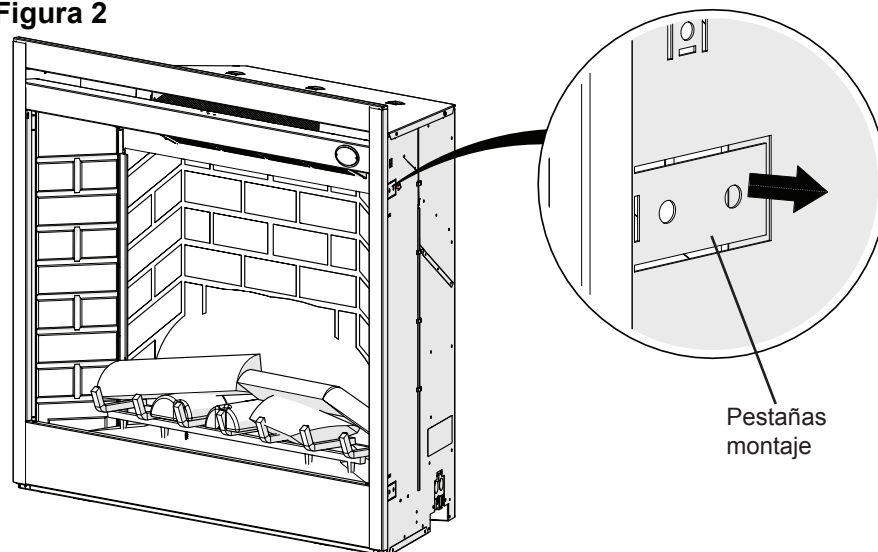
Este calentador de aire ha sido diseñado sin espacio de seguridad, con la excepción de la parte superior de la unidad, donde cualquier la protección aislante y contra el vapor debe colocarse a un mínimo de 5 cm (2") del aparato. No se pueden colocar combustibles en la superficie del calentador de aire.

⚠ PRECAUCIÓN: Asegurar la instalación no permite chimenea para estar en contacto directo con barrera de vapor edificio o de aislamiento y cumple con todos los códigos de construcción local.

Se suministran cuatro pestañas de montaje para los laterales del aparato y así facilitar la instalación.

PESTAÑAS DE MONTAJE

Figura 2



Hay dos pestañas de montaje situadas a cada lado de la inserción del calefactor de aire.

Doble las pestañas y móntelas dentro del encuadrado utilizando las herramientas adecuadas.

SECCIÓN B: INFORMACIÓN ELÉCTRICA GENERAL

ESPECIFICACIONES RECOMENDADAS PARA LA INSTALACIÓN ELÉCTRICA

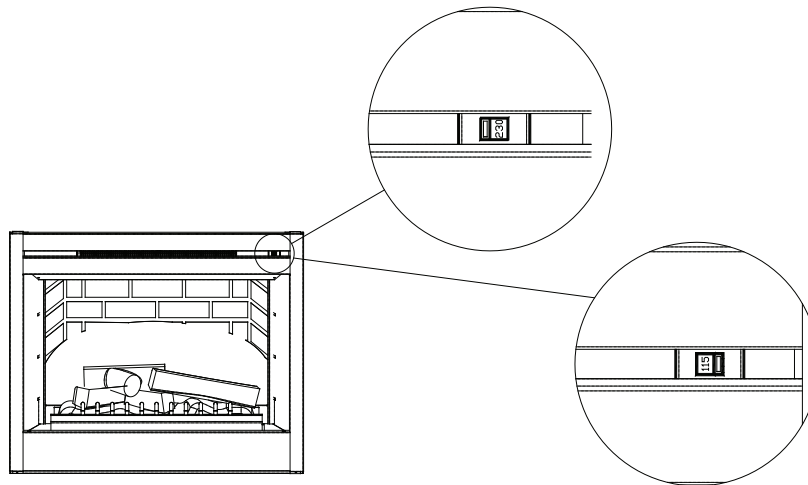
En las instalaciones de 120 voltios, utilice un cable con una funda no metálica, dos conductores y un cable de tierra (3 cables en total) para conectar el calentador de aire a la corriente. Utilice un cable adecuado, que cumpla con la normativa local y nacional para aquel consumo nominal.

En las instalaciones de 208/240 voltios, utilice un cable con una funda no metálica, tres conductores y un cable de tierra (4 cables en total) para conectar el calentador de aire a la corriente. Utilice un cable adecuado, que cumpla con la normativa local y nacional para aquel consumo nominal.

Se recomienda un cable con funda no metálica, dos conductores y un cable de tierra (3 cables en total) para instalar el termostato y/o el interruptor en la pared y conectarlos al calentador de aire. Utilice un cable adecuado, que cumpla con la normativa eléctrica local y nacional para aquel consumo nominal. El calibre de todos los cables debe coincidir con los tamaños recomendados y que se indican seguidamente.

Voltios	Calibre del Cable	Nominal del Fusible
120 voltios	calibre 14	15 Amp
208 voltios	calibre 14	15 Amp
240 voltios	calibre 14	15 Amp

UBICACIÓN DEL INTERRUPTOR DE SELECCIÓN DEL VOLTAJE



! IMPORTANTE: Compruebe que el voltaje de entrada concuerda con el seleccionado en el interruptor de selección.

! NOTA: El interruptor de selección de voltaje está situado dentro del panel de salida de aire de la esquina derecha de la parte superior.

⚠ PRECAUCIÓN: Cuando se cambie el interruptor de voltaje de 240 voltios a 120 voltios, compruebe que la corriente está desconectada.

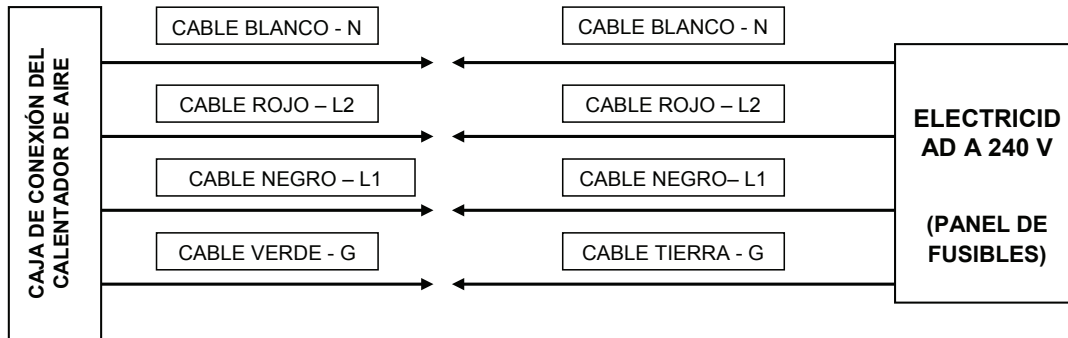
! NOTA: Con el debido cuidado, inserte un destornillador de cabeza plana dentro del panel de salida de aire para cambiar el interruptor a 240 voltios (posición 230) a 120 voltios (posición 115).

Cuando se conecta el aparato a 208/240 voltios el interruptor de voltaje debe estar en la posición de 230 voltios.

Cuando se conecta el aparato a 120 voltios el interruptor de voltaje debe estar en la posición de 115 voltios.

SECCIÓN C: CABLEADO DE ALIMENTACIÓN DIRECTA

INSTALACIÓN 240 VOLT



! **IMPORTANTE:** El aparato está configurado de fábrica para funcionar a 208/240 voltios.

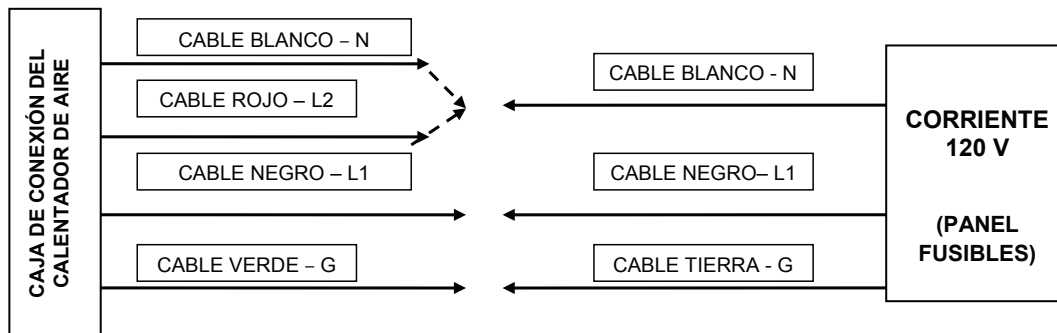
! **NOTA:** Utilice un cable con 3 conductores y 1 de tierra (4 cables en total) de conexión a la red (panel de disyuntores) a la caja de conexiones del aparato.

! **NOTA:** Todas las conexiones deben estar listas antes de instalar el aparato.

! **NOTA:** Compruebe que el interruptor de voltaje está en la posición correcta para dicho voltaje antes de conectar el aparato a la corriente.

1. Localice el interruptor de voltaje dentro del panel de salida de aire en la esquina superior derecha del aparato. **Compruebe que el interruptor está en la posición de 240 voltios. (en el interruptor está impreso 230).**
2. Afloje el tornillo que fija la tapa de la caja de conexiones y quite la tapa.
3. Quite los separadores, si fuera necesario, o utilice la mordaza del cable que se suministra.
4. Tire de los cuatro cables marcados L1, L2, N y G.
5. Conecte el cable L1 (negro) del aparato con el cable L1 (negro) de la toma de corriente.
6. Conecte el cable L2 (rojo) del aparato con el cable L2 (rojo) de la toma de corriente.
7. Conecte el cable N (blanco) del aparato al cable neutro (blanco) de la toma de corriente.
8. Conecte el cable de tierra (verde) del aparato al de tierra de la toma de corriente.
9. Compruebe que ninguna de las conexiones están sueltas.
10. Inserte todo el cableado otra vez dentro del aparato y fíjelo con la sujeción de los cables.

INSTALACIÓN 120 VOLT



! **IMPORTANTE:** El aparato está configurado de fábrica para funcionar a 208/240 voltios.

! **NOTA:** Utilice un cable con 2 conductores y 1 de tierra (3 cables en total) de conexión a la red (panel de disyuntores) a la caja de conexiones del aparato.

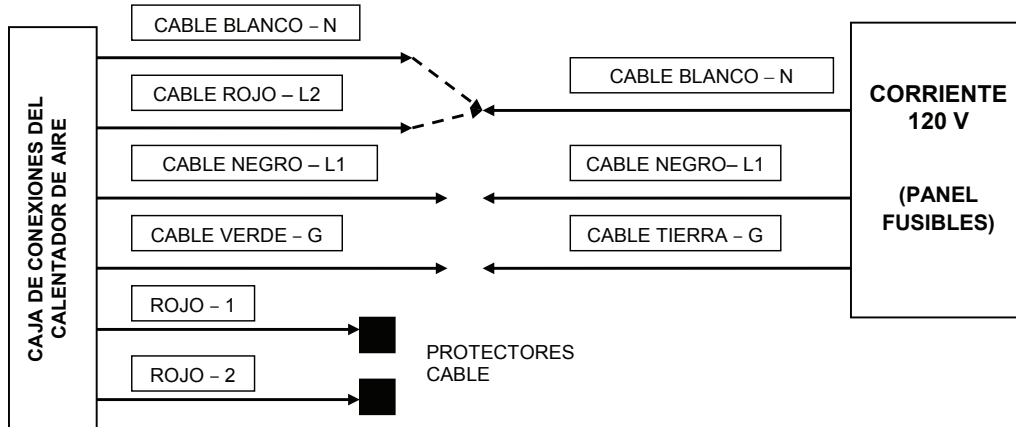
! **NOTA:** Todas las conexiones deben estar listas antes de instalar el aparato.

! **NOTA:** Compruebe que el interruptor de voltaje está en la posición correcta para dicho voltaje antes de conectar el aparato a la corriente.

1. Localice el interruptor de voltaje dentro del panel de salida de aire en la esquina superior derecha del aparato. **Cambie el interruptor de 240 voltios a 120 voltios (en el interruptor está impreso 230 y 115).**
2. Afloje el tornillo que fija la tapa de la caja de conexiones y quite la tapa.

3. Quite los separadores, si fuera necesario, o utilice la mordaza del cable que se suministra.
4. Tire de los cuatro cables marcados L1, L2, N y G.
5. Conecte el cable L1 (negro) del aparato con el cable L1 (negro) de la toma de corriente.
6. Conecte el cable L2 (rojo) y el N (blanco) desde el aparato al cable neutral (blanco) de la toma de corriente.
7. Conecte el cable de tierra (verde) del aparato al de tierra de la toma de corriente.
8. Cuando el aparato ha sido configurado para el voltaje de corriente adecuado, compruebe que ninguna de las conexiones esté suelta.
9. Inserte todo el cableado otra vez dentro del aparato y fíjelo con la sujeción de los cables.

INSTALACIÓN 120 VOLT - SIN INSTALACIÓN DE CALOR



! **IMPORTANTE:** El aparato está configurado de fábrica para funcionar a 208/240 voltios.

! **NOTA:** Utilice un cable con 2 conductores y 1 de tierra (3 cables en total) de conexión a la red (panel de disyuntores) a la caja de conexiones del aparato.

! **NOTA:** Todas las conexiones deben estar listas antes de instalar el aparato.

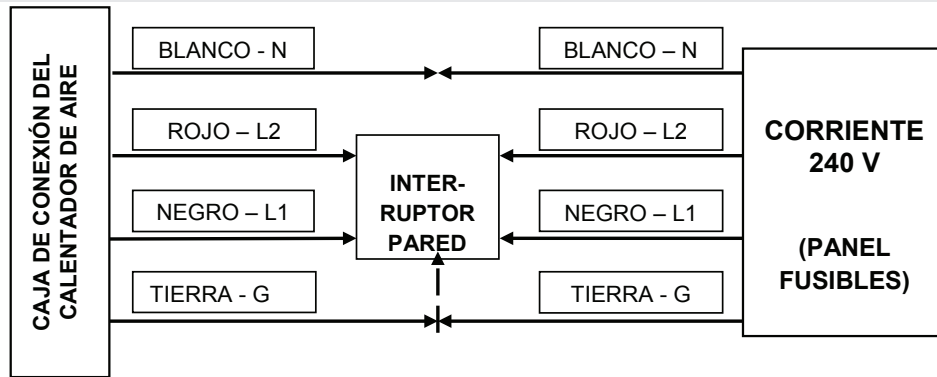
! **NOTA:** Compruebe que el interruptor de voltaje está en la posición correcta para dicho voltaje antes de conectar el aparato a la corriente.

! **NOTA:** En este aparato el ventilador funcionará sin calor.

1. Localice el interruptor de voltaje dentro del panel de salida de aire en la esquina superior derecha del aparato.
Cambie el interruptor de 240 voltios a 120 voltios (en el interruptor está impreso 230 y 115).
2. Afloje el tornillo que fija la tapa de la caja de conexiones y quite la tapa.
3. Quite los separadores, si fuera necesario, o utilice la mordaza del cable que se suministra.
4. Tire de los cuatro cables marcados L1, L2, N y G.
5. Conecte el cable L1 (negro) del aparato con el cable L1 (negro) de la toma de corriente.
6. Conecte el cable L2 (rojo) y el N (blanco) desde el aparato al cable blanco neutral de la toma de corriente.
7. Conecte el cable de tierra (verde) del aparato al de tierra de la toma de corriente.
8. Localice y separe con un protector el 1 (rojo) y el 2 (rojo).
9. Cuando el aparato ha sido configurado para el voltaje de corriente adecuado, compruebe que ninguna de las conexiones esté suelta.
10. Inserte todo el cableado otra vez dentro del aparato y fíjelo con la sujeción de los cables.

SECCIÓN D: OPCIONES ALTERNATIVAS DE CONTROL

INSTALACIÓN 240V DE ALIMENTACIÓN PRINCIPAL DE INTERRUPTOR DE PARED



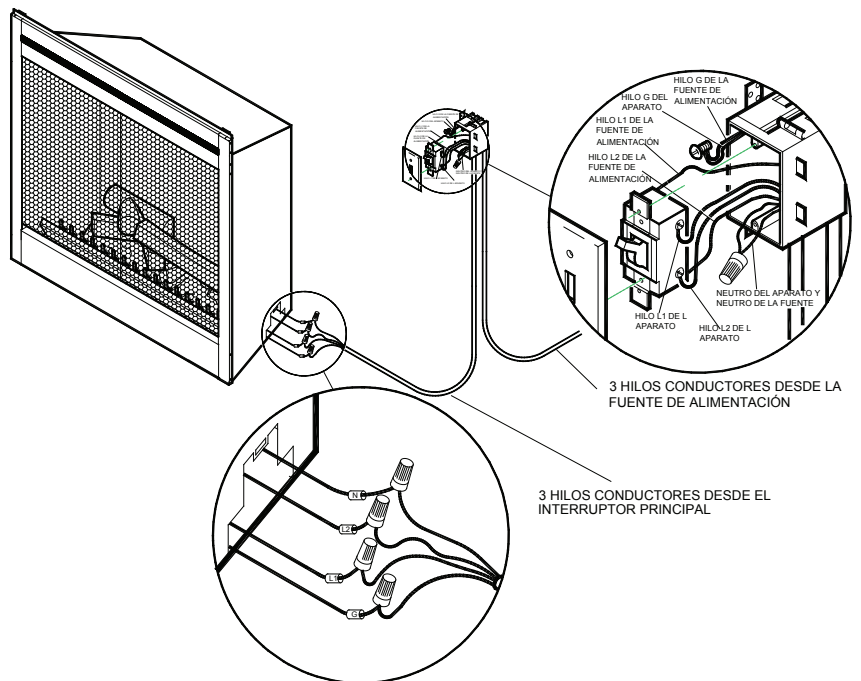
! **NOTA:** No debería utilizarse esta opción con el juego de control remoto.

! **NOTA:** Antes de instalar el aparato, deberá haber conectado los siguientes cables:

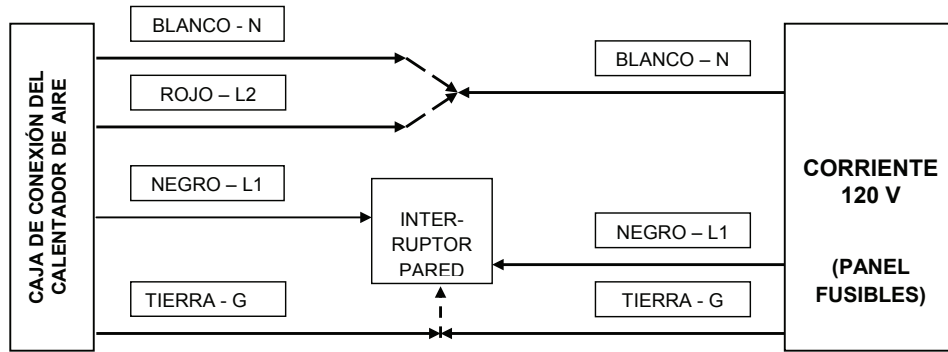
1. Un cable con 3 conductores y 1 de tierra (4 cables en total) desde la toma de corriente hasta la caja del interruptor de la pared.
2. Un cable con 3 conductores y 1 de tierra (4 cables en total) desde la caja del interruptor de la pared hasta la caja de conexiones del aparato.

! **NOTA:** Utilice un interruptor de pared de doble polaridad y una única pulsación (encendido/apagado) con un nominal mínimo de 15 amperios.

1. Localice el interruptor de voltaje dentro del panel de salida de aire en la esquina superior derecha del aparato **Compruebe que el interruptor está en la posición de 240 voltios (en el interruptor está impreso 230).**
2. Afloje el tornillo que fija la tapa de la caja de conexiones y quite la tapa.
3. Quite los separadores, si fuera necesario, o utilice la mordaza del cable que se suministra.
4. Saque los cuatro cables marcados como L1, L2, N y G (negro, rojo, blanco y verde).
5. Conecte el cable L1 (negro) del aparato al cable L1 (negro) del interruptor de la pared utilizando una regleta (no se suministra).
6. Conecte el otro extremo del cable L1 (negro) del interruptor de la pared al terminal L1 del interruptor de la pared.
7. Conecte el cable L2 (rojo) del aparato al cable L2 (rojo) del interruptor de la pared utilizando una regleta (no se suministra).
8. Conecte el otro extremo del cable L2 (rojo) del interruptor de la pared al terminal L2 del interruptor de la pared.
9. Conecte el cable N (blanco) del aparato al cable N (blanco) del interruptor de la pared utilizando una regleta (no se suministra).
10. Conecte el cable Tierra (verde) del aparato al cable Tierra (verde) del interruptor de la pared utilizando una regleta (no se suministra).
11. Conecte el cable L1 (rojo o negro) de la corriente al terminal L1 del interruptor de la pared.
12. Conecte el cable L2 (negro) de la corriente al terminal L2 del interruptor de la pared.
13. Conecte el cable N (blanco) desde la corriente al cable N (blanco) que queda desde el aparato utilizando una regleta.
14. Fije los 2 cables de Tierra (verdes) restantes con un tornillo de tierra en la caja del interruptor.
15. Compruebe que ninguna de las conexiones están sueltas.
16. Inserte todo el cableado del interruptor de la pared dentro de la caja del interruptor.
17. Inserte todo el cableado otra vez dentro del aparato y fíjelo con la sujeción de los cables.



INSTALACIÓN 120V DE ALIMENTACIÓN PRINCIPAL DE INTERRUPTOR DE PARED



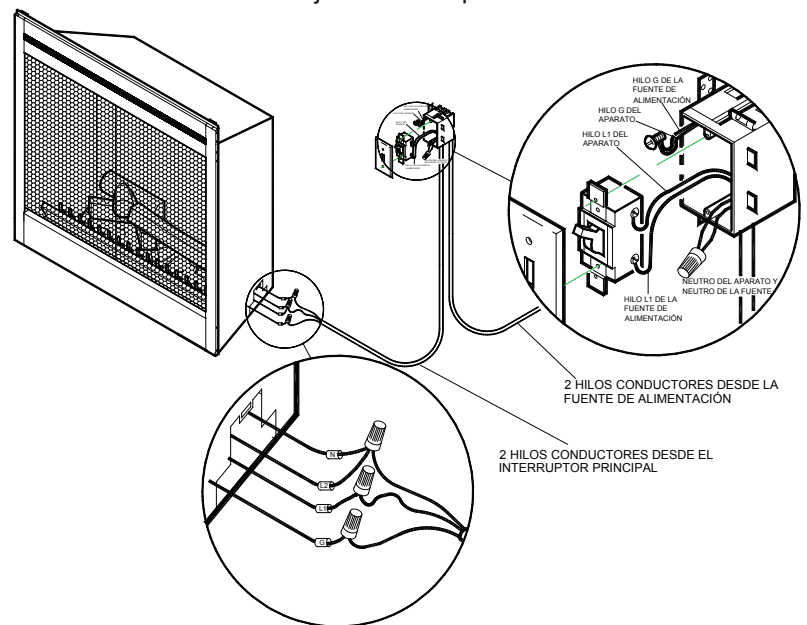
! **NOTA:** No debería utilizarse esta opción con el juego de control remoto.

! **NOTE:** Antes de instalar el aparato, deberá haber conectado los siguientes cables:

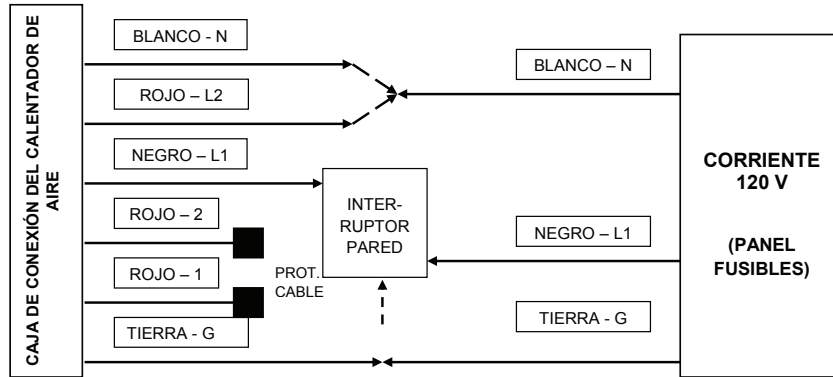
1. 1 cable con 3 conductores y 1 de tierra (3 cables en total) desde la toma de corriente hasta la caja del interruptor de la pared.
2. Un cable con 2 conductores y 1 de tierra (3 cables en total) desde la caja del interruptor de la pared hasta la caja de conexiones del aparato.

! **NOTA:** Utilice un interruptor de pared de una sola polaridad y una única pulsación (encendido/apagado), con un nominal mínimo de 15 amperios.

1. Localice el interruptor de voltaje dentro del panel de salida de aire en la esquina superior derecha del aparato.
Compruebe que el interruptor está en la posición de 120 voltios (en el interruptor está impreso 115).
2. Afloje el tornillo que fija la tapa de la caja de conexiones y quite la tapa.
3. Quite los separadores, si fuera necesario, o utilice la mordaza del cable que se suministra.
4. Saque los cuatro cables marcados como L1, L2, N y G (negro, rojo, blanco y verde).
5. Conecte el cable L1 (negro) del aparato al cable L1 (negro) del interruptor de la pared utilizando una regleta (no se suministra).
6. Conectar el otro extremo del cable L1 (negro) al terminal L1 del interruptor de la pared.
7. Conecte el cable L2 (rojo) del aparato al cable N (blanco) del aparato al cable N (blanco) del interruptor de la pared utilizando una regleta (no se suministra).
8. Conecte el otro extremo del cable N (blanco) al cable N (blanco) del panel de la corriente utilizando una regleta (no se suministra).
9. Conecte el cable Tierra (verde) del aparato al cable Tierra (verde) del interruptor de la pared utilizando una regleta (no se suministra).
10. Conecte el cable L1 (negro) de la corriente al terminal L1 del interruptor de la pared.
11. Fije los 2 cables de Tierra (verdes) restantes con un tornillo de tierra en la caja del interruptor.
12. Compruebe que ninguna de las conexiones están sueltas.
13. Inserte todo el cableado del interruptor de la pared dentro de la caja del interruptor.
14. Inserte todo el cableado otra vez dentro del aparato y fíjelo con la sujeción de los cables.



INSTALACIÓN 120V DE ALIMENTACIÓN PRINCIPAL DE INTERRUPTOR DE PARED - SIN INSTALACIÓN DE CALOR



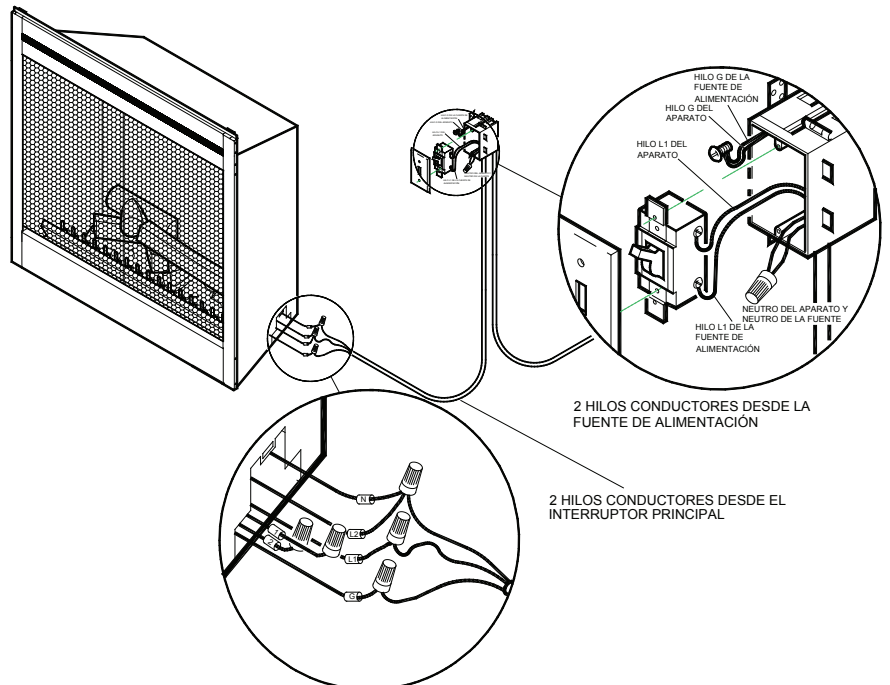
! **NOTA:** No debería utilizarse esta opción con el juego de control remoto.

! **NOTE:** Antes de instalar el aparato, deberá haber conectado los siguientes cables:

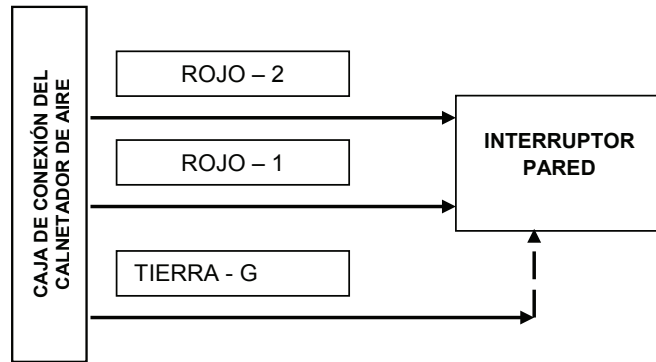
1. 1 cable con 3 conductores y 1 de tierra (3 cables en total) desde la toma de corriente hasta la caja del interruptor de la pared.
2. Un cable con 2 conductores y 1 de tierra (3 cables en total) desde la caja del interruptor de la pared hasta la caja de conexiones del aparato.

! **NOTA:** Utilice un interruptor de pared de una sola polaridad y una única pulsación (encendido/apagado), con un nominal mínimo de 15 amperios.

1. Localice el interruptor de voltaje dentro del panel de salida de aire en la esquina superior derecha del aparato.
Compruebe que el interruptor está en la posición de 120 voltios. (En el interruptor está impreso 115.)
2. Afloje el tornillo que fija la tapa de la caja de conexiones y quite la tapa.
3. Quite los separadores, si fuera necesario, o utilice la mordaza del cable que se suministra.
4. Saque los cuatro cables marcados como L1, L2, N y G (negro, rojo, blanco y verde).
5. Conecte el cable L1 (negro) del aparato al cable L1 (negro) del interruptor de la pared utilizando una regleta (no se suministra).
6. Conectar el otro extremo del cable negro L1 al terminal L1 del interruptor de la pared.
7. Conecte el cable L2 (rojo) del aparato al cable N (blanco) del aparato al cable N (blanco) del interruptor de la pared utilizando una regleta (no se suministra).
8. Conecte el otro extremo del cable N (blanco) al cable N (blanco) del panel de la corriente utilizando una regleta (no se suministra).
9. Conecte el cable Tierra (verde) del aparato al cable Tierra (verde) del interruptor de la pared utilizando una regleta (no se suministra).
10. Conecte el cable L1 (negro) de la corriente al terminal L1 del interruptor de la pared.
11. Localice y separe con un protector el 1 (rojo) y el 2 (rojo).
12. Fije los 2 cables de Tierra (verdes) restantes con un tornillo de tierra en la caja del interruptor.
13. Compruebe que ninguna de las conexiones están sueltas.
14. Inserte todo el cableado del interruptor de la pared dentro de la caja del interruptor.
15. Inserte todo el cableado otra vez dentro del aparato y fíjelo con la sujeción de los cables.



CALENTADOR DE PARED INTERRUPTOR DE CONTROL PARA LAS INSTALACIONES DE 120/240 VOLTIOS

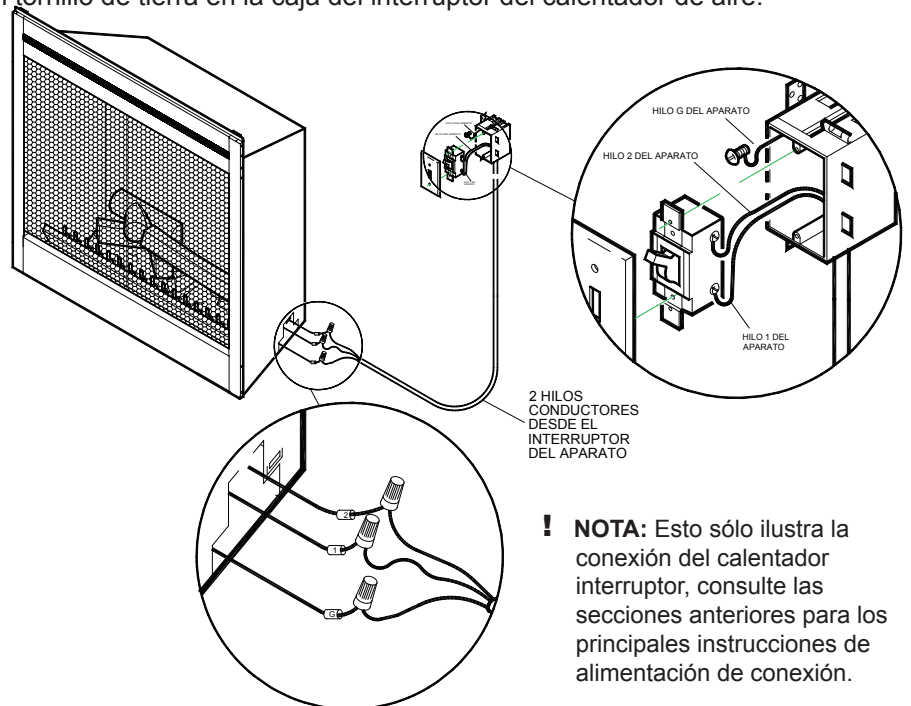


! NOTA: Antes de instalar el aparato, complete lo siguiente:

1. Instale la conexión de alimentación principal con el cableado apropiado - directamente a la red eléctrica o por medio de un interruptor de pared.
2. Instale un cable con 2 conductores y 1 de tierra (3 cables en total) desde la caja del interruptor del calentador de aire hasta la caja de conexiones del aparato.

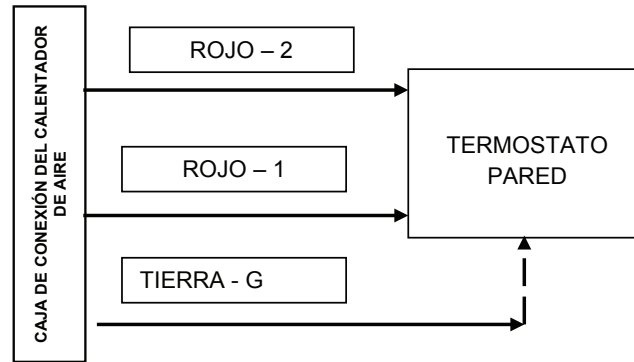
! NOTA: Utilice un interruptor de pared (encendido/apagado) con un nominal mínimo de 15 amperios.

1. Afloje el tornillo que fija la tapa de la caja de conexiones y quite la tapa.
2. Quite los separadores, si fuera necesario, o utilice la mordaza del cable que se suministra.
3. Saque los tres cables marcados como 1, 2 y G (rojo, rojo y verde).
4. Quite la regleta del cable y separe los cables marcados como 1 y 2.
5. Conecte el cable L1 (rojo) del aparato al cable L1 (negro) del interruptor de la pared del calentador de aire utilizando una regleta (no se suministra).
6. Conecte el otro extremo del cable L1 (negro) del interruptor de la pared del calentador de aire al terminal L1 del interruptor de la pared del calentador de aire.
7. Conecte el cable 2 (rojo) del aparato al cable N (blanco) del interruptor de la pared del calentador de aire utilizando una regleta (no se suministra).
8. Conecte el otro extremo del cable N (blanco) del interruptor de la pared del calentador de aire al terminal L2 del interruptor de la pared del calentador de aire.
9. Conecte el cable Tierra (verde) del aparato al cable Tierra (verde) del interruptor de la pared del calentador de aire utilizando una regleta (no se suministra).
10. Fije el cable de Tierra (verde) restante con un tornillo de tierra en la caja del interruptor del calentador de aire.
11. Compruebe que ninguna de las conexiones están sueltas.
12. Inserte todo el cableado del interruptor de la pared del calentador de aire dentro de la caja del interruptor.
13. Inserte todo el cableado otra vez dentro del aparato y fíjelo con la sujeción de los cables.



! NOTA: Esto sólo ilustra la conexión del calentador interruptor, consulte las secciones anteriores para los principales instrucciones de alimentación de conexión.

CONEXIÓN DEL TERMOSTATO DE PARED PARA LAS INSTALACIONES DE 120/240 VOLTIOS



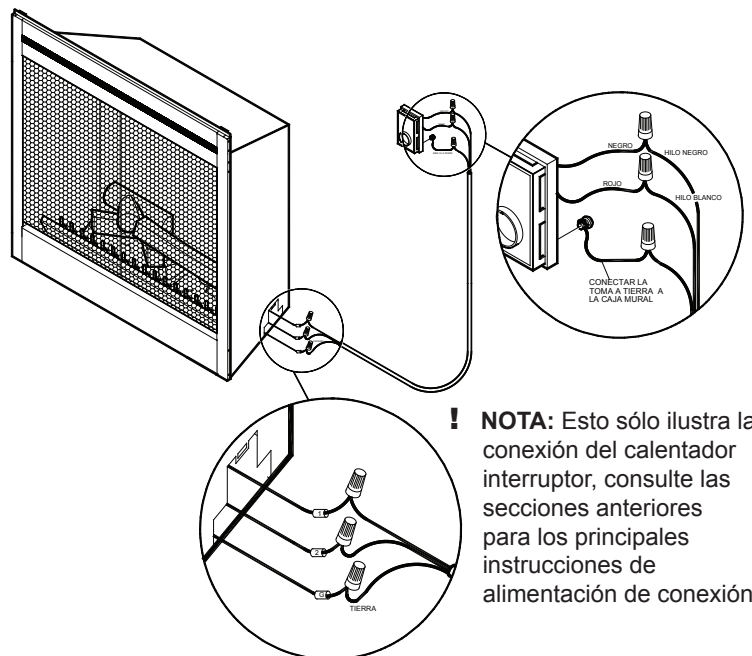
! NOTA: Antes de instalar el aparato, complete lo siguiente:

1. Instale la conexión de alimentación principal con el cableado apropiado - directamente a la red eléctrica o por medio de un interruptor de pared.
2. Instale un cable con 2 conductores y 1 de tierra (3 cables en total) desde la caja del interruptor del calentador de aire hasta la caja de conexiones del aparato.

! NOTA: Debe haberse realizado la conexión del termostato antes de instalar el aparato.

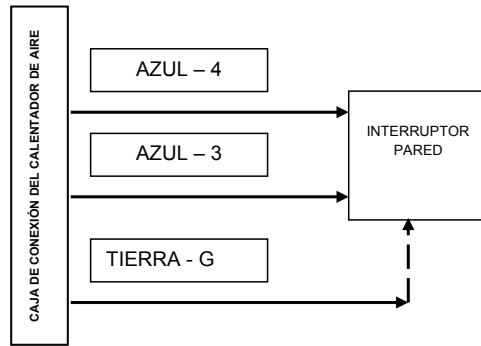
! NOTA: Las siguientes instrucciones de instalación son para un termostato de una única polaridad.

1. Afloje el tornillo que fija la tapa de la caja de conexiones y quite la tapa.
2. Quite los separadores, si fuera necesario, o utilice la mordaza del cable que se suministra.
3. Saque los tres cables marcados como 1, 2 y G (rojo, rojo y verde).
4. Quite la regleta del cable y separe los cables marcados como 1 y 2.
5. Conecte el cable 1 (rojo) desde el aparato al cable N (blanco) desde la caja del termostato en la pared utilizando una regleta (no se suministra).
6. Conecte el otro extremo del cable N (blanco) desde la caja del termostato en la pared al cable rojo del termostato en la pared.
7. Conecte el cable 2 (rojo) desde el aparato al cable negro desde la caja del termostato en la pared utilizando una regleta (no se suministra).
8. Conecte el otro extremo del cable negro desde la caja del termostato en la pared al cable negro del termostato en la pared.
9. Conecte el cable Tierra (verde) desde el aparato al cable Tierra (verde) desde la caja del termostato en la pared utilizando una regleta (no se suministra).
10. Conecte el otro extremo del cable Tierra (verde) al tornillo de tierra de la caja del termostato de la pared.
11. Compruebe que ninguna de las conexiones están sueltas.
12. Inserte todo el cableado del termostato de la pared dentro de la caja en la pared.
13. Inserte todo el cableado otra vez dentro del aparato y fíjelo con la sujeción de los cables.



! NOTA: Esto sólo ilustra la conexión del calentador interruptor, consulte las secciones anteriores para los principales instrucciones de alimentación de conexión.

MONTADO EN LA PARED FLAME COMNUTADOR DE ANULACIÓN PARA LAS INSTALACIONES DE 120/240 VOLTIOS



NO DISPONIBLE EN UNA INSTALACIÓN SIN CALOR

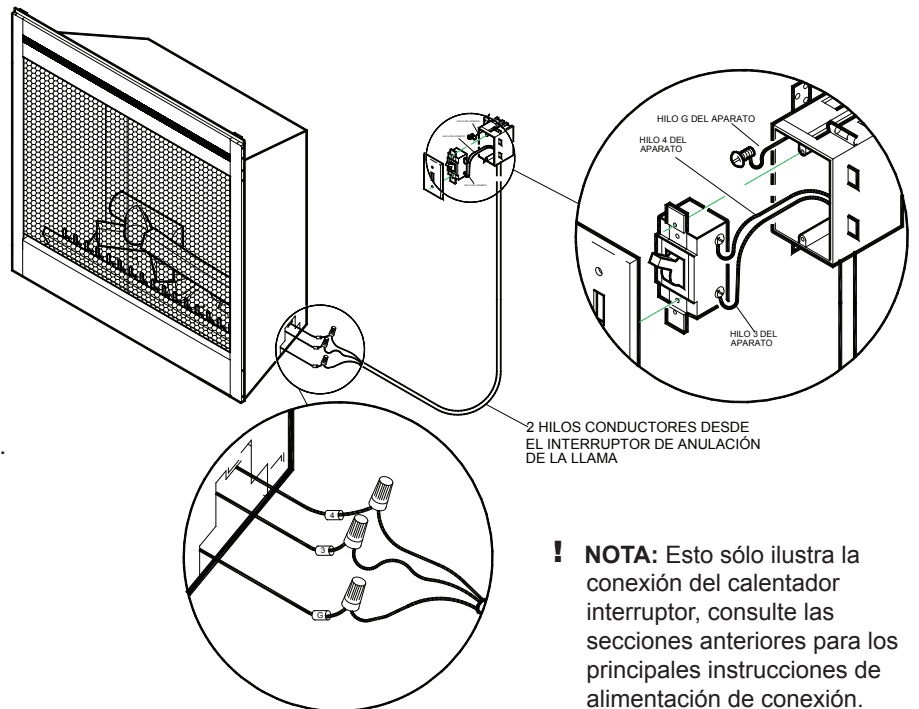
! **NOTA:** El calentador de aire se puede conectar para que un interruptor haga funcionar el calentador independientemente de las llamas.

! **NOTA:** Antes de instalar el aparato, complete lo siguiente:

1. Instale la conexión de alimentación principal con el cableado apropiado - directamente a la red eléctrica o por medio de un interruptor de pared.
2. Instale un cable con 2 conductores y 1 de tierra (3 cables en total) desde la caja del interruptor del calentador de aire hasta la caja de conexiones del aparato.

! **NOTA:** Utilice un interruptor de pared (encendido/apagado) con un nominal mínimo de 15 amperios.

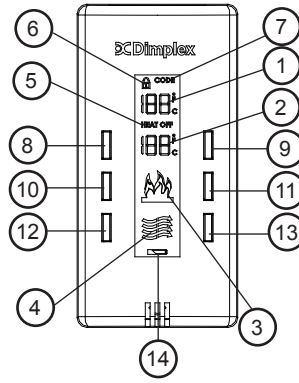
1. Afloje el tornillo que fija la tapa de la caja de conexiones y quite la tapa.
2. Quite los separadores, si fuera necesario, o utilice la mordaza del cable que se suministra.
3. Saque los tres cables marcados como 3, 4 y G (rojo, azul y verde).
4. Quite la regleta del cable y separe los cables marcados como 3 y 4.
5. Conecte el cable 3 (azul) del aparato al cable L1 (negro) del interruptor de la pared de la llama utilizando una regleta (no se suministra).
6. Conecte el otro extremo del cable L1 (negro) del interruptor de la pared de la llama al terminal L1 del interruptor de la pared de la llama.
7. Conecte el cable 4 (azul) del aparato al cable N (blanco) del interruptor de la pared de la llama utilizando una regleta (no se suministra).
8. Conecte el otro extremo del cable N (blanco) del interruptor de la pared de la llama al terminal L2 del interruptor de la pared de la llama.
9. Conecte el cable Tierra (verde) del aparato al cable Tierra (verde) del interruptor de la pared de la llama utilizando una regleta (no se suministra).
10. Fije el cable de Tierra (verde) restante con un tornillo de tierra en la caja del interruptor de la llama.
11. Compruebe que ninguna de las conexiones están sueltas.
12. Inserte todo el cableado del interruptor de la pared del calentador de aire dentro de la caja del interruptor.
13. Inserte todo el cableado otra vez dentro del aparato y fíjelo con la sujeción de los cables.



! **NOTA:** Esto sólo ilustra la conexión del calentador interruptor, consulte las secciones anteriores para los principales instrucciones de alimentación de conexión.

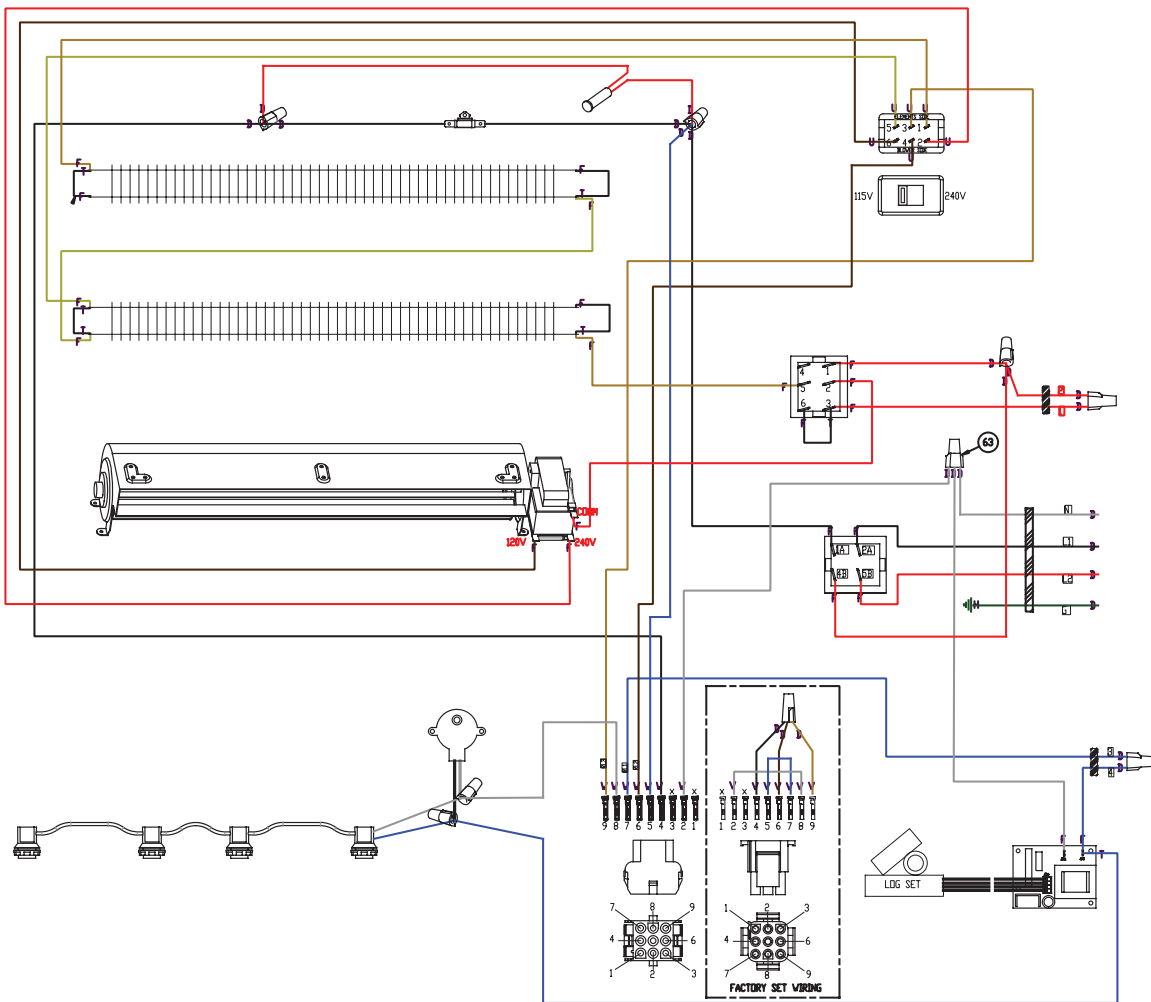
REMOTO DE PARED - WRCP-KIT

- Puede ser utilizado para las instalaciones de 120V o 240V
- Batería o con alimentación de 24 V
- 50' (15 m) del área de distribución de control
- Construido en el termostato
- Llama de encendido / apagado
- El calor de encendido / apagado



1. Temperatura de la habitación
2. Temperatura configurada
3. Efecto de llama
4. Sistema ventilador
5. Indicador Heat Off (calefactor apagado)
6. Indicador de bloqueo de función
7. Indicador de función Code (código) de RF
8. Configurar temperatura hacia abajo
9. Configurar temperatura hacia arriba
10. Llama apagada
11. Llama encendida
12. Apagar el sistema ventilador
13. Encender el sistema ventilador
14. Indicador de batería baja

DIAGRAMA DE CONEXIÓN ELÉCTRICA



! NOTA: Los modelos estándar no tiene un log conductor.



1-888-346-7539 | www.dimplex.com

De acuerdo con nuestra política de constante perfeccionamiento del producto, nos reservamos el derecho de hacer cambios sin previo aviso.

© 2018 Glen Dimplex Americas

Glen Dimplex
AMERICAS

Intensificando los momentos importantes de la vida