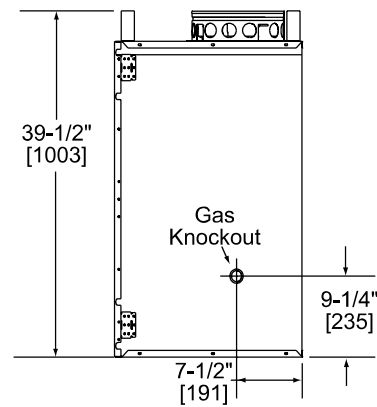
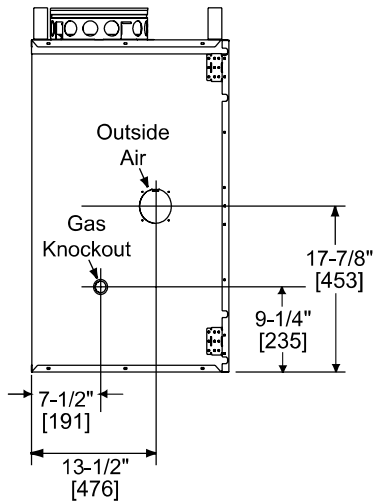
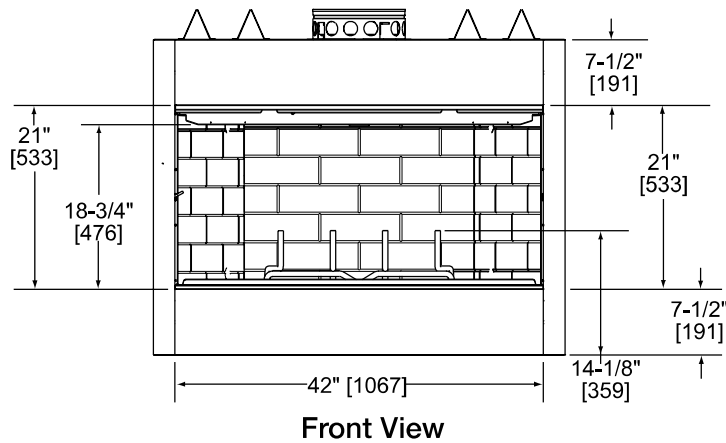
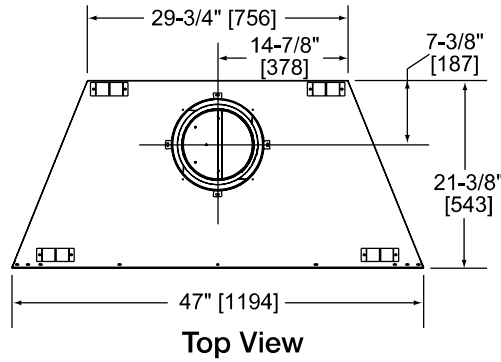


**MAJESTIC**

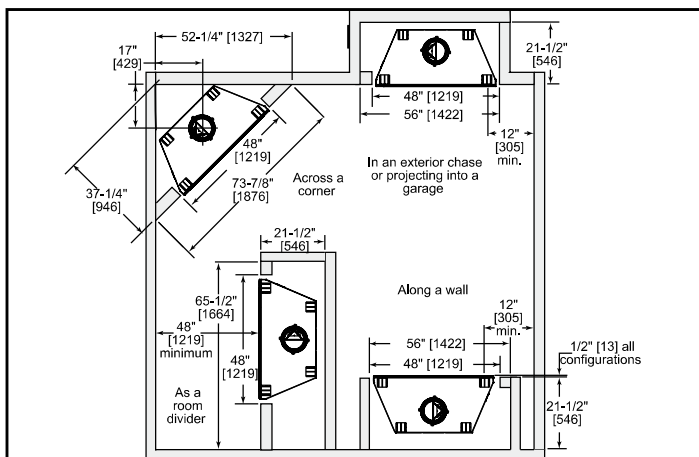
Please consult the manufacturer's installation manual for all details and requirements before making a final design layout decision.

**ROYALTON**  
42" Wood Fireplace

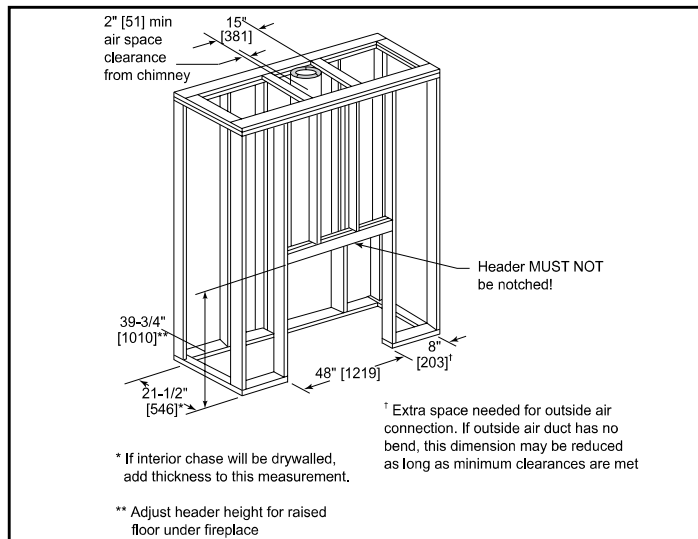
MODEL	FRONT WIDTH		BACK WIDTH		HEIGHT		DEPTH		FIREPLACE OPENING
	Actual	Framing	Actual	Framing	Actual	Framing	Actual	Framing	
BE42	47"	48"	29-3/4"	48"	39-1/2"	39-3/4"	21-3/8"	21-1/2"	42" x 21"



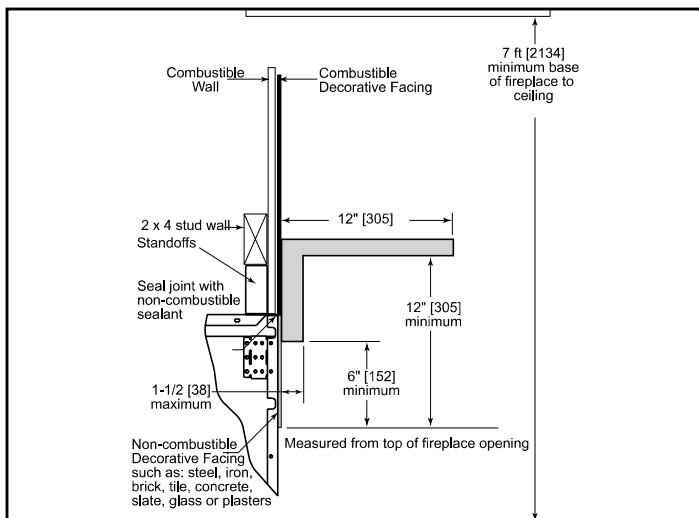
**APPLIANCE LOCATION**



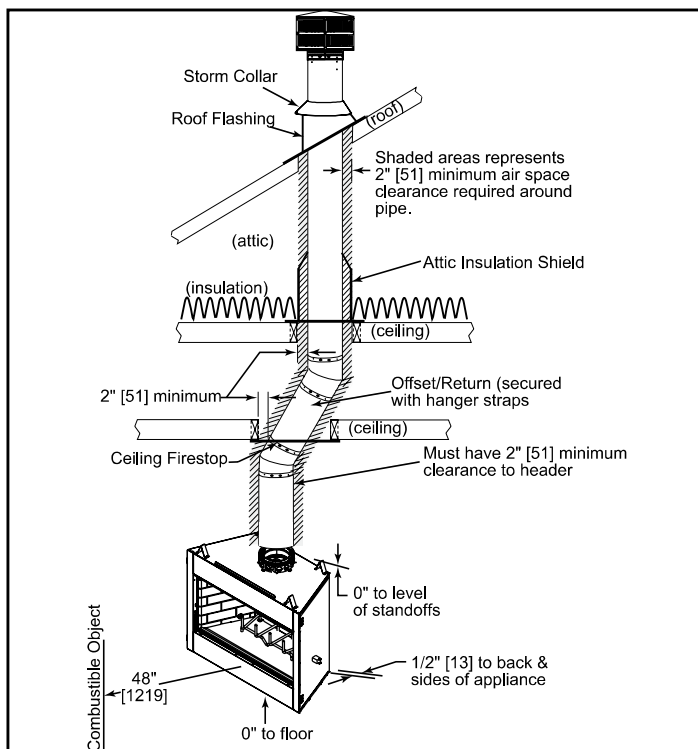
**FRAMING DIMENSIONS**



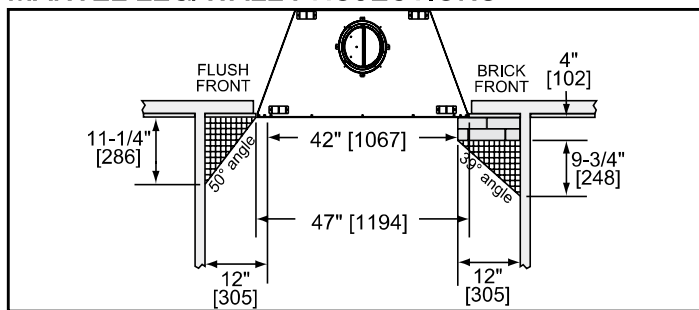
**MANTEL PROJECTIONS**



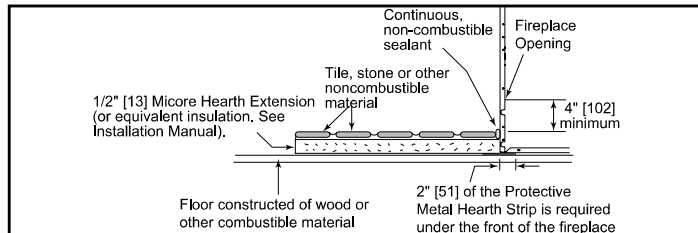
**CLEARANCES TO COMBUSTIBLES**



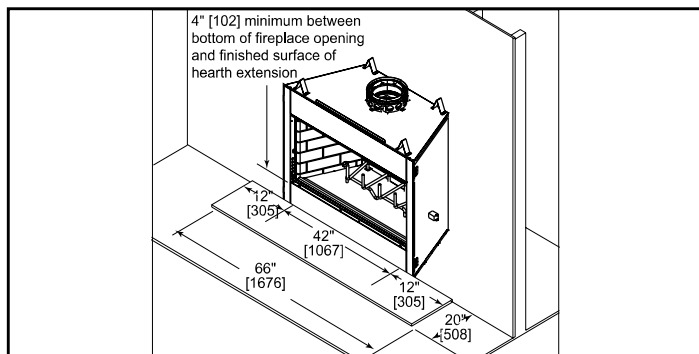
**MANTEL LEG/WALL PROJECTIONS**



**HEARTH EXTENSION CONSTRUCTION**



**HEARTH EXTENSIONS**



**PRODUCT LISTING CODES**

US	UL 127
CAN	ULC-S610

Product information provided is not complete and is subject to change without notice. Product installation must adhere strictly to instructions accompanying product to avoid risk of fire and potential injury.

Additional information can be found online at [www.majesticproducts.com](http://www.majesticproducts.com)